

Electromagnetic Locking



We take the worry out of
protecting what's valuable to you.
Lockwood: *no worries*[®]



ASSA ABLOY

5YEAR

TRICARE
WARRANTY

PADDE SERIES

www.lockweb.com.au

Contents



Z4 and Z8 Single Series Monitored

Electromagnetic Lock
page 3



Z4 and Z8 Double Series Monitored

Electromagnetic Lock
page 5



Z4 Recessed

Electromagnetic Lock
page 7



Weather Resistant

Electromagnetic Lock
page 9



Electromagnetic Lock

Accessories
page 11



Wall and Floor Mounted

Hold-Open Magnet
page 12

Z4 and Z8 Single Series Monitored



The Lockwood Padde Series Single Series Monitored Electromagnetic Locks, operate with holding forces from 200kg up to 450kg. These can also be used for doors that need to be monitored in terms of door position and if the door is locked.

Covering a range of applications the Z4 and Z8 Electromagnets are ideal for applications from cupboard doors through to high use commercial swing doors.

With fixing options including wood, aluminium and steel constructions, as well as glass door applications, the range caters to most electromagnetic needs.

Key Features

- Fail-safe: unlocks when power is removed
- Easy installation: suitable for both new and retrofit usage
- High holding force: refer to the technical data overleaf
- Self-alignment: armature plate pivots to accommodate door drop
- Silent operation: no humming or

buzzing

- Dual voltage: site selectable 12 or 24 Vdc
- Monitoring: reed switch monitoring on all models, hall-effect monitoring on Z4 and Z8 models
- Instantaneous release: smart electronics on the Z Series Electromagnets eliminate residual magnetism
- 5 Year Tricare Warranty (Padde Series)

Monitoring

Hall / Bond Monitoring

This indicates that the lock is powered and that the armature plate is in position and magnetically bonded (it monitors if the magnet is locked)

Reed Switch Monitoring

An integrated reed switch monitors the door position separately (it monitors the position of the door)

Applications

- Aluminium doors
- Glass doors
- IT storage rooms
- Access control
- Surface mount for inswing and outswing doors

Product Details

	Z4 Magnet	Z8 Magnet
Nominal Holding Force	200kg *	450kg *
Dimensions	(L)238 x (H)48 x (D) 27 mm	(L)266 x (H)72 x (D) 40 mm
Voltage	12Vdc/ 24Vdc ±10%	12Vdc/ 24Vdc ±10%
Current	450mA @ (12Vdc) 225mA @ (24Vdc)	512mA @ (12Vdc) 256mA @ (24Vdc)
Monitoring	Hall-Effect and Reed Switch	Hall-Effect and Reed Switch
Operating Temperature	-25 to 55 Degrees	-25 to 55 Degrees
Operating Humidity	0-95%	0-95%

* Stated Nominal Holding Force represents a reliable indicative measure of expected performance but it may vary depending on installation and environmental factors

Standards and Compliance



Successfully fire rated up to 4 hours on fire door assemblies in accordance with AS1905.1.2005 (Part 1: Fire Resistant Doorsets)



CE Approved



C-Tick Certified

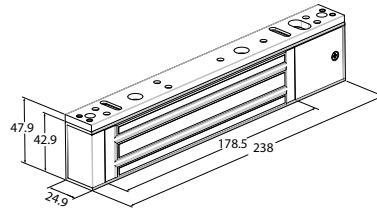


PADDE SERIES

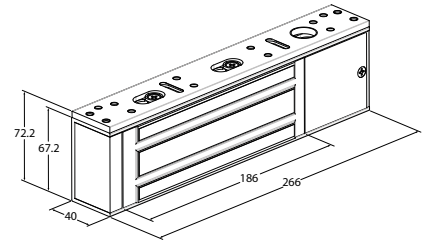
Z4 and Z8 Single Series Monitored



Z4 Electromagnetic Lock - Monitored



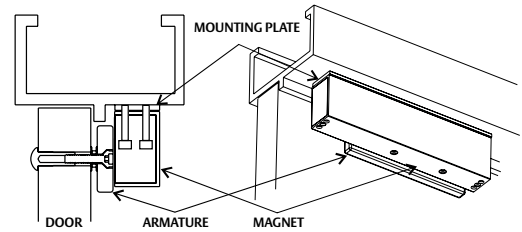
Z4 Electromagnetic Lock



Z8 Electromagnetic Lock



Z8 Electromagnetic Lock - Monitored



Typical Install for Z4 & Z8 out swinging doors.

Ordering Information

Part Number	Product Description
EMZ4-SM	EMZ4 E/Magnet 12/24Vdc Single Monitored
EMZ8-SM	EMZ8 E/Magnet 12/24Vdc Single Monitored
Accessories	
EMZ4B-SLZ	EMZ4 Bracket Single L & Z
EMZ4B-GU	EMZ4 Bracket Glass U 12mm
EMZ4B-GA	EMZ4 Bracket Glass Armature
EMZ4B-AM	EMZ4 Bracket Armature Monitored W/Magnet
EMZ4B-SMP	EMZ4 Bracket Single Mounting Plate
EMZ4SP-SC	EMZ4 Spare Part Screw Kit
EMZ4SP-PCBM	EMZ4 Spare Part Pcb Monitored
EMZ8B-SLZ	EMZ8 Bracket Single L & Z
EMZ8B-GU	EMZ8 Bracket Glass U 12Mm
EMZ8B-GA	EMZ8 Bracket Glass Armature
EMZ8B-AM	EMZ8 Bracket Armature Monitored W/Magnet
EMZ8B-SMP	EMZ8 Bracket Single Mounting Plate
EMZ8SP-SC	EMZ8 Spare Part Screw Kit
EMZ8SP-PCBM	EMZ8 Spare Pcb Monitored

Specification Statement

The Single Series Electromagnetic Lock should be constructed in an aluminium case with heavy duty electromagnet. The range only operates in fail safe mode and relies on a secondary lock or battery backup system. In some cases the magnet armature plate pivots to accommodate door drop. The lock needs to be equipped with "smart electronics" that have zero residual magnetism (instantaneous release). This is crucial for correct operation.

Z4 and Z8 Double Series Monitored



Lockwood Padde Series Double Series Monitored Electromagnetic Locks, operate with holding forces from 400kg to 900kg.

These can also be used for doors that need to be monitored in terms of door position and if the door is locked.

Covering a range of applications the Z4 and Z8 Electromagnets are ideal for applications from cupboard doors through to high use commercial swing doors.

With fixing options including wood, aluminium and steel constructions, as well as glass door applications, the range caters to most electromagnetic needs.

Key Features

- Fail-safe: unlocks when power is removed
- Easy installation: suitable for both new and retrofit usage
- High holding force: refer to the technical data overleaf
- Self-alignment: armature plate pivots to accommodate door drop

- Silent operation: no humming or buzzing
- Dual voltage: site selectable 12 or 24 Vdc
- Monitoring: hall-effect and reed switch monitoring on all models
- Instantaneous release: smart electronics on the Z Series Electromagnets eliminate residual magnetism
- 5 Year Tricare Warranty (Padde Series)

Applications

- Aluminium doors
- Double swing doors
- Access control
- Surface mount for inswing and outswing doors

Monitoring

Hall / Bond Monitoring

This indicates that the lock is powered and that the armature plate is in position and magnetically bonded (it monitors if the magnet is locked)

Reed Switch Monitoring

An integrated reed switch monitors the door position separately (it monitors the position of the door)

Product Details

	Z4 Magnet	Z8 Magnet
Nominal Holding Force	400kg *	900kg *
Dimensions	(L)476 x (H)48 x (D) 27 mm	(L)532 x (H)72 x (D) 40 mm
Voltage	12Vdc/ 24Vdc ±10%	12Vdc/ 24Vdc ±10%
Current	900mA @ (12Vdc) 450mA @ (24Vdc)	1024mA @ (12Vdc) 512mA @ (24Vdc)
Monitoring	Hall-Effect and Reed Switch	Hall-Effect and Reed Switch
Operating Temperature	-25 to 55 Degrees	-25 to 55 Degrees
Operating Humidity	0-95%	0-95%

* Stated Nominal Holding Force represents a reliable indicative measure of expected performance but it may vary depending on installation and environmental factors

Standards and Compliance



Successfully fire rated up to 4 hours on fire door assemblies in accordance with AS1905.1:2005 (Part 1: Fire Resistant Doorsets)



CE Approved



C-Tick Certified

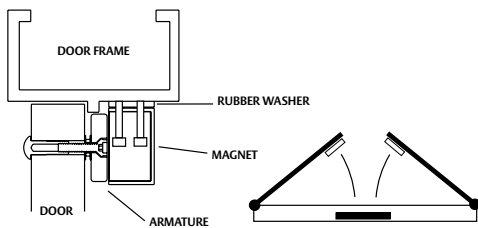
Z4 and Z8 Double Series Monitored



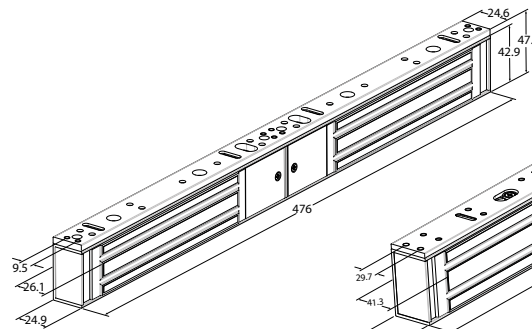
Z4 Double Electromagnetic Lock - Monitored



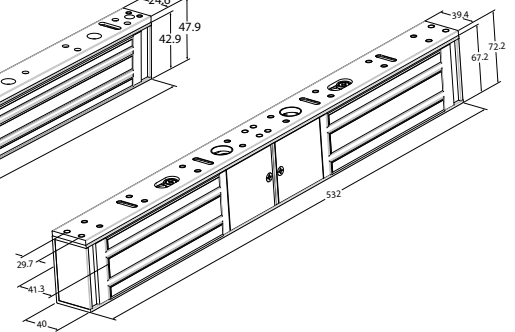
Z8 Double Electromagnetic Lock - Monitored



Out swinging door using the standard mounting plate.



Z4 Electromagnetic Lock



Z8 Electromagnetic Lock

Ordering Information

Part Number	Product Description
EMZ4-DM	EMZ4 E/Magnet 12/24Vdc Double Monitored
EMZ8-DM	EMZ8 E/Mag 12/24Vdc Double Monitored
Accessories	
EMZ4B-DLZ	EMZ4 Bracket Double L & Z
EMZ4B-AM	EMZ4 Bracket Armature Monitored W/Magnet
EMZ4B-DMP	EMZ4 Bracket Double Mounting Plate
EMZ4SP-SC	EMZ4 Spare Part Screw Kit
EMZ4SP-PCBM	EMZ4 Spare Part Pcb Monitored
EMZ8B-DLZ	EMZ8 Bracket Double L & Z
EMZ8B-AM	EMZ8 Bracket Armature Monitored W/Magnet
EMZ8B-DMP	EMZ8 Bracket Double Mounting Plate
EMZ8SP-SC	EMZ8 Spare Part Screw Kit
EMZ8SP-PCBM	EMZ8 Spare Pcb Monitored

Specification Statement

The Double Series Electromagnetic Lock should be constructed in an aluminium base with heavy duty electromagnet. The range only operates in fail safe mode and relies on a secondary lock or battery backup system. The lock needs to be equipped with "smart electronics" that have zero residual magnetism (instantaneous release). This is crucial for correct operation.

Z4 Recessed Electromagnetic Lock



The Lockwood Padde Series Z4 Recessed Electromagnetic Locks operate with holding forces up to 150kg. Covering a range of applications these magnets are ideal for situations where the magnet needs to be recessed such as swing and sliding doors. With fixing options including wood, aluminium and steel constructions, the range caters to most needs. The electromagnets are available in both monitored and non monitored models, using hall-effect monitoring on some. These electromagnetic locks are CSIRO approved for use on fire doors and are characterised by their high quality and proven reliability in both fire and security applications.

Key Features

- Fail-safe: unlocks when power is removed
- Easy installation: suitable for both new and retrofit usage
- High holding force: refer to the technical data overleaf
- Self-alignment: armature plate pivots to accommodate door drop
- Silent operation: no humming or buzzing
- Dual voltage: site selectable 12 or 24 Vdc
- Monitored versions: hall-effect status monitoring available on some models
- Instantaneous release: smart electronics on the Z4 Recessed Electromagnetic Lock eliminate residual magnetism
- 5 Year Tricare Warranty (Padde Series)

Applications

- Various sliding door applications

Product Details

	Z4 Magnet Non Monitored	Z4 Magnet Monitored
Nominal Holding Force	150kg *	150kg *
Dimensions	(L)182 x (H)42 x (D)23 mm	(L)182 x (H)42 x (D)23 mm
Voltage	12Vdc/ 24Vdc ±10%	12Vdc/ 24Vdc ±10%
Current	450mA @ (12Vdc) 225mA @ (24Vdc)	450mA @ (12Vdc) 225mA @ (24Vdc)
Monitoring	None	None
Operating Temperature	-25 to 55 Degrees	-25 to 55 Degrees
Operating Humidity	0-95%	0-95%

* Stated Nominal Holding Force represents a reliable indicative measure of expected performance but it may vary depending on installation and environmental factors

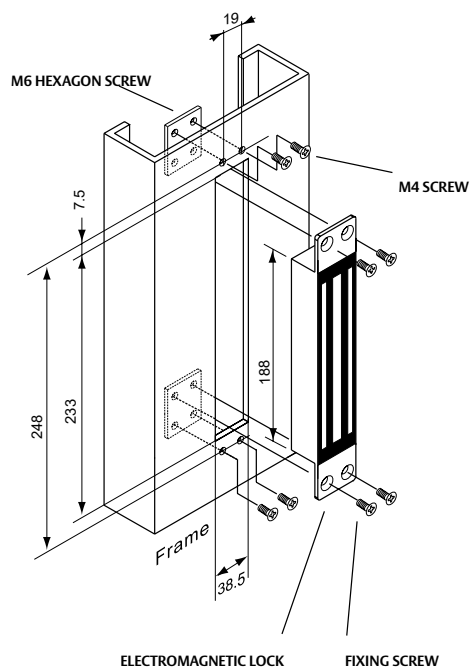
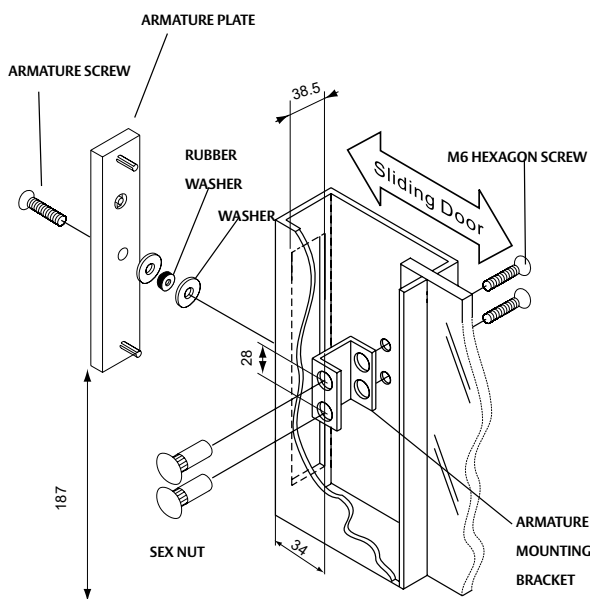
Standards and Compliance

- CE CE Approved
- C-Tick Certified

Z4 Recessed Electromagnetic Lock



Z4 Recessed Electromagnetic Lock



Ordering Information

Part Number	Product Description
EMZ4-RSN	EMZ4 E/Magnet Recessed 12/24Vdc Single Non Monitored
EMZ4-RSM	EMZ4 E/Magnet Recessed 12/24Vdc Single Monitored

Specification Statement

The Z4 Recessed Electromagnetic Lock should be constructed in an aluminium case with heavy duty electromagnet. The range only operates in fail safe mode and relies on a secondary lock or battery backup system. The lock needs to be equipped with “smart electronics” that have zero residual magnetism (instantaneous release). This is crucial for correct operation.

Weather Resistant Electromagnetic Lock



The Lockwood Padde Series Weather Resistant Electromagnetic Lock operates with Nominal Holding Force of 430kg*. Covering a range of applications these are ideal where magnets are exposed to the weather. With fixing options including wood, aluminium and steel constructions as well as glass door applications, the range caters to most external needs. The electromagnets are available in monitored models using hall-effect monitoring. These electromagnetic locks are CSIRO approved for use on fire doors and are characterised by their high quality and proven reliability in both fire and security applications. The “smart electronics” have zero residual magnetism meaning instantaneous release when required. An additional advantage is the ability to select either 12V or 24V DC application on site.

Key Features

- Fail-safe: unlocks when power is removed
- Easy installation: suitable for both new and retrofit usage
- Self-alignment: armature plate pivots to accommodate door drop
- Silent operation: no humming or buzzing
- Dual voltage: site selectable 12 or 24 Vdc
- Monitored versions: hall-effect status monitoring available
- 5 Year Tricare Warranty (Padde Series)

Monitoring

Hall / Bond Monitoring

Hall-effect position sensors are non-contact devices that convert energy from a magnetic field into an electrical signal. This indicates that the lock is powered and that the armature plate is in position and magnetically bonded (it monitors if the magnet is locked).

Applications



- Outdoor / exposed doors
- Doors located in coastal areas

Product Details

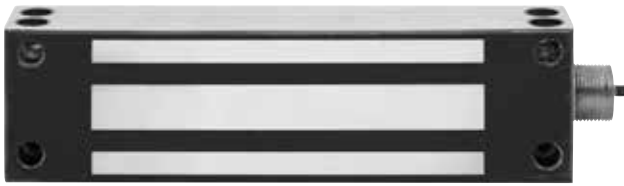
	Z8 Weather Resistant Electromagnet
Nominal Holding Force	430kg*
Dimensions	(L)230 x (H)67 x (D)43 mm
Voltage	12Vdc/ 24Vdc ±10%
Current	512mA @ (12Vdc) 256mA @ (24Vdc)
Monitoring	Hall-Effect
Operating Temperature	-25 to 55 Degrees
Operating Humidity	0-95%

* Stated Nominal Holding Force represents a reliable indicative measure of expected performance but it may vary depending on installation and environmental factors

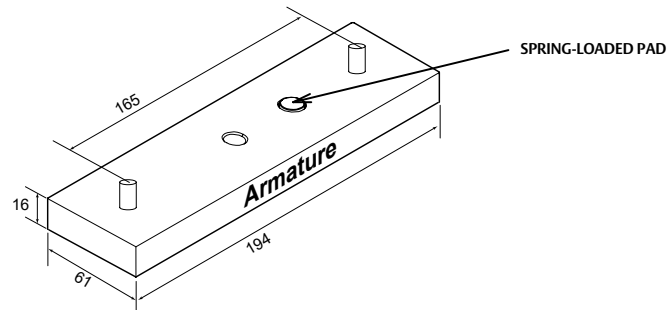
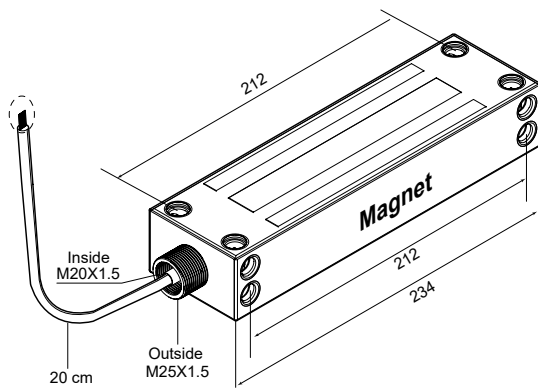
Standards and Compliance

-  CE Approved
-  C-Tick Certified

Weather Resistant Electromagnetic Lock



Z8 Weather Resistant Electromagnetic Lock - Monitored



Ordering Information

Part Number	Product Description
EMZ8-WSM	EMZ8 E/Magnet Weather Res 12/24Vdc Single Monitored

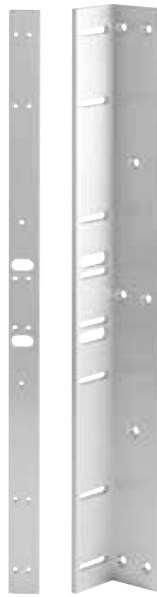
Specification Statement

The Weather Resistant Electromagnetic Lock should be constructed in an aluminium case with heavy duty electromagnet. The range only operates in fail safe mode and relies on a secondary lock or battery backup system. In some cases the magnet armature plate pivots to accommodate door drop.

Electromagnetic Lock Accessories



L and Z Brackets



Angle Bracket



Armature Plate



Glass Door "U" Bracket

The Lockwood Padde Series Electromagnetic Lock range offers a number of accessory options. These accessories allow the electromagnetic locks to be used in a number of different applications and can be adjusted and suited to each situation. This allows the installer to configure the door as required allowing user specific features such as open in / open out selection or glass door applications. Lockwood's Electromagnetic Lock accessories meet or exceed local and international standards, providing safe and secure locking.

Key Features

- Adjustable fixing positions
- Cast aluminium construction
- Meet and exceed international and local standards

Applications

- Open in/open out doors
- Glass door security
- Double doors security
- Sliding door security

Ordering Information

Part Number	Product Description
Z4 Brackets	
EMZ4B-SLZ	EMZ4 Bracket Single L & Z
EMZ4B-DLZ	EMZ4 Bracket Double L & Z
EMZ4B-GU	EMZ4 Bracket Glass U 12Mm
EMZ4B-GA	EMZ4 Bracket Glass Armature
EMZ4B-AN	EMZ4 Bracket Armature Non Monitored
EMZ4B-AM	EMZ4 Bracket Armature Monitored W/Magnet
EMZ4B-SMP	EMZ4 Bracket Single Mounting Plate
EMZ4B-DMP	EMZ4 Bracket Double Mounting Plate
Z8 Brackets	
EMZ8B-SLZ	EMZ8 Bracket Single L & Z
EMZ8B-DLZ	EMZ8 Bracket Double L & Z
EMZ8B-GU	EMZ8 Bracket Glass U 12Mm
EMZ8B-GA	EMZ8 Bracket Glass Armature
EMZ8B-DMP	EMZ8 Bracket Double Mounting Plate
EMZ8B-SMP	EMZ8 Bracket Single Mounting Plate
EMZ8B-AN	EMZ8 Bracket Armature Non Monitored
EMZ8B-AM	EMZ8 Bracket Armature Monitored W/Magnet

Wall and Floor Mounted Hold-Open Magnets



The Lockwood Padde Series EM830 Series of Hold Open Magnets can work as standalone or with an integrated fire system. These fail-safe devices will automatically release if connected to a fire detection system.

Some models include integrated "interrupter buttons" giving the ability to open or close the door manually at any time. Other models have an integrated soft close shock absorbers for silent operation i.e. in Hospitals

Key Features

- Fail Safe Operation – Unlocks when power is removed
- Shock absorber for soft close (model dependent)
- Integrated Interrupter push-button (model dependent)
- Modern Design
- Silent Operation (no humming)
- Easy Install
- Space bracket for wall mount option standard
- 5 Year Tricare Warranty (Padde Series)

Applications

Fire Doors that need to close upon fire signal

- Fire Doors
- Doors that restrict the passage of fire

Non Fire Doors that need to be held open

- Cinema Doors
- Hospital Doors
- Parameter Doors
- Other Doors


Hold open devices are primarily used for fire doors, but not only limited to this application. Other known applications are doors that require to be held open for several hours i.e. with Cabin Hooks. For this application the device needs constant power and no "smarts" are required.

Note: Ensure you select the model with Integrated Interrupter push-button and also buy 24vdc Power supply

Product Details

	EMHO830-1	EMHO830-2	EMHO830-3	EMHO830-4
Wall & Floor Mount	Yes	Yes	Yes	Yes
Integrated Interrupter pushbutton	No	Yes	No	Yes
Shock Absorber	No	No	Yes	Yes
Holding Force	150 kg	150 kg	150 kg	150 kg
Voltage	24vDC	24vDC	24vDC	24vDC
Operating Temperature	0-50°C	0-50°C	0-50°C	0-50°C
Floor Spacing	110 mm	110 mm	110 mm	110 mm
Wall Spacing	190 mm	215 mm	190 mm	215 mm
Continuous Duty	100%ED	100%ED	100%ED	100%ED

Standards and Compliance

 CE Approved

 C-Tick Certified

IP 40 Rating

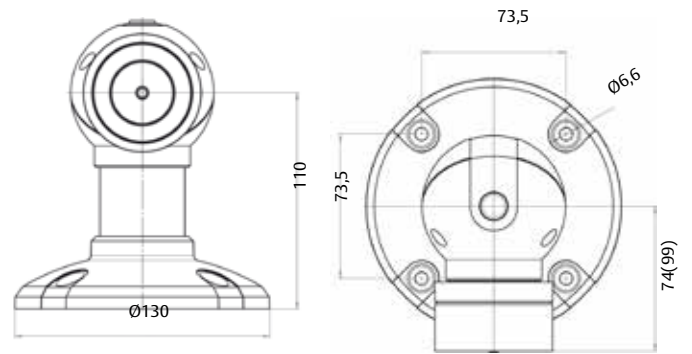
Wall and Floor Mounted Hold-Open Magnets



EMHO830-1



EMHO830-2



EM 830 Magnet Dimensions



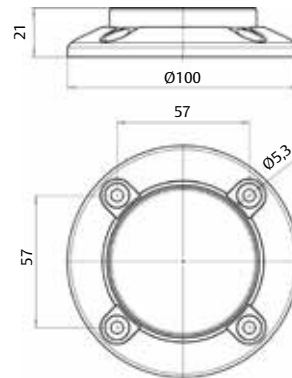
EMHO830-3



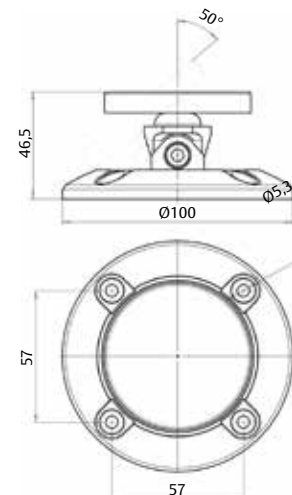
EMHO830-4



EF800 Hold Bracket
(Ordered Separately)



EF800 Hold Swivel Bracket
(Ordered Separately)



Wall and Floor Mounted Hold-Open Magnets

Ordering Information

Part Number	Product Description
EMHO830-1	EM830 E/Hold Magnet 24Vdc
EMHO830-2	EM830 E/Hold Magnet 24Vdc Inter Button
EMHO830-3	EM830 E/Hold Magnet 24Vdc Shock Abs
EMHO830-4	EM830 E/Hold Magnet 24Vdc Shock Abs + Inter Button
EMHOB-1	EM800 Hold Open Bracket
EMHOB-2	EM800 Hold Open Swivel Bracket
P9625	24V Dc Power Supply



Lockwood is the leading brand in the Australian locking industry. With an established reputation for high quality products, this iconic brand provides a wide range of locking solutions to residential housing, commercial building and industrial application markets. Lockwood is supported by an extensive distribution and after-sales support network. Our customers include retailers, architects, trade and industrial personnel, locksmiths and security dealers.

ASSA ABLOY is the global leader in door opening solutions, dedicated to satisfying end-user needs for security, safety and convenience.

ASSA ABLOY is represented in all major regions, in both mature and emerging markets, with leading positions in Australia, Europe and North America.



The 5 Year Tricare Warranty

Our belief that we manufacture the finest premium products available in today's market place is backed by the 5 Year Tricare Warranty, ensuring that Lockwood continues to keep Australians safe by delivering security and peace of mind.

For warranty terms and conditions, please visit www.lockweb.com.au or call **1300WARRANTY**

ASSA ABLOY Australia Pty Ltd
235 Huntingdale Road
Oakleigh, Victoria, 3166
Australia

1300 LOCK UP (1300 562 587)
lockweb.com.au

Disclaimer

Whilst every effort has been made to ensure that the information (including product images and drawings) contained in this brochure is accurate at the time of publication, ASSA ABLOY Australia Pty Limited ("ASSA ABLOY") recommends that you consult ASSA ABLOY or its agents prior to placing an order to ascertain current information on specific products, as ASSA ABLOY reserves the right to make changes without notice. ASSA ABLOY will not be liable for any injury, loss or damage whatsoever, arising from any errors or omissions in the information contained in the brochure or arising from the use or application of the information contained herein. © 2018 copyright by ASSA ABLOY All rights reserved

