

Euro Profile Mortice and Twin Bolt Locks



We take the worry out of
protecting what's valuable to you.
Lockwood: *no worries*[®]

LOCKWOOD

ASSA ABLOY

25YEAR

**MECHANICAL
WARRANTY**

www.lockweb.com.au

Contents



Induro Hinged Door

2-Point Locks

page 3



Induro Hinged Door

4-Point Locks

page 5



Optimum Hinged Door

Roller Bolt Mortice Locks

page 9



Optimum Sliding Door

Mortice Locks

page 11



Mortice Lock Accessories

For Induro and Optimum

page 13



Pinnacle Bi-Fold

Mortice Lock

page 17



Twin Bolt Lock

Twin Bolt Lock

page 19



Cylinder

Euro Profile Fixed Cam

page 21

Induro 2-Point Hinged Door Locks



The Lockwood Induro Mortice Lock range is easy to install and is available to suit hinged residential aluminium and timber door applications.

The Lockwood Induro 2-Point Lock replaces the Optimum Mortice Lock, with upgraded features and specifications, but maintaining the same installation footprint and methods, making it an easy change for current Optimum customers and a suitable retrofit replacement for Optimum too.

Features and Specifications

- Bolt is selectable between default setting Long throw (24mm) and Short throw (13mm) with a simple selector feature to switch between settings
- Features two points of locking including the latch and deadbolt
- Easily reversible latch bolt enables field selectable handing
- Durable mechanism and stainless steel faceplate
- Accepts either 7.6mm or 8mm spindle
- Latch can be deadlocked by key
- Provides multi-point locking when used with shootbolts or remote locks (4 Point)
- 30mm, 40mm and 50mm backset variants available in 2 Point version
- Door thickness: 32mm to 45mm
- A range of strikes are available to provide optimal seal compression (strikes must be ordered separately)
- Achieves Australian Standards AS 4145.2-2008 Security Level S7 and Durability Level D7

Product Details

Furniture Options

The Induro range of locks is compatible with a range of lever on long plate furniture including Palladium and Palladium (Xtra) Snib. Palladium (Xtra) Snib furniture is required in order to use the snib-lock function.

Keying

Compatible with 5 pin or 6 pin fixed cam Euro profile cylinders. Cylinders must be ordered separately.

Standard Finishes

Brushed stainless steel faceplate supplied

Lock Status

Passage Mode

Passage mode gives convenient access from inside and outside without the need for a key.

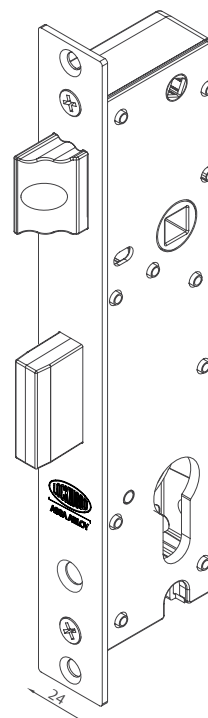
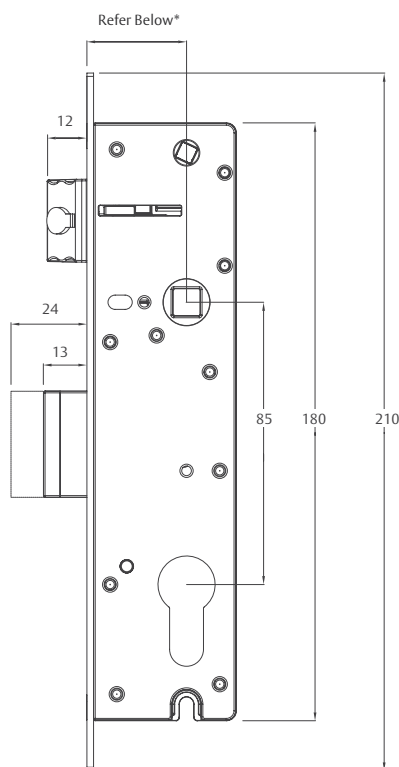
Safety Mode

Safety mode is activated and deactivated by operating the snib lever from inside and requires the key to unlock from outside.

Secure Mode

Handles locked securely from both inside and outside and requires key to unlock from either side.

Induro 2-Point Hinged Door Locks



*Available with 30mm, 40mm, 50mm backset

Induro Hinged Door Multi-Point Locks

Part Number	Description
LW7130L	Lockwood Induro 2PT 30 Backset Long Throw TP
LW7140L	Lockwood Induro 2PT 40 Backset Long Throw TP
LW7150L	Lockwood Induro 2PT 50 Backset Long Throw TP

* Strike plates are not included in lock pack and must be ordered separately.

NOTE: Above shown is Induro 2-Point Hinged Door Lock

Induro 4-point Hinged Door Mortice Lock



The Induro 4-point hinged door mortice lock offers a new and improved locking system with added security and sealing compression for increased thermal efficiency. With four points of locking, there is increased security compared to a 2-point lock, but with the new Induro 4-point, security has also been increased above any of the 4-point lock predecessors. The lift-bolt operation also improves sealing compared to a conventional projection bolt by compression of the door against the stile.

The Lockwood Induro 4-point Mortice Lock range is easy to install and is available to suit hinged residential aluminium and large panel doors.

The Lockwood Induro replaces the Optimum Mortice Lock, with upgraded features and specifications, but maintaining the same installation footprint and methods*, making it an easy change for current Optimum customers and a suitable retrofit replacement for Optimum, LCL and Millton locks.

* Same door-side installation. Strikes and door jamb cut-outs may differ to Optimum due to Lift-bolt compared to previous projection bolt.

Product Details

Furniture Options

The Induro 4-point lock is compatible with a range of levers on long plate furniture including Palladium and Palladium (Xtra) Snib.

Palladium (Xtra) Snib furniture is required in order to use the snib-lock function.

Keying

Compatible with 5 pin or 6 pin fixed cam Euro profile cylinders. Cylinders must be ordered separately.

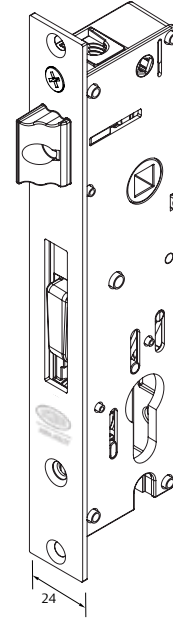
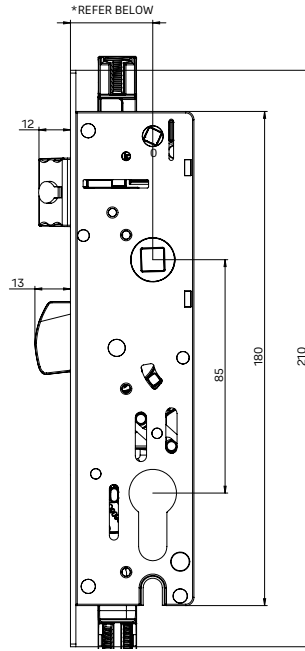
Standard Finishes

Brushed stainless steel faceplate supplied

Features and Specifications

- Features four points of locking including the latch, lift-bolt and shootbolts/remotes
- When used with the correct strike the lock generates optimum seal compression to provide improved water and air seal performance, especially for large panel doors
- Upgraded furniture option (Palladium (Xtra) Snib) comes with safety snib for home security, enabling easy exit if required
- Sequencing of locking points can be in any order (can be locked with or without shootbolts thrown)
- Easily reversible latch enables field selectable handing
- Durable mechanism and stainless-steel faceplate
- Accepts either 7.6mm or 8mm spindle
- Latch can be deadlocked by key
- Available in 30mm and 40mm backset variants
 - Short throw (13mm deadbolt projection) available for 30mm and 40mm backsets
 - Long throw (23mm deadbolt projection) available for 30mm backset only
- A range of strikes are available to provide optimal seal compression (strikes must be ordered separately)
- Achieves Australian Standards AS 4145.2-2008
- Door thickness: 32mm to 45mm

Induro 4-point Hinged Door Mortise Lock



*Available with 30mm and 40mm backset

Operation Modes

Single point - Latch

Latching mode operates like a regular passage door, with just the single point latch in operation. Conventional handle-down retracts latch to open door, and on door closing, the lock will self-latch without any additional input.

4-Point / Multi-point – Lift bolt and projection bolts/remotes

Multi-point compression locking is activated manually by lifting the handle.

Lifting the handle throws the lift-bolt and the shootbolts.

Pulling the handle down retracts all locking points together in a single operation.

Lock Status

Passage Mode

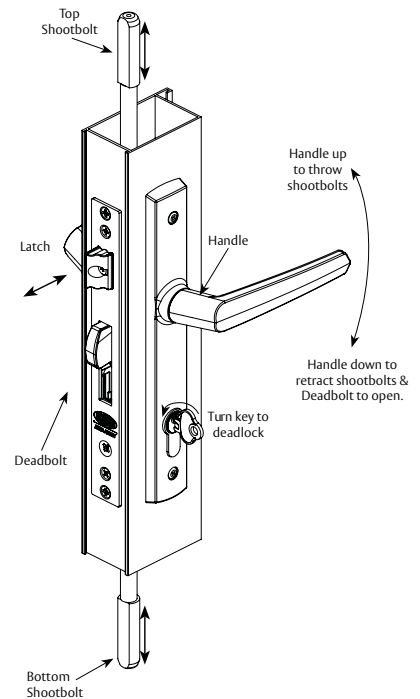
Passage mode gives convenient access from inside and outside without the need for a key.

Safety Mode

Safety mode is activated and deactivated by operating the snib lever from inside and requires the key to unlock from outside.

Secure Mode

Handles locked securely from both inside and outside and requires key to unlock from either side.



Induro 4-point Hinged Door Mortise Lock

Part Number	Description
LW7230S	Lockwood Induro 4PT 30 Backset Short Throw TP
LW7230L	Lockwood Induro 4PT 30 Backset Long Throw TP
LW7240S	Lockwood Induro 4PT 40 Backset Short Throw TP
LW7230S/A10	Lockwood Induro 4PT 30 Backset Short Throw with Rods Kits TP
LW7240S/A10	Lockwood Induro 4PT 40 Backset Short Throw with Rods Kits TP

* Strike plates are not included in lock pack and must be ordered separately.

Optimum Hinged Door Roller Bolt Mortice Locks



The Lockwood Optimum Roller Bolt Mortice Lock is designed to suit a wide range of door sizes for both timber and aluminium residential doors. The design allows for optimal latch adjustment and provides positive latching.

Features and Specifications

- Adjustable latch projection from faceplate
- Adjustable latching strength from faceplate
- Durable mechanism and stainless steel faceplate
- 40mm and 50mm backset variants available
- Door thickness: 32mm to 45mm
- Lock Status Indication available when used with Palladium Xtra cylinder escutcheons
- A range of strike kits are available to suit specification door applications (strikes must be ordered separately)

Product Details

Furniture Options

The Optimum Roller Bolt locks are compatible with most cylinder escutcheons that suit euro profile cylinders. Palladium (Xtra) Snib furniture is required for Snib locking operation.

Keying

Compatible with 5 pin or 6 pin fixed cam Euro profile cylinders. Cylinders must be ordered separately.

Standard Finishes

Brushed stainless steel faceplate supplied

Lock Status Indicators

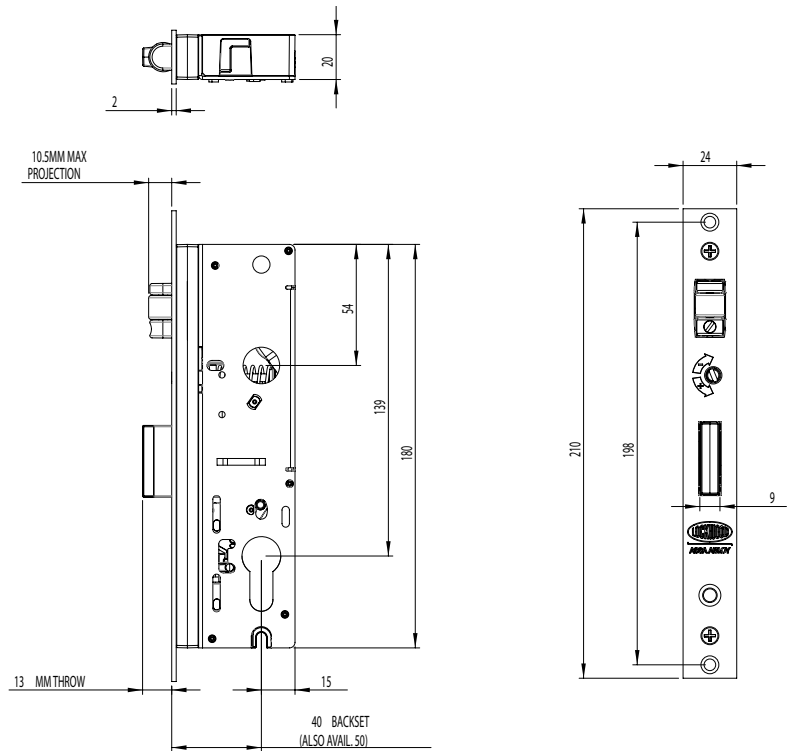
Passage Mode

Passage mode gives convenient access from inside and outside without the need for a key.

Secure Mode

Door locked securely from both inside and outside and requires the key to unlock from either side.

Optimum Hinged Door Roller Bolt Mortice Locks



Optimum Hinged Door Roller Bolt Mortice Locks

Part Number	Description
OP40/1RBS/SS	Optimum 1PT Roller Bolt Lock 40mm B/S
OP50/1RBS/SS	Optimum 1PT Roller Bolt Lock 50mm B/S

Optimum Sliding Door Mortice Locks



The Lockwood Optimum Sliding Door Mortice Lock is designed to improve functionality in sliding door applications. Lock features the unique security of a single deadbolt with dual flyout beaks which prevent the door from being lifted.

Features and Specifications

- Anti-lift deadbolt locking
- Anti-slam pin protection prevents accidental damage to the lock bolt
- Durable mechanism and stainless steel faceplate
- 30mm and 40mm backset variants available
- Door thickness: 32mm to 45mm
- Fixed or adjustable strike options (strikes must be ordered separately)

Product Details

Furniture Options

The Lockwood Aria D handle is recommended for use with Optimum Sliding Door Lock. Palladium (Xtra) Snib furniture is required for Snib locking operation.

Keying

Compatible with 5 pin or 6 pin fixed cam Euro profile cylinders. Cylinders must be ordered separately.

Standard Finishes

Brushed stainless steel faceplate supplied

Lock Status Indicators

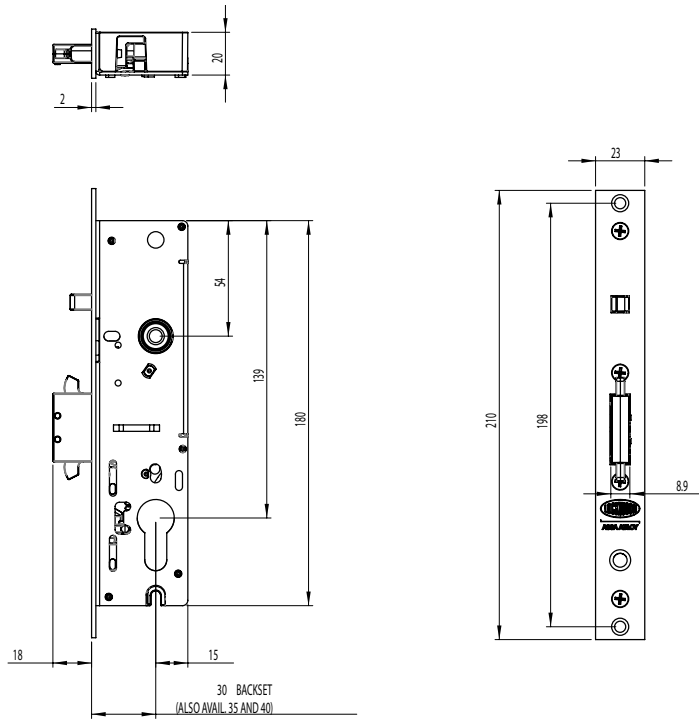
Passage Mode

Passage mode gives convenient access from inside and outside without the need for a key.

Secure Mode

Door locked securely from both inside and outside and requires the key to unlock from either side.

Optimum Sliding Door Mortice Locks



Optimum Sliding Door Mortice Locks

Part Number Description

OP30/1SDN/SS Optimum 1PT Sliding Door Lock 30mm B/S

OP40/1SDN/SS Optimum 1PT Sliding Door Lock 40mm B/S

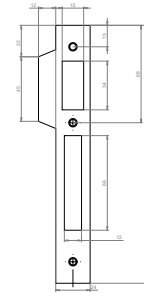
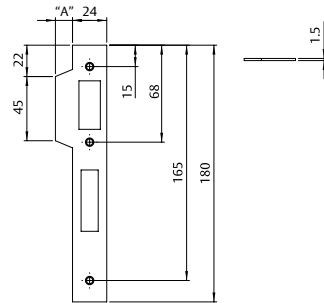
OP30/3SDN/SS Optimum 3PT Sliding Door Lock 30mm B/S

Induro and Optimum Mortice Lock Accessories

Standard / Extended Lip Hinged Door Strikes (reversible handing)

Part Number Dimensions "A"

OPS001SS	12mm
OPS002SS	43mm
OPS003SS	60mm
INDU004SS	12mm



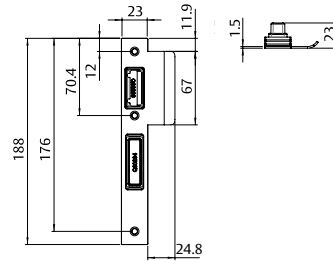
INDU004SS

A strike box is available to suit these strikes (OPSBOX)

Strike and Strike Box Kits

Part Number Handing

P3352CDLSS	Left Hand (shown)
P3352CDRSS	Right Hand



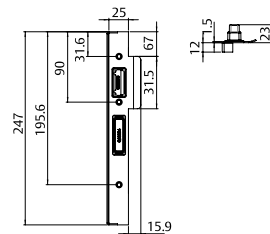
Timber Door Strike Kit

All kits include insert for roller bolt lock if required

Strike and Strike Box Kits

Part Number Handing

P3352TFLSS	Left Hand (shown)
P3352TFRSS	Right Hand



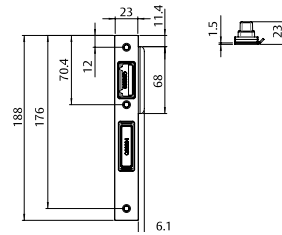
Timber Door Rebate Kit

All kits include insert for roller bolt lock if required

Induro and Optimum Mortice Lock Accessories

Strike and Strike Box Kits

Part Number	Handing
P3352AFLSS	Left Hand (shown)
P3352AFRSS	Right Hand

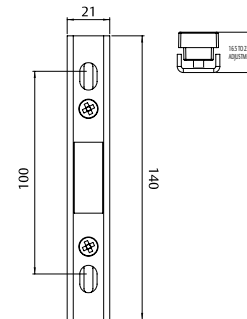
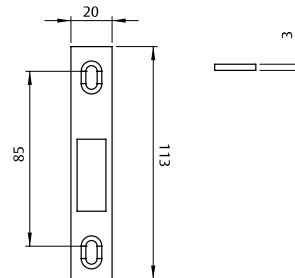


Aluminium French Door Kit

All kits include insert for roller bolt lock if required

Sliding Door Strikes

Part Number	Type
P33600	Adjustable
PQ70188	Fixed



Sliding Door Strikes

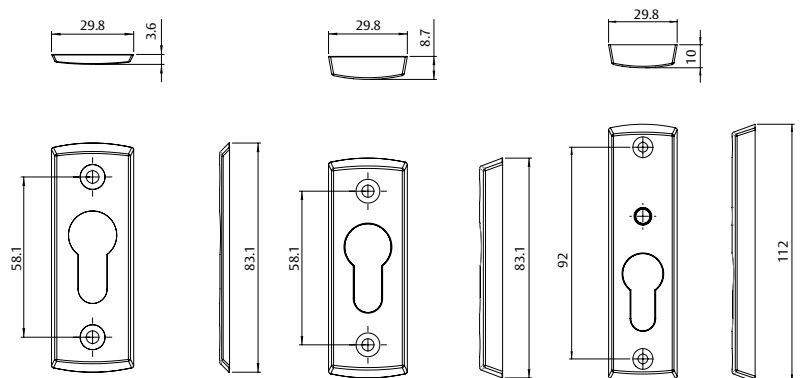
Induro and Optimum Mortice Lock Accessories

Standard Finishes

Black	BLK
Satin Chrome Pearl	SP
Polyester Powder Coat	PPC

Cylinder Escutcheons

Ideal for use with the Sliding Door and Roller Bolt Locks.



Cylinder Escutcheons

Part Number	Description
PA2101	Palladium Low Profile Cylinder Escutcheon
PA2102	PPC Palladium High Profile Cylinder Escutcheon
PA2202	Palladium High Profile Cylinder Escutcheon Pair (x2)
PA2103	Palladium Xtra (Indicating) High Profile Cylinder Escutcheon

Standard Finishes

Satin Chrome Pearl	SP
Polyester Powder Coat	PPC

Aria D Handle

Designed for use with the Optimum Sliding Door Locks, suits door thickness from 25-70mm.

Aria D Handle

Part Number	Description
PH320/27	Aria D Handle Back to Back Set
PH321/27	Aria D Handle Internal Half Set

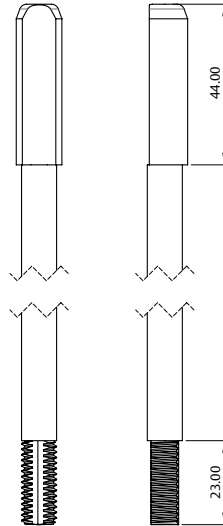
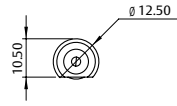


Induro and Optimum Mortice Lock Accessories

Shoot Bolt Rods

Part Number P33096

For use with 4PT Hinged and 3PT Sliding Door Locks. Kit includes 1m and 1.3m rods, rod ends and tips.



Multipoint Extension Kit

Part Number P84017

For use with 4PT Hinged and 3PT Sliding Door Locks on doors over 2.4m

Pinnacle Bi-Fold Mortice Lock



The Pinnacle Mortice lock has been designed for use on bi-fold windows and doors. The Pinnacle lock combines security features with a practical design, fulfilling the needs created by architectural innovations within the residential market.

Suitable for use with aluminium windows and doors.

Features and Specifications

- Provides 2 points of security from one motion
- Bolts throw 22mm for enhanced security
- Practical, easy installation
- Threaded rod connection provides easy adjustment
- Handle turns through 90 degrees from locked to unlocked
- Rods provided are 1m + 1.3m with a range of extensions and accessories available
- Bi-fold kits are available with a Uno or Aria styled bi-fold handles
- Non-locking faceplates available to convert locking locks to non-locking

Product Details

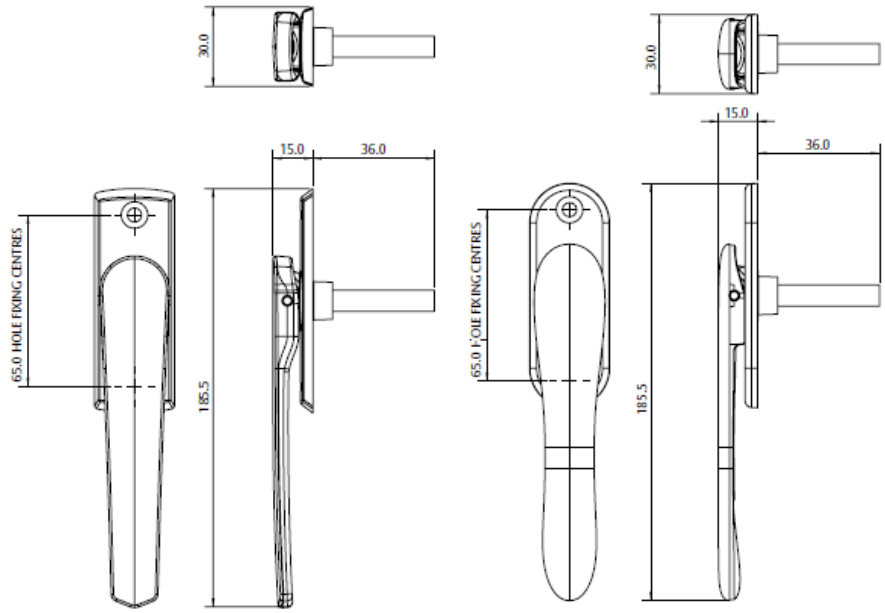
Keying

Compatible with 5 pin or 6 pin fixed cam Euro profile cylinders. Cylinders must be ordered separately.

Standard Finishes

Brushed stainless steel faceplate supplied
Kits are available in black (**BLK**) and satin chrome pearl (**SP**)

Pinnacle Bi-Fold Mortice Lock



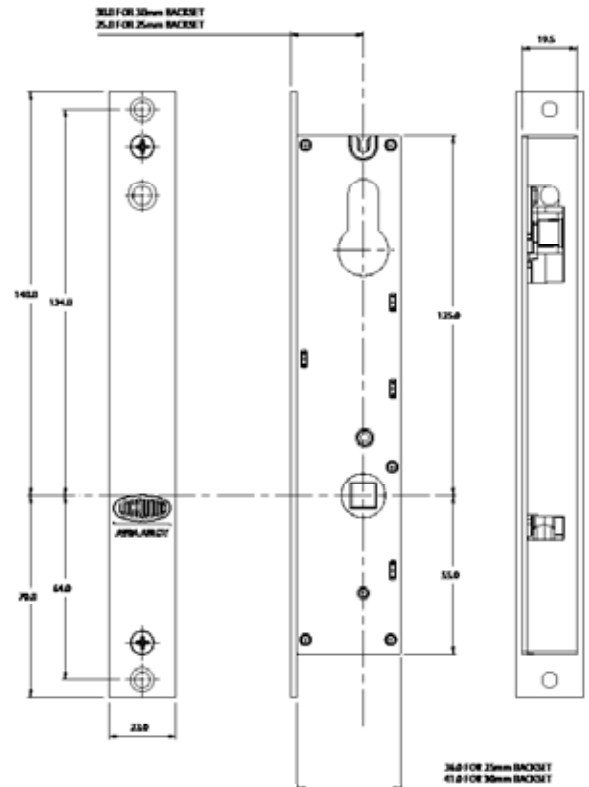
Aria Style Bi-fold Handle

Uno Style Bi-fold Handle

Pinnacle Bi-Fold Mortice Locks

Part Number	Description
PBE201/1/27*	Pinnacle Bi-Fold Lock Kit Aria 25mm Backset
PBE201/2/27*	Pinnacle Bi-Fold Lock Kit Aria 25mm Backset - Double Handle and Escutcheon
PBE311/1/27*	Pinnacle Bi-Fold Lock Kit Aria 30mm Backset
PBE311/2/27*	Pinnacle Bi-Fold Lock Kit Aria 30mm Backset - Double Handle and Escutcheon
UB201/1/*	Pinnacle Bi-Fold Lock Kit Uno 25mm Backset
UB201/2/*	Pinnacle Bi-Fold Lock Kit Uno 25mm Backset - Double Handle and Escutcheon
UB311/1/*	Pinnacle Bi-Fold Lock Kit Uno 30mm Backset
UB311/2/*	Pinnacle Bi-Fold Lock Kit Uno 30mm Backset - Double Handle and Escutcheon
PS25/2PTN/SS	Pinnacle Bi-Fold Lock Only 25mm Backset Lock Body
PI30/2PTN/SS	Pinnacle Bi-Fold Lock Only 30mm Backset Lock Body

* Denotes finish code



Twin Bolt Lock



The new Lockwood Twin Bolt lock (TBL) with Euro cylinder body has been designed for use on both French doors and Bifold Doors applications. The Twin Bolt combines security features with a practical design, fulfilling the needs created by architectural innovations within the residential market. Suitable for use with aluminium framed residential doors.

The Twin Bolt Lock has 18mm shoot bolt throw as standard and a cam-over design that prevents the shoot bolts from being reverse-driven even when the cylinder isn't deadlocked. The locking version now utilizes genuine Euro cylinders opening up options for greater customization of keying i.e, special keying, construction keying or master keying can be done.

Features

- Upgraded through-hole mounting results in faster, simpler installation. One screw size fits most applications and full thread engagement allows for stronger handle connection to lock body
- Non-handed lock assembly
- Locking version now utilizes actual Euro cylinders opening up options for customization
- Locked & Unlocked markings on

Product Details

Furniture	Twin Bolt Lock is compatible with range of Bi-fold and French door handles in locking and non-locking configuration. See product order matrix for more information
Keying	Compatible with 5Pin fixed cam Euro profile cylinders. Cylinders can be purchased separately.
Standard Finishes	Zinc die cast lock body. Furniture Kits are available in Black (B) and Satin Chrome (SC), Special Powder Coat (SPEC) and White (PW)

housing indicate correct handle orientation prior to installation

- Same robust design features as current Twin Bolt including:
 - 18mm shoot bolt throw as standard
 - Cam-over design prevents shoot bolts from being driven without handle even when cylinder is not dead locked.
- Lock packers install same as before but are now longer to improve support of lock
- Twin Bolt features internal locking only
- Standard rods provided are 1m + 1.3m with a range of extensions and accessories available
- Provides 2-points of security with top

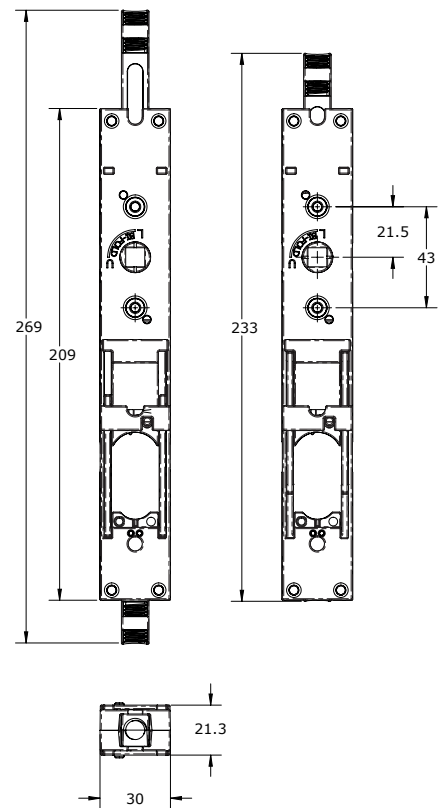
and bottom rods

- Zinc die-cast construction
- Standard moulded plastic packers and fixing screws provided
- Threaded rod connection provides easy adjustment
- Handle turning angle of 90 degrees
- Can be keyed alike to other ASSA ABLOY CYL4™ locks for one key convenience

Product Range:

Locking and non-locking options are available for both Bi-fold and French door applications with range of handle styles to choose from.

Twin Bolt Lock



Locking with Rods

Locking

Non-Locking

Twin Bolt Lock Kits

Part Number	Description
LW7800/27S10X/*	LOCKWOOD TBL NL KIT ARIA HDL **RODS**
LW7800/UNS10X/*	LOCKWOOD TBL NL KIT UNO HDL **RODS**
LW7800/UNX00X/*	LOCKWOOD TBL NL KIT UNO HDL NO TIPS NO RODS
LW7801/27S10L/*	LOCKWOOD TBL LKG KIT ARIA HDL NO CYL **RODS**
LW7801/27S12L/*	LOCKWOOD TBL LKG KIT ARIA HDL **RODS**
LW7801/UNS12L/*	LOCKWOOD TBL LKG KIT UNO HDL **RODS**
LW7801/UNS22L/*	LOCKWOOD TBL LKG KIT UNO HDL SS TIPS **RODS**
LW7801/UNX02L/*	LOCKWOOD TBL LKG KIT UNO HDL NO TIPS NO RODS
LW7805/00S10X	LOCKWOOD TBL FD LKG KIT NO FURN NO CYL **RODS**
LW7805/00S11X	LOCKWOOD TBL FD LKG KIT NO FURN **RODS**
LW7805/00S21X	LOCKWOOD TBL FD LKG KIT SS TIPS NO FURN **RODS**

* Denotes finish code

Twin Bolt Lock

Ordering Information

Sample part number LW78 00 / 27 X 1 0 X / B is made up of several componets. Choose your product by selecting an option from each section.

For example:

Platform / Suite	Kit Type	Handle	Shoot Bolts	SB Tips	Cylinder Options	Cylinder Escutcheon	Finish
LW78	00	27	X	1	0	X	B

Platform/ Suite	
Lockwood Twin Bolt Lock with Euro Cylinder Series	LW78

Shoot Bolts	
No Shoot Bolts	X
Standard 1.0/1.3m	S
Long 1.5/2.0m	L

Cylinder Escutcheon	
No Escutcheon	X
Low Profile Escutcheon	L
High Profile Escutcheon	H

Kit Type	
Non Locking	00
Locking	01
French Door (FD) Non Locking	04
French Door (FD) Locking	05

SB Tips	
None (Sold Separate)	0
Standard Plastic (C2807)	1
SS D (C2806)	2
SS (C2801)	3

Finish	
Black	B
Silver	S
White	PW
Satin Chrome	SC
Special Powdercoat	SPEC

Handle	
No Handle	00
Special Handle	SS
Aria TBL Handle	27
Uno TBL Handle	UN
Aria FD Handle	27
Verona FD Handle	VR

Cylinder Options	
No Cylinder	0
Locking- Standard 1/2 Cyl	1
Locking- Std 1/2 Cyl + Securitum	2

^ Part number convention is for reference only, not all possible combinations will be available as a pre packed lockset. Some configurations will need to be made up of sub-assemblies. i.e. Two or more line items may be required to make up desired configuration.

Cylinder - Euro Profile Fixed Cam



Cylinder to suit Lockwood Optimum Mortice Lockset.

Features and Specifications

- 6 pin, C4 key profile, fixed cam cylinders, designed to suit a range of applications
- Solid brass/zinc diecast construction

Product Details

Finishes	Chrome Plate (CP)
-----------------	-------------------

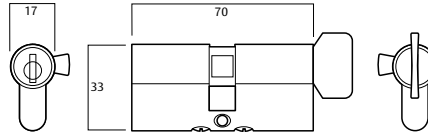
Note: Non standard finishes are unavailable.

Cylinder - Euro Profile Fixed Cam

Cylinder and Turnknob - Fixed Cam

Part Number	Finishes	Packaging
9555-202CP	Chrome Plate	Trade Pack

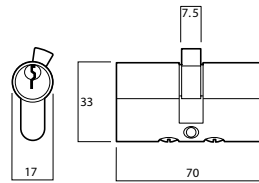
Note: Available in Trade only.



Double Cylinder - Fixed Cam

Part Number	Finishes	Packaging
9555-102CP	Chrome Plate	Trade Pack

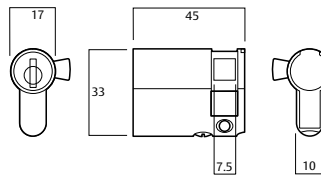
Note: Available in Trade only.



Single Cylinder - Fixed Cam

Part Number	Finishes	Packaging
9555-502CP	Chrome Plate	Trade Pack

Note: Available in Trade only.





ASSA ABLOY

Lockwood is the leading brand in the Australian locking industry. With an established reputation for high quality products, this iconic brand provides a wide range of locking solutions to residential housing, commercial, semi-commercial, building and industrial application markets. Lockwood is supported by an extensive distribution and after-sales support network. Our customers include retailers, architects, trade and industrial personnel, locksmiths and security dealers.

ASSA ABLOY is the global leader in door opening solutions, dedicated to satisfying end-user needs for security, safety and convenience.

ASSA ABLOY is represented in all major regions, in both mature and emerging markets, with leading positions in Australia, Europe and North America.

**25YEAR
MECHANICAL
WARRANTY**

The Lockwood 25 Year Mechanical Warranty

Our belief that we manufacture the finest premium products available in today's market place is backed by the Lockwood 25 Year Mechanical Warranty, ensuring that Lockwood continues to keep Australians safe by delivering security and peace of mind.

For warranty terms and conditions, please visit www.lockweb.com.au or call **1300WARRANTY**

ASSA ABLOY Australia Pty Ltd
235 Huntingdale Road
Oakleigh, Victoria, 3166
Australia

1300 LOCK UP (1300 562 587)
lockweb.com.au

ASSA ABLOY New Zealand Ltd
6 Armstrong Road
Albany, Auckland, 0632
New Zealand

info.nz@assaabloy.com
Telephone +64 9415 7111
assaabloy.co.nz

Disclaimer

Whilst every effort has been made to ensure that the information (including product images and drawings) contained in this brochure is accurate at the time of publication, ASSA ABLOY Australia Pty Limited ("ASSA ABLOY") recommends that you consult ASSA ABLOY or its agents prior to placing an order to ascertain current information on specific products, as ASSA ABLOY reserves the right to make changes without notice. ASSA ABLOY will not be liable for any injury, loss or damage whatsoever, arising from any errors or omissions in the information contained in the brochure or arising from the use or application of the information contained herein. © 2023 copyright by ASSA ABLOY All rights reserved

