

# Safety Lockout Range



We take the worry out of  
protecting what's valuable to you.

Lockwood: *no worries*<sup>®</sup>



ASSA ABLOY

25YEAR

MECHANICAL  
WARRANTY

[www.lockweb.com.au](http://www.lockweb.com.au)

# Contents



## 214 and 215 Series

Aluminium Case Padlocks

page 3



## 215P Series

Plastic Body Padlocks

page 5



## 225 Series

Padlocks

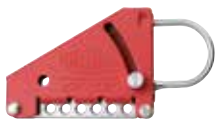
page 7



## 412 Series

Padlocks

page 9



## Safety Lockout

Safety Lockout Hasp

page 11



## Safety Lockout

312 Covered Supervisors  
Hasp

page 13



## Safety Lockout Range Accessories

page 15



## Trailer Air Coupling Lock

page 17

# 214 and 215 Series Aluminium Case Padlocks



The Lockwood 214 and 215 Aluminium Series Padlocks are a range of durable, rugged and lightweight 40mm aluminium body padlocks with full commercial grade special keying. The range has been specifically designed to meet the requirements of commercial and industrial applications. Along with a range of up to eight clearly identified coloured jackets, it is ready to be custom marked to make lock identification easy.

## Features and Specifications

- Self latching double ball locking
- Can be converted from self latching to deadlocking (key retained) by simply relocating the cam plate pin in the cylinder assembly
- Covers available in eight easily identified colours.

## Product Details

|                       |  |
|-----------------------|--|
| <b>Materials</b>      | Body: Heavy duty, aluminium body extrusion.<br>Shackle: Stainless steel.   |
| <b>Function</b>       | Spring loaded shackle, available with latching function where the key can be removed with the shackle in the open position (L) or deadlocking function where the key is retained and can only be removed with the shackle in the locked position (D).  |
| <b>Finish</b>         | Body: Red anodized aluminum.<br>Shackle: Natural material.   |
| <b>Cylinders</b>      | Rekeyable 334 type padlock cylinder. Inline pin cylinders can be keyed to 5 or 6 pins.   |
| <b>Shackles</b>       | 214 Model: 5.0mm diameter, 19 & 50mm lengths.<br>215 Model: 6.4mm diameter, 19 & 50mm lengths.   |
| <b>Special Keying</b> | Locks can be keyed to a number of controlled and / or specially keyed systems. These range from legally protected keys to protect against unauthorised duplication and can also include specially designed keying systems such as master key systems. This allows for different levels of mechanical access control. |

Bulk Locksmiths versions are available.

**Note:** Custom marking is available. Pricing and availability on application.

## Standards and Compliance

### SP3-6

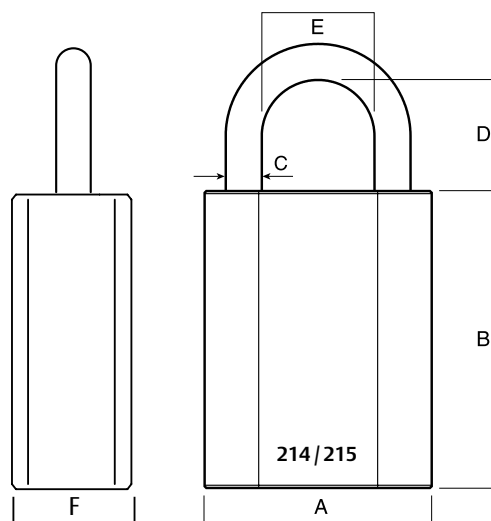
Physical Security grades are employed for padlocks. These grades are defined in part by the effective differs and key combinations. Padlocks Physical Security (SP) grade range from 3-6.



Environments that are often wet and/or subject to slight pollution by sulphur dioxide, acid, alkali or salt, including some particularly damp interiors and the majority of exterior environments.

All products are designed and tested to the Australian Padlock Standard AS4145.4 2002 and are rated for both security and corrosion resistance.

# 214 and 215 Series Aluminium Case Padlocks



## Product Details – Dimensions and Standards and Compliance Ratings

|            | Physical Security Rating | Corrosion Resistance Rating | A  | B  | C   | D  | E  | F  |
|------------|--------------------------|-----------------------------|----|----|-----|----|----|----|
| 214A40/619 | SP4                      | C4                          | 40 | 52 | 5.0 | 19 | 21 | 19 |
| 214A40/650 | SP3                      | C4                          | 40 | 52 | 5.0 | 50 | 21 | 19 |
| 215A40/619 | SP6                      | C4                          | 40 | 52 | 6.4 | 19 | 20 | 19 |
| 215A40/650 | SP5                      | C4                          | 40 | 52 | 6.4 | 50 | 20 | 19 |

## Available Keying Configurations

|            | RKA | BK | 5KA | 5KD | 6KA | 6KD | 6MK | DRKA | D5KA | D5KD | D6KA | D6KD | D6MK |
|------------|-----|----|-----|-----|-----|-----|-----|------|------|------|------|------|------|
| 214A40/619 | •   | •  | •   | •   | •   | •   | •   | •    | •    | •    | •    | •    | •    |
| 214A40/650 | •   | •  | •   | •   | •   | •   | •   | •    | •    | •    | •    | •    | •    |
| 215A40/619 |     | •  | •   | •   | •   | •   | •   | •    | •    | •    | •    | •    | •    |
| 215A40/650 |     | •  | •   | •   | •   | •   | •   | •    | •    | •    | •    | •    | •    |

## Padlocks Ordering Procedure

|                              |                           |                         |                              |                              |                      |                    |                              |                                     |
|------------------------------|---------------------------|-------------------------|------------------------------|------------------------------|----------------------|--------------------|------------------------------|-------------------------------------|
| <b>Padlock Series</b><br>215 | <b>Body Material</b><br>A | <b>Body Size</b><br>40  | <b>Shackle Material</b><br>8 | <b>Shackle Opening</b><br>50 | <b>Function</b><br>L | <b>Format</b><br>1 | <b>Colour</b><br>2           | <b>PackType &amp; Keying</b><br>5KD |
| <b>Padlock Series</b>        | <b>Body Size</b>          | <b>Shackle Material</b> |                              | <b>Shackle Opening</b>       |                      | <b>Format</b>      | <b>Pack Types and Keying</b> |                                     |
| 214 Series 214               | Nominal Size in mm 40     | Brass 2                 |                              | Nominal Size in mm 25        | <b>Function</b>      | Window Cover 1     | Keyed Alike KA               |                                     |
| 215 Series 215               |                           | Stainless Steel 6       |                              | Nominal Size in mm 50        |                      | <b>Colour</b>      | Red 1                        | 5 Pin Keyed Alike 5KA               |
| <b>Body Material</b>         |                           |                         |                              | <b>Function</b>              |                      | Orange 2           | 5 Pin Keyed to Differ 5KD    |                                     |
| Aluminium A                  |                           |                         |                              | Latching L                   |                      | Yellow 3           | 6 Pin Keyed Alike 6KA        |                                     |
|                              |                           |                         |                              | Deadlocking D                |                      | Green 4            | 6 Pin Keyed to Differ 6KD    |                                     |
|                              |                           |                         |                              |                              |                      | Blue 5             | 6 Pin Master Keyed 6MK       |                                     |
|                              |                           |                         |                              |                              |                      | Purple 6           | Bulk BK                      |                                     |
|                              |                           |                         |                              |                              |                      | White 7            | GEN6T Master Keyed G6M       |                                     |
|                              |                           |                         |                              |                              |                      | Black 8            | MT5+ Master Keyed MT5+       |                                     |

**Note:** For deadlocking function insert "D" in front of keying suffix. E.g. D6KD.

# 215P Series Plastic Body Padlocks



The Lockwood 215P Plastic Body Series Padlocks have been specifically designed for the electrical and mining safety lockout industries. When specified with a polymer shackle the padlock becomes completely non-conductive allowing for safety lockout within electrical applications.

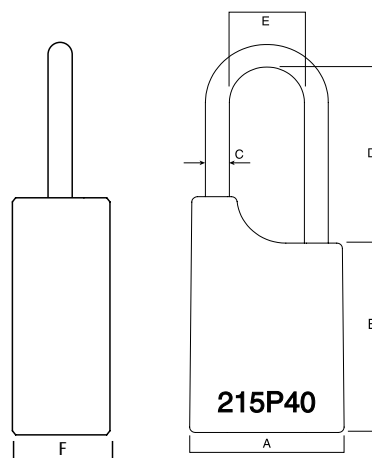
## Features and Specifications

- Excellent corrosion resistance
- All components are non-sparking
- All components are non-magnetic
- Meets OH&S guidelines of one employee, one padlock and one key
- Available in six colours
- Includes write on “Danger” label

## Product Details

|                       |   |
|-----------------------|---|
| <b>Materials</b>      | Body: Plastic.<br>Shackle: Plastic or brass.  |
| <b>Function</b>       | Spring loaded shackle with deadlocking function where the the key is retained and can only be removed with the shackle in the locked position.  |
| <b>Finish</b>         | Body: Coloured plastic.<br>Shackle: Natural material.   |
| <b>Cylinders</b>      | Rekeyable 334 type padlock cylinder. Inline pin cylinders can be keyed to 5 or 6 pins.  |
| <b>Shackles</b>       | Available in 6mm diameter, 50mm long, brass and polymer shackles.   |
| <b>Special Keying</b> | Locks can be keyed to a number of controlled and / or specially keyed systems. These range from legally protected keys to protect against unauthorised duplication and can also include specially designed keying systems such as master key systems. This allows for different levels of mechanical access control.<br><br>The standard key supplied is the 6 pin restricted E3 profile. The key head is marked 'Safety Do Not Copy'.<br><br>Bulk Locksmiths versions are available. |

# 215P Series Plastic Body Padlocks



## Specifications

### Dimensions (mm)

| Part Number | A  | B  | C | D  | E  | F  |
|-------------|----|----|---|----|----|----|
| 215P40/850  | 40 | 52 | 6 | 50 | 20 | 19 |

## Available Keying Configurations

|            | 6KA | 6KD | BK |
|------------|-----|-----|----|
| 215P40/850 | •   | •   | •  |
| 215P40/250 | •   | •   | •  |
| 215P40/225 | •   | •   | •  |

## Padlocks Ordering Procedure

| Padlock Series | Body Material | Body Size | Shackle Material | Shackle Opening | Colour | PackType & Keying |
|----------------|---------------|-----------|------------------|-----------------|--------|-------------------|
| 215            | P             | 40        | 8                | 50              | 1      | 6KD               |

| Padlock Series | Body Width            | Shackle Opening  | Pack Types and Keying   |
|----------------|-----------------------|--|---|
| 215 Series     | Nominal Size in mm 40 | Nominal Size in mm 50  | 6 Pin Keyed Alike 6KA<br>6 Pin Keyed to Differ 6KD<br>6 Pin Master Keyed 6MK<br>Bulk BK |
| Body Material  | Shackle Material      | Colour   |   |
| Plastic P      | Brass 2<br>Polymer 8  | Red 1<br>Orange 2<br>Yellow 3<br>Green 4<br>Blue 5<br>White 7<br>Black 8 |   |

# 225 Series Padlock



The Lockwood 225 Series Padlock is a zinc diecast padlock with a powdercoated finish.

The 225 padlock is primarily used with the 003 key code for the fire industry.

The padlock is also available with a brown powder coat finish for use in other applications.

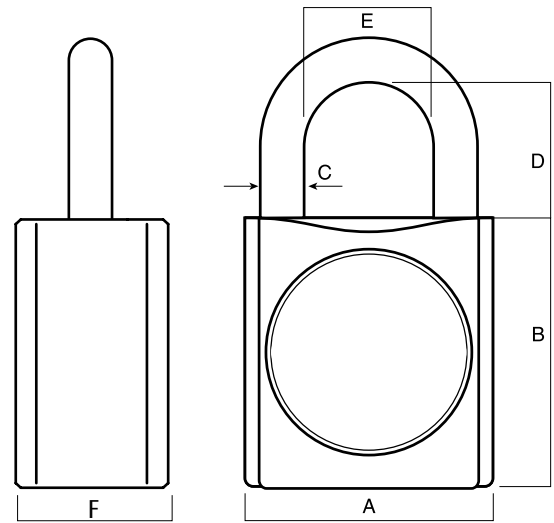
## Features and Specifications

- Powder coated red body
- Hardened steel chrome plated shackle

## Product Details

|                  |  |
|------------------|--|
| <b>Materials</b> | Body: High purity, diecast, zinc alloy.<br>Shackle: Hardened steel.  |
| <b>Function</b>  | Spring loaded shackle with latching function where the key can be removed with the shackle in the open position. |
| <b>Finish</b>    | Body: Red powder coat (003 version) or Brown powder coat.<br>Shackle: Chrome plate.                              |
| <b>Cylinder</b>  | Integrated 5 disc barrel.  |
| <b>Shackles</b>  | 6.4mm diameter, 19mm long.   |

# 225 Series Padlock



## Product Details– Dimensions

|            | A  | B  | C   | D  | E    | F  |
|------------|----|----|-----|----|------|----|
| 225/40/119 | 38 | 38 | 6.4 | 19 | 19.5 | 20 |

## Available Keying Configurations

|            | RKA | LS | KA | KD | 003 |
|------------|-----|----|----|----|-----|
| 225/40/119 | •   | •  | •  | •  | •   |

Note: Red Fire Industry version shown keyed to 003 key.  
Part No: 225/40/119/003

## Padlocks Ordering Procedure

| Padlock Series | Body Width | Shackle Material | Shackle Opening | PackType & Keying |
|----------------|------------|------------------|-----------------|-------------------|
| 225            | 40         | 1                | 19              | KD                |

| Padlock Series | Body Width                   | Shackle Opening             | Pack Types and Keying   |
|----------------|------------------------------|-----------------------------|---|
| 225 Series     | 225<br>Nominal Size in mm 40 | 19<br>Nominal Size in mm 19 | Locksmith LS<br>5 Disc Keyed to Differ KD<br>Keyed Alike KA<br>Random Keyed Alike RKD<br>Fire Industry Code 003 |
|                | Shackle Material             |                             |   |
|                | Hardened Steel 1             |                             |   |



# 412 Series Padlocks



The Lockwood 412 Series Safety Lockout Padlocks are a durable and rugged brass padlock that has been specifically designed to meet the requirements of safety lockout applications.

With advancements in coding capacity and legally protected keyways available, the 412 Series padlock is a superior option for securing your organisation and assets.

The 412 padlock is highly customisable, through a wide range of coloured jackets and options for laser etching.

## Features and Specifications

- Legally protected keyways
- Superior coding capacity
- Primarily used for safety lock out applications
- 6 pin tumbler mechanism
- Self latching or deadlocking (key retained)
- Dual shackle locking points
- Coloured covers available for easy identification

## Product Details

### Materials

Body: Solid brass.  
Shackle: Stainless steel.

### Function

Spring loaded shackle, available with latching function where the key can be removed with the shackle in the open position (L) or deadlocking function where the the key is retained and can only be removed with the shackle in the locked position (D).

### Finish

Body: Natural material.  
Shackle: Natural material.

### Cylinders

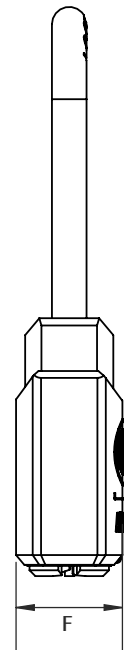
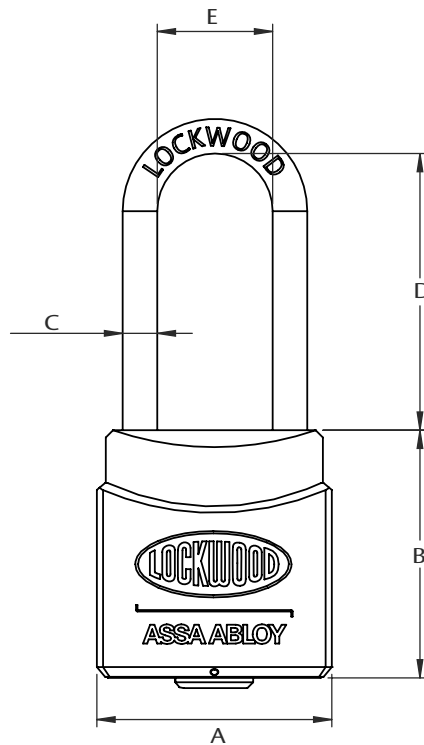
Integrated cylinder, 6 pins.

### Shackles

4.8mm diameter, 38mm and 50mm lengths.

**Note:** Custom marking is available. Pricing and availability on application.

# 412 Series Padlocks



## Product Details- Dimensions

|         | A  | B  | C   | D  | E  | F  |
|---------|----|----|-----|----|----|----|
| 412##38 | 32 | 34 | 4.8 | 38 | 16 | 15 |
| 412##50 | 32 | 34 | 4.8 | 50 | 16 | 15 |

## Available Keying Configurations

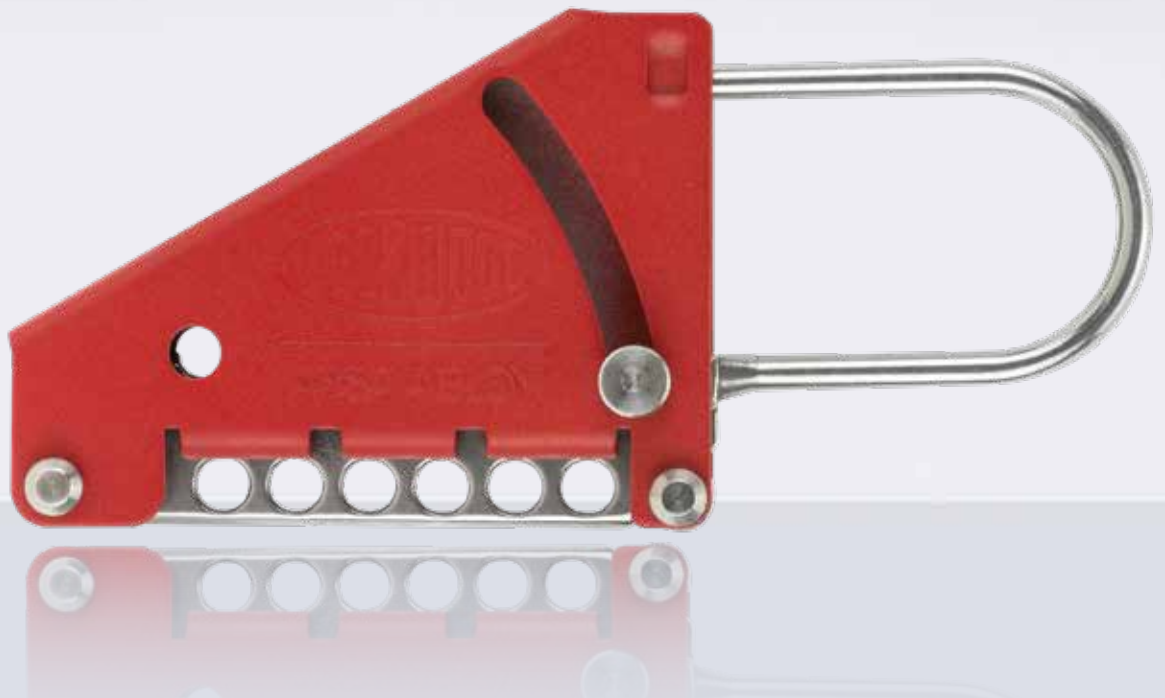
|         | KD | KA | MK | LS |
|---------|----|----|----|----|
| 412##38 | •  | •  |    | •  |
| 412##50 | •  | •  |    | •  |

Note: To ensure key numbers are not duplicated padlocks must be ordered to a site specific key system. If padlocks are ordered without a site specific key system number quoted on the order, key numbers may be duplicated.

## Padlocks Ordering Procedure

| Padlock Series   | Profile              | Function  | Shackle Opening                                      | Etching | Cover Colour | Keying |
|--|----------------------|---|--|---------|--------------|--------|
| 412  | F                    | D   | 50   | E1      | RW           | KD     |
| Padlock Series   | Function             | Cover Colour  | Keying   |         |              |        |
| 412 Series   | 412                  | Deadlocking D<br>Latching L   | Keyed to Differ KD<br>Keyed Alike KA<br>Locksmith LS |         |              |        |
| Profile  | Shackle Opening (mm) | Etching   |  |         |              |        |
| F profile  | 38mm 38<br>50mm 50   | Single Sided E1<br>Double Sided E2<br>Leave blank if no etching is required |  |         |              |        |
| Cover Colour   |                      |   |  |         |              |        |
| Red Solid RD<br>Red Window RW<br>Orange Window OR<br>Yellow Window YE<br>Green Window GR<br>Blue Window BL<br>Purple Window PU<br>Pink Window PI<br>White Window WH<br>Black Solid Cover BK<br>Black Window BW<br>Grey Window GY<br>Red Window with "Danger Do Not Enter" DD |                      |   |  |         |              |        |

# 312 Safety Lockout Hasp



Lockwood's unique patented Safety Lockout Hasp design provides protection for various portable installations suitable for both single and multipoint\* locking applications. This product provides maximum protection when used in conjunction with Lockwood's 312 Series padlocks and ensures equipment can be isolated and not activated again until the repairs or maintenance are completed.

The locked out device cannot be reactivated until all workers have signed off on their portion of the project and removed their padlock from the hasp.

Lockwood's guarantee of quality means that you can be confident in your choice of Lockwood Safety Lockout products.

\*When used in conjunction with 312 cables sold separately.

## Product Details

|                    |  |
|--------------------|--|
| <b>Materials</b>   | Shackle: Stainless Steel.<br>Locking points: Stainless Steel.<br>Rivets: Stainless Steel.<br>Spring: Stainless Steel.<br>Body: Galvanised Steel. |
| <b>Functions</b>   | Single action shackle release trigger.<br>Piggy back function.   |
| <b>Finish</b>      | Powdercoat red.  |
| <b>Accessories</b> | Red PVC coated cables are available separately for multi point locking in lengths of 1.5m, 6m, and 10m.  |

# 312 Safety Lockout Hasp

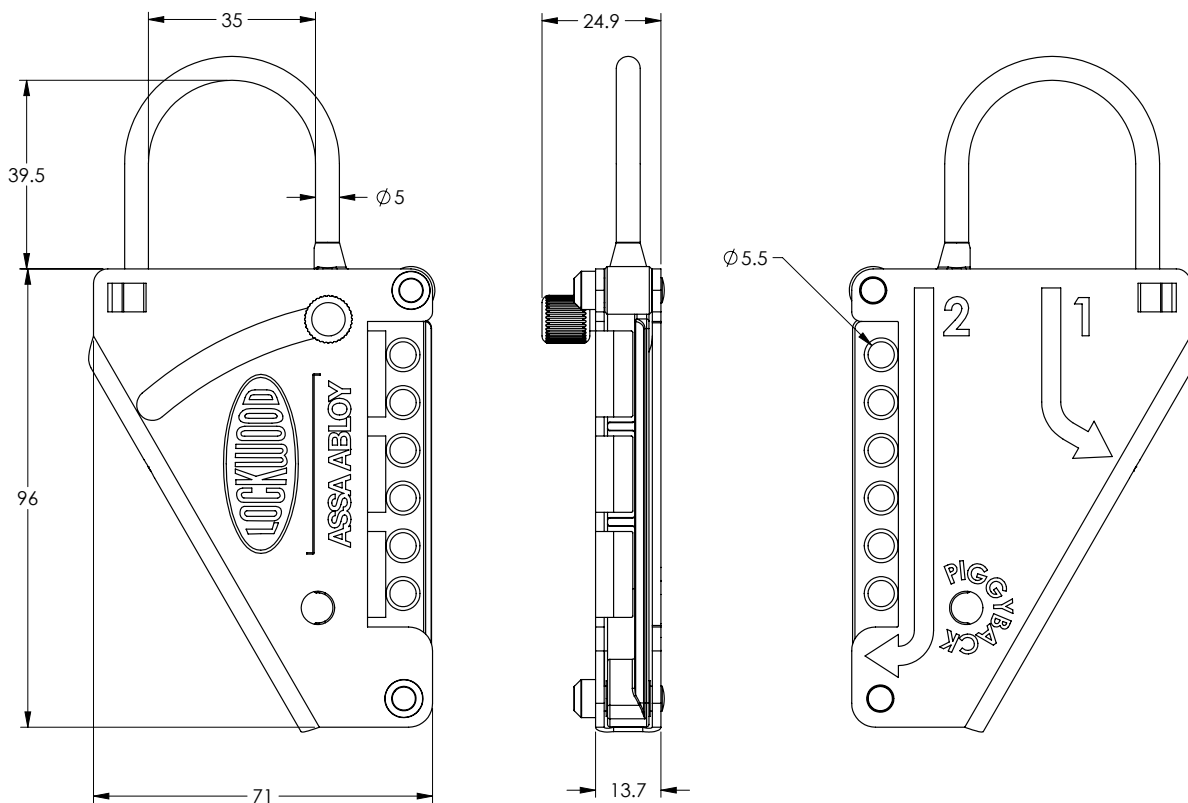
## Features and Specifications

- Multi-function Safety Lockout Hasp with the unique design cable locking feature
- Hardened Stainless Steel hasp
- Self-latching
- Single action shackle release trigger
- Six padlock holes accepts 312 Series padlocks
- Heavy duty stainless steel return spring
- Piggy back function
- Stainless steel body rivets
- Highly visible red powder coat finish
- Multi point locking (when used in conjunction with cable)

## Part Numbers

| Part Number            | Description                             |
|------------------------|---|
| <b>312HASP/SS</b>      | 312 Series safety lockout hasp          |
| <b>312CABLE/R10000</b> | 312 Safety lockout cable red PVC (10M)  |
| <b>312CABLE/R6000</b>  | 312 Safety lockout cable red PVC (6M)   |
| <b>312CABLE/R1500</b>  | 312 Safety lockout cable red PVC (1.5M) |

## Dimensions



# 312 Covered Supervisors Hasp



This product is specifically designed for use with Lockwood's 312 Series padlocks and ensures equipment can be isolated and not activated again until repairs or maintenance is completed.

The locked out device cannot be reactivated until the Supervisors Padlock is unlocked. The Supervisors padlock is only accessible after all workers have signed off on their portion of the project and have removed their padlock from the hasp.

The hasp will lock over a 312 Series Padlock with 10 lockout positions and a window to view the laser etched details on the supervisor's padlock. It is available in two colours, yellow and blue to represent day shift and night shift workers.

Lockwood's guarantee of quality means that you can be confident in your choice of Lockwood Safety Lockout products.

## Features

- Laser etched details window
- 10 lock out positions
- Powder coated yellow and blue finish options
- Durable zinc plated steel construction
- Cut-outs for reduced weight

\*312 padlocks sold separately.

## Product Details

### Materials

Body: Zinc Plated Steel.  
Rivets: Aluminium / Steel.

### Finishes

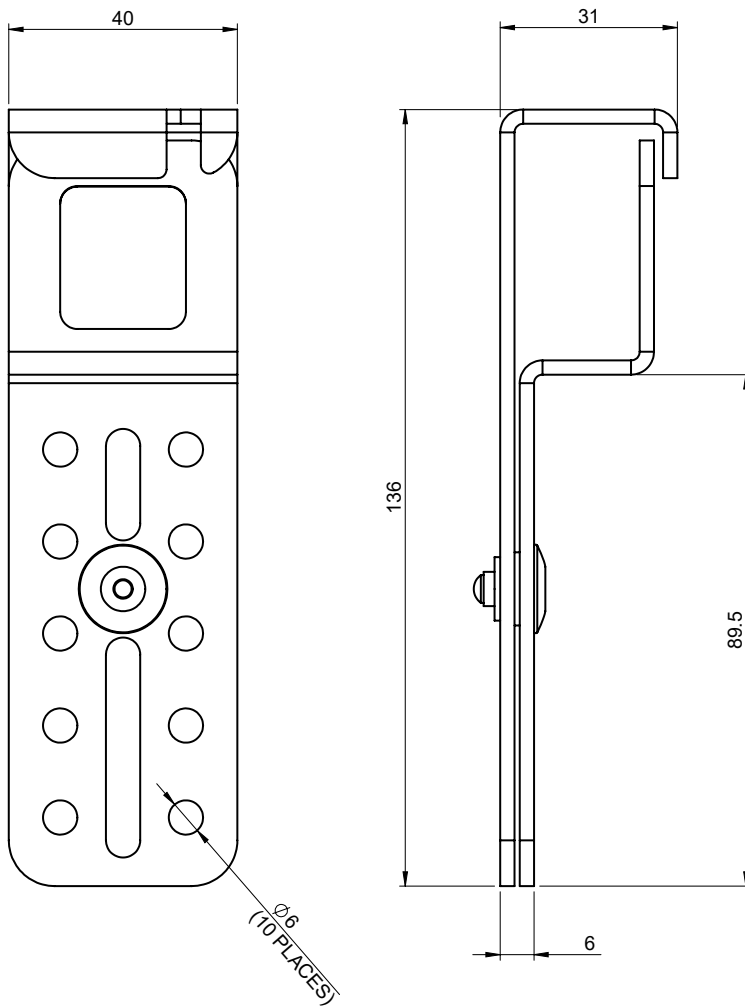
Powder coat colours blue (BL) & yellow (YE).

# 312 Covered Supervisors Hasp

## Part Numbers

| Part Number    | Description                                |
|----------------|--|
| 312HASP/CS10BL | 312 Covered Supervisor Hasp 10 Hole Blue   |
| 312HASP/CS10YE | 312 Covered Supervisor Hasp 10 Hole Yellow |

## Dimensions



# 312 Series Safety Lockout Range - Accessories

## Padlock Holder for 4 Padlocks

|                    |             |
|--------------------|-------------|
| <b>Part Number</b> | 312HOLDER/4 |
| <b>Finish</b>      | Black       |

The Lockwood 312 Holder/4 has the capacity to hold four 312 Lockwood Padlocks (19 mm – 80 mm shackle), a retractable 312 Keyline and 312 Series Safety Jaws.

The carry case is designed to be easily fitted onto your belt. The 312 Holder also includes a clear face compartment which makes identification easy.

**Note:** Padlocks and Accessories are ordered separately.



## Padlock Holder for 6 Padlocks

|                    |             |
|--------------------|-------------|
| <b>Part Number</b> | 312HOLDER/6 |
| <b>Finish</b>      | Black       |

The Lockwood 312 Holder/6 has the capacity to hold six 312 Lockwood Padlocks (19 mm – 80 mm shackle), a retractable 312 Keyline and the 312 Series Safety Jaws.

The carry case is designed to be easily fitted onto your belt. The 312 Holder also includes a clear face compartment which makes identification easy.

**Note:** Padlocks and Accessories are ordered separately.



## Retractable Key Holder

|                    |                    |
|--------------------|--------------------|
| <b>Part Number</b> | 312KEYLINE         |
| <b>Finish</b>      | Chrome Plate/Black |

This compact retractable key holder incorporates a spring loaded mechanism, a robust steel cable line and key ring.

The built in clip allows easy fitting onto the 312 Holder, or can be used independently. The 312 Keyline ensures keys are easily accessible when needed.

**Note:** Padlocks and Accessories are ordered separately.



# 312 Series Safety Lockout Range - Accessories

## Safety Lockout Jaws

| Part Number | Description    |
|-------------|----------------|
| 312JAWS     | 25mm - 6 Holes |
| 312JAWS/7   | 25mm - 7 Holes |

The safety lockout jaws ensure that machinery stays 'locked out' until each person removes his/her padlock from the hasp. This prevents any accidental re-energising of machinery before crews have completed their work.

The 312 Jaw holds up to six 312 padlocks and is made from hardened steel with a vinyl coating.

**Note:** Padlocks and Accessories are ordered separately.





# Trailer Air Coupling Lock



The Lockwood Air Coupling Locks have been designed for the securing of Truck (Trailer) and industrial compressed air line applications. When attached to the air line this product provides security and safety.

**Security:** Whereby the air brakes air line fitting is effectively sealed when the lock is attached, preventing connection to the opposing fitting. In the case of a Trailer application this reduces the risk of the trailer being connected to a truck without authorisation.

**Safety:** In an industrial application the sealing of the air line can reduce the risk of an accidental connection of equipment when shut down for maintenance etc.

The Lockwood Air Coupling Lock range consist of two series, the AL Series and the TL Series.

## AL Series

The AL Series comes with an integrated cylinder that can be keyed to most restricted key systems.

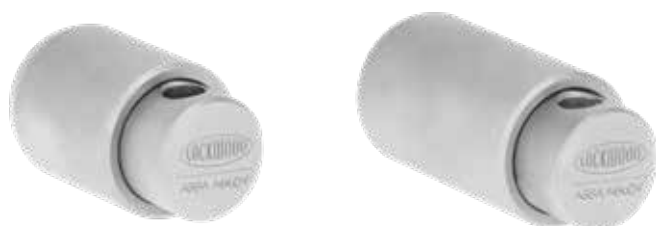
It is available in two models to suit both the ½”NPT female air coupling and the ½” NPT male air coupling.



## TL Series

The TL Series is locked with a padlock. The locking point allows for use of a padlock with under 10mm shackle diameter.

It is available in two models to suit both the ½”NPT female air coupling and the ½” NPT male air coupling.



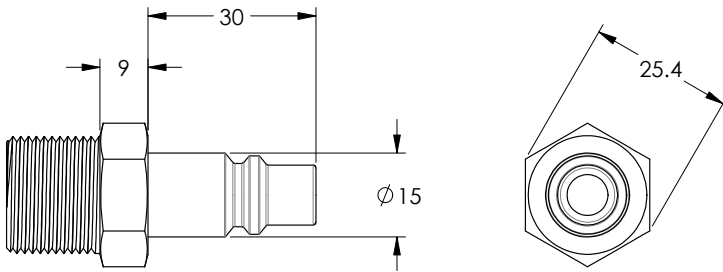
# Air Coupling Types

## Air Coupling Types

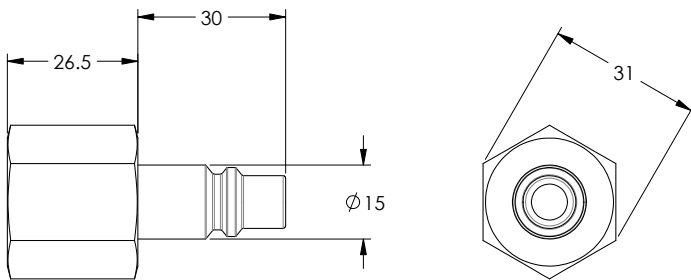
Air Couplings come in different sizes, the AL & TL Series are designed to work with ½ inch couplings;

- 1/2" NPT male coupling = AL Series 63 or TL Series 1/2IN
- 1/2" NPT female coupling = AL Series 81 or TL Series 28MM

Note: Air Couplings are not supplied.



½" NPT male thread coupling



½" NPT female thread coupling

# AL Series



## AL Series

The AL Series comes with an integrated cylinder that can be keyed to most restricted key systems.

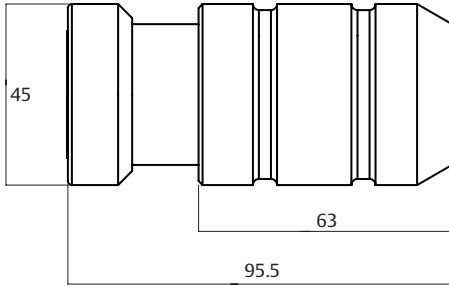
It is available in two models to suit both the ½" NPT female air coupling and the ½" NPT male air coupling.

### Product Details

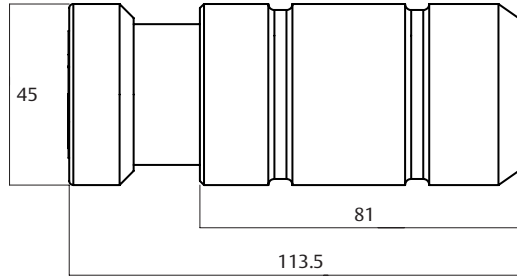
|                       |  |
|-----------------------|--|
| <b>Dimensions</b>     | Diameter: 45mm.<br>Length: <ul style="list-style-type: none"><li>• AL Series 63 - 96mm.</li><li>• AL Series 81 - 114mm.</li></ul>  |
| <b>Materials</b>      | Inner Sleeve: Mild steel.<br>Outer Sleeve: Case hardened steel.  |
| <b>Function</b>       | Spring loaded function allowing for quick snap-on attachment to ½ inch air coupling fittings.<br><br>Locked and unlocked by integrated cylinder. Key retained in unlocked position.  |
| <b>Finish</b>         | Chrome Plate (CP).   |
| <b>Cylinder</b>       | AL Series - 577 Synergy 3500 Series dual access lower cylinder.  |
| <b>Special Keying</b> | Locks can be keyed to a number of controlled and/or specially keyed systems. These range from legally protected keys to protect against unauthorised duplication and can also include specially designed keying systems such as master key systems. This allows for different levels of mechanical access control. |

# AL Series

## AL Series 63



## AL Series 81



## Part Numbers

| Part Number  | Description                    | Coupling Type                 |
|--------------|--------------------------------|-------------------------------|
| AL1/2/63MM## | AL Series 63 Air Coupling Lock | ½" NPT male thread coupling   |
| AL1/2/81MM## | AL Series 81 Air Coupling Lock | ½" NPT female thread coupling |

**Note:** ## in part number is exchanged for keying type.

**KD** = Keyed to Differ (Standard C4 profile 6 pin)

**KA** = Keyed Alike (Standard C4 profile 6 pin)

**MK** = Master Keyed (Standard C4 profile 6 pin)

# TL Series



## TL Series

The TL Series is locked with a padlock. The locking point allows for use of a padlock with under 10mm shackle diameter.

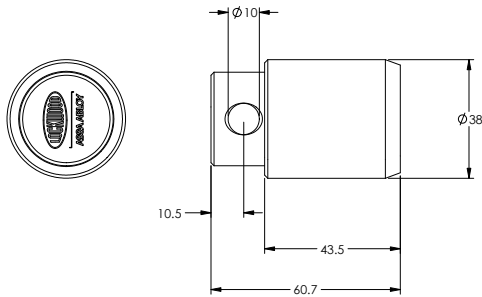
It is available in two models to suit both the ½" NPT female air coupling and the ½" NPT male air coupling. •

### Product Details

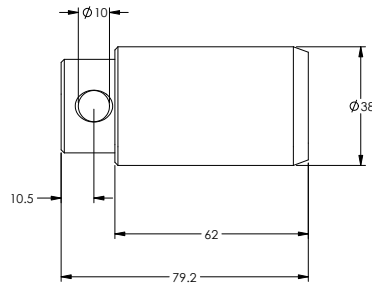
|                   |  |
|-------------------|--|
| <b>Dimensions</b> | Diameter: 38mm.  |
|                   | Length: <ul style="list-style-type: none"><li>• TL Series 1/2IN – 59mm.</li><li>• TL Series 28 – 79mm.</li></ul> |
| <b>Materials</b>  | Inner Sleeve: Mild steel.<br>Outer Sleeve: Case hardened steel.  |
| <b>Function</b>   | Spring loaded function allowing for quick snap-on attachment to ½ inch air coupling fittings.                    |
| <b>Finish</b>     | Satin Chrome Pearl (SP).   |
| <b>Locking</b>    | The TL Series is locked by padlock. Padlocks are available separately and not included.                          |
|                   | Suits padlocks with a shackle diameter of under 10mm and minimum clearance height of 38mm.                       |

# TL Series

## TL Series 1/2IN



## TL Series 28MM



## Part Numbers

| Part Number | Description                       | Coupling Type                 |
|-------------|-----------------------------------|-------------------------------|
| TL1/2IN     | TL Series 1/2IN Air Coupling Lock | ½" NPT male thread coupling   |
| TL28MM      | TL Series 28MM Air Coupling Lock  | ½" NPT female thread coupling |

**Note:** Padlocks are available separately and not included.





**Lockwood** is the leading brand in the Australian locking industry. With an established reputation for high quality products, this iconic brand provides a wide range of locking solutions to residential housing, commercial building and industrial application markets. Lockwood is supported by an extensive distribution and after-sales support network. Our customers include retailers, architects, trade and industrial personnel, locksmiths and security dealers.

**ASSA ABLOY** is the global leader in door opening solutions, dedicated to satisfying end-user needs for security, safety and convenience.

**ASSA ABLOY** is represented in all major regions, in both mature and emerging markets, with leading positions in Australia, Europe and North America.



### **The Lockwood 25 Year Mechanical Warranty**

Our belief that we manufacture the finest premium products available in today's market place is backed by the Lockwood 25 Year Mechanical Warranty, ensuring that Lockwood continues to keep Australians safe by delivering security and peace of mind.

For warranty terms and conditions, please visit [www.lockweb.com.au](http://www.lockweb.com.au) or call **1300WARRANTY**

**ASSA ABLOY Australia Pty Ltd**  
235 Huntingdale Road  
Oakleigh, Victoria, 3166  
Australia

**1300 LOCK UP (1300 562 587)**  
[lockweb.com.au](http://lockweb.com.au)

**ASSA ABLOY New Zealand Ltd**  
6 Armstrong Road  
Albany, Auckland, 0632  
New Zealand

[info.nz@assaabloy.com](mailto:info.nz@assaabloy.com)  
Telephone +64 9415 7111  
[assaabloy.co.nz](http://assaabloy.co.nz)

#### **Disclaimer**

Whilst every effort has been made to ensure that the information (including product images and drawings) contained in this brochure is accurate at the time of publication, ASSA ABLOY Australia Pty Limited ("ASSA ABLOY") recommends that you consult ASSA ABLOY or its agents prior to placing an order to ascertain current information on specific products, as ASSA ABLOY reserves the right to make changes without notice. ASSA ABLOY will not be liable for any injury, loss or damage whatsoever, arising from any errors or omissions in the information contained in the brochure or arising from the use or application of the information contained herein. © 2024 copyright by ASSA ABLOY All rights reserved