

Screen Door Closer



We take the worry out of
protecting what's valuable to you.
Lockwood: *no worries*[®]

LOCKWOOD

ASSA ABLOY

25YEAR

**MECHANICAL
WARRANTY**

www.lockweb.com.au

Hydraulic Screen Door Closer



Description

Lockwood proudly introduces the Lockwood 404 Hydraulic Screen Door closer. The 404 is the first Hydraulic Screen Door Closer specifically designed for the Australian market, suitable for screen doors weighing up to 29kg. The 404 is a heavy duty screen door closer, better suited to stainless steel mesh doors which are heavier than the traditional Diamond Grille security screen doors. Suited to this growing premium door market, this premium screen door closer offers smoother operation and a quality feel. Highly adjustable, it can still be used on traditional screen doors, and offer all those same advantages. And whilst improving on the closer module itself, Lockwood has maintained all the familiar design features, including the Rod Retaining Clip preventing the closer from dislodging.

Features

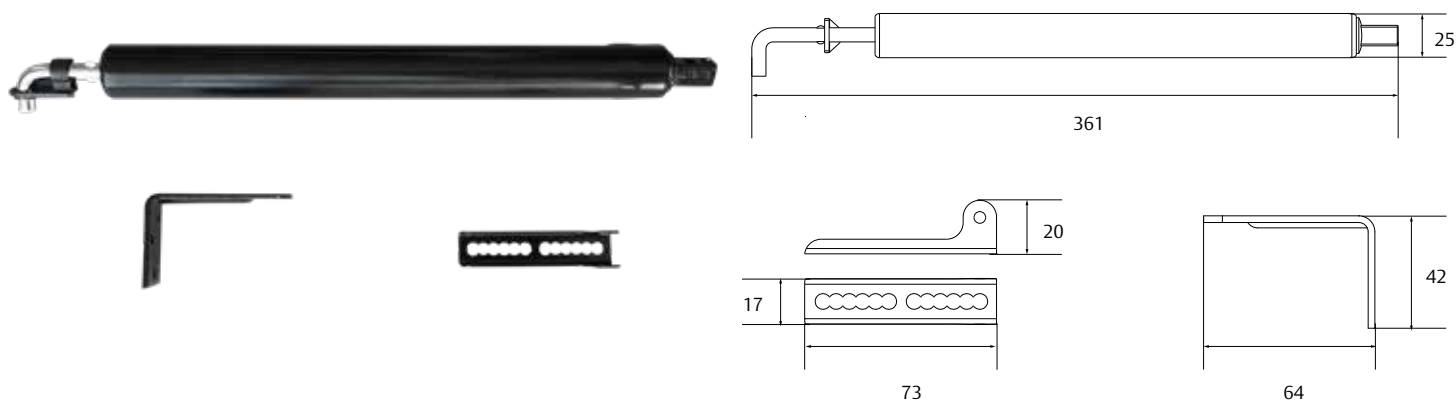
404 Screen Door Closer

- Spring loaded piston in hydraulic unit for smooth closing
- Heavy duty, suits heavier screen doors, without being too strong for lighter doors
- Very high level of adjustability
- Closing speed easily hand adjustable, spinning entire cylinder
- Door hold-open feature
- Surface mounting
- Automatic latch operation
- Easy installation

Product Details

Finishes	Silver (SIL) Black (BLK) White (WH)
Materials	Furniture body: Aluminium End cap: Zinc diecast Steel rod and brackets: Chrome plated

Hydraulic Screen Door Closer



404 Screen Door Closer

Note: length of closer is different to pneumatic closers; if replacing an older pneumatic closer, holes from original brackets will be in different locations.

404 Hydraulic Screen Door Closer

Part Number	Finish	Description
Trade Pack		
404BLK	Black	404 Screen door closer TP
404SIL	Silver	404 Screen door closer TP
404WH	White	404 Screen door closer TP

Note: 404 Screen Door Closer for Doors Weighing up to 29kg.

Pneumatic Screen Door Closer



Description

The Newly Engineered 403 Screen Door Closer is suitable for screen doors weighing up to 21kg. The unique Closing Adjustment Dial offers easy closing speed adjustment. The added Rod Retaining Clip feature provides an extra element of safety, preventing the closer from dislodging.

Features

403 Screen Door Closer

- Spring loaded bleed valve for smooth closing
- Closing speed easily hand adjustable
- Door hold-open feature
- Surface mounting
- Rapid air release function
- Automatic latch operation
- Easy installation

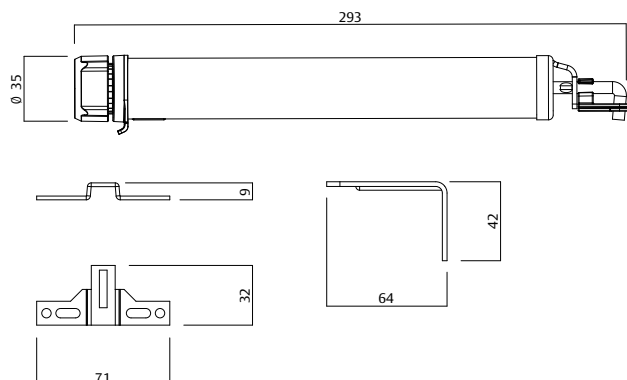
Product Details

Finishes	Brown (BRN)
	Silver (SIL)
	Black (BLK)
	Primrose (PRM)
	White (WH)
Materials	Furniture body: Aluminium
	End cap: Zinc diecast
	Steel rod and brackets: Zinc plated

Pneumatic Screen Door Closer



403 Screen Door Closer



403 Screen Door Closer for Doors Weighing up to 21kg

Ordering Procedure

Product	Finish	Packaging	Part No
403	Brown	Display pack	403BRNDP
	Silver	Display pack	403SILDP
	Black	Display pack	403BLKDP
	Black	Trade pack	403BLK
	Primrose	Trade pack	403PRM
	White	Trade pack	403WH



ASSA ABLOY

Lockwood is the leading brand in the Australian locking industry. With an established reputation for high quality products, this iconic brand provides a wide range of locking solutions to residential housing, commercial building and industrial application markets. Lockwood is supported by an extensive distribution and after-sales support network. Our customers include retailers, architects, trade and industrial personnel, locksmiths and security dealers.

ASSA ABLOY is the global leader in door opening solutions, dedicated to satisfying end-user needs for security, safety and convenience.

ASSA ABLOY is represented in all major regions, in both mature and emerging markets, with leading positions in Australia, Europe and North America.

**25YEAR
MECHANICAL
WARRANTY**

The Lockwood 25 Year Mechanical Warranty

Our belief that we manufacture the finest premium products available in today's market place is backed by the Lockwood 25 Year Mechanical Warranty, ensuring that Lockwood continues to keep Australians safe by delivering security and peace of mind.

For warranty terms and conditions, please visit www.lockweb.com.au or call **1300WARRANTY**

ASSA ABLOY Australia Pty Ltd
235 Huntingdale Road
Oakleigh, Victoria, 3166
Australia

1300 LOCK UP (1300 562 587)
lockweb.com.au

ASSA ABLOY New Zealand Ltd
6 Armstrong Road
Albany, Auckland, 0632
New Zealand

info.nz@assaabloy.com
Telephone +64 9415 7111
assaabloy.co.nz

Disclaimer

Whilst every effort has been made to ensure that the information (including product images and drawings) contained in this brochure is accurate at the time of publication, ASSA ABLOY Australia Pty Limited ("ASSA ABLOY") recommends that you consult ASSA ABLOY or its agents prior to placing an order to ascertain current information on specific products, as ASSA ABLOY reserves the right to make changes without notice. ASSA ABLOY will not be liable for any injury, loss or damage whatsoever, arising from any errors or omissions in the information contained in the brochure or arising from the use or application of the information contained herein. © 2020 copyright by ASSA ABLOY All rights reserved

