

# Sliding Door Hardware



We take the worry out of  
protecting what's valuable to you.

Lockwood: *no worries*<sup>®</sup>

**LOCKWOOD**

**ASSA ABLOY**

**25YEAR** MECHANICAL  
WARRANTY

[www.lockweb.com.au](http://www.lockweb.com.au)

# Contents



**Onyx Patio Sliding**  
Door Lock

page 3



**LW9 Patio Sliding**  
Door Lock

page 13



**Cavity Sliding**  
Door Locks

page 17



**680**  
Patio Bolt®

page 20

# Onyx Patio Sliding Door Lock



The Lockwood Onyx Patio Sliding Door Lock incorporates advanced security and safety features making this product the ideal choice for sliding patio door applications.

## Style and Function

This range takes design cues from contemporary architectural styling and complements several of Lockwood's most popular levers to provide a harmonious look and feel throughout the home.

The functionality of the range has been enhanced by the intuitive operation of the unique sliding snib and the innovative LockAlert® feature that indicates the lock status at a glance.

## Application

Surface mounted lockset suitable for use with most aluminium and timber sliding doors.

The flexible chassis coupled with innovative design features results in a non-handed product that is extremely easy to install and suitable for new and most retrofit applications.

## Product Range

A wide selection of furniture options are available in the range to suit various sliding door applications. The range includes internal D handles and slim pulls and a variety of external furniture and strike options.



**DualSelect®**  
Turn the key for safety mode. Turn the key further to select secure mode.



**Twin Locking Beaks**  
For added security.



**LockAlert®**  
Interior Indicator shows lock status at a glance.



**Secure Mode**  
Securely locked from both inside and outside. For when nobody is home.



**Door Close Detect (DCD)**  
Anti slam feature protects from accidental damage and ensures door is closed before being latched or locked.



**2 Keys Included**  
Can be keyed alike to other Lockwood door locks.

## Product Details

**Door Thickness** 19mm to 50mm with the standard screw fixing pack provided

**Finishes**  
Black Powdercoat (**BLK**)  
Silver Powdercoat (**SIL**)  
White Powdercoat (**WH**)  
Satin Chrome Pearl (**SP**)

**Fixing** Surface mounted lockset with concealed fixing. Industry standard 82mm pitching centres.

**Handing** Unique modular design allows for non handed installation.

**Keying** Supplied individually keyed with two keys per lock with 78,000 key combinations. Key blank KB2015P. Restricted keying also available on special request.

**Materials** Zinc diecast construction & Brass cylinders.\*  
\*Satin Chrome Pearl finish.

**Note:** Other plated and powdercoated finishes available as special order.

## Standards and Compliance

**S4** (Security) Australian Lock Standard (AS4145.2.2008)

**D8** (Durability) Australian Lock Standard (AS4145.2.2008)



**Kinetic Defence®**  
Bump and pick resistant.



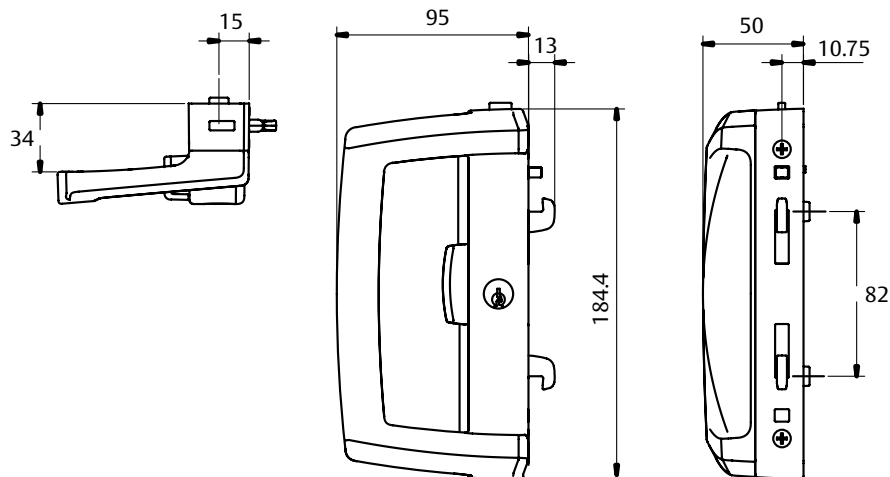
Timber



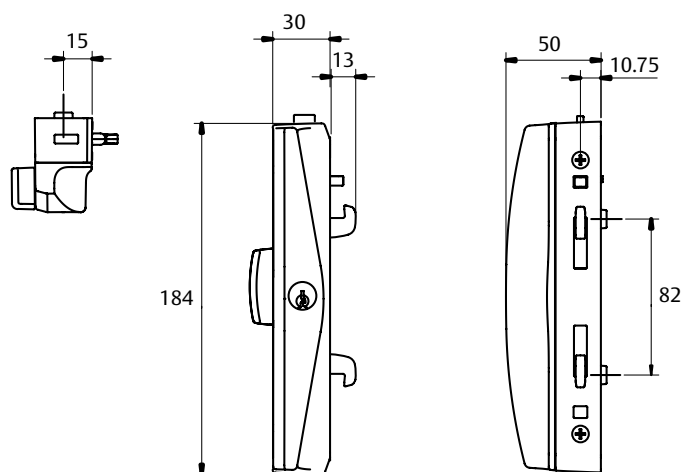
Aluminium

# Patio Sliding Door Lock

## Internal Furniture



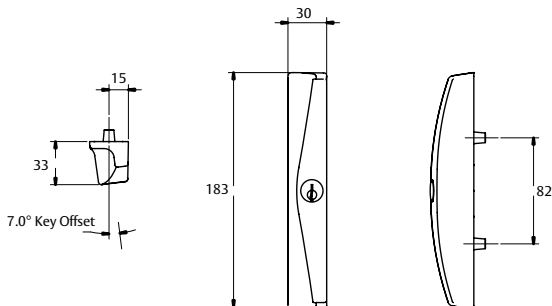
- 1 D-Handle Locking
- 2 D-Handle Non Locking
- 5 D-Handle Dummy



- 3 Slim Pull Locking
- 4 Slim Pull Non Locking
- 6 Slim Pull Dummy

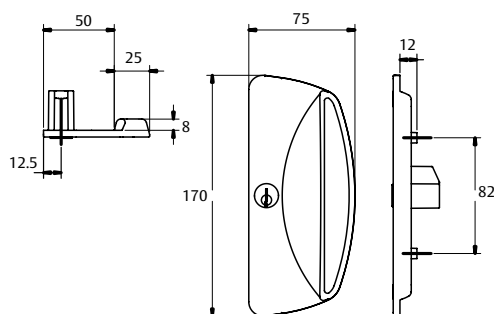
# Patio Sliding Door Lock

## External Furniture



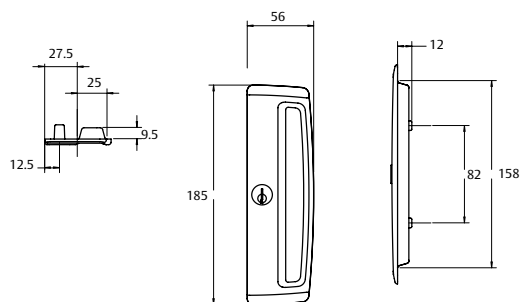
A Slim Pull Locking

B Slim Pull Non-Locking



C Flat Outer Pull Locking

D Flat Outer Pull Non Locking

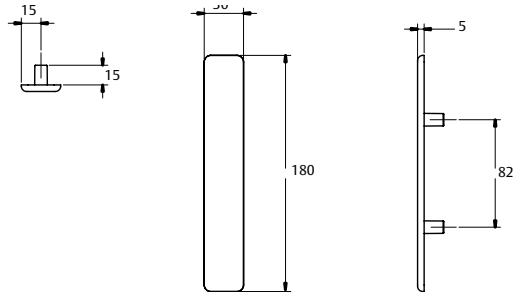


E Mortice Pull Locking

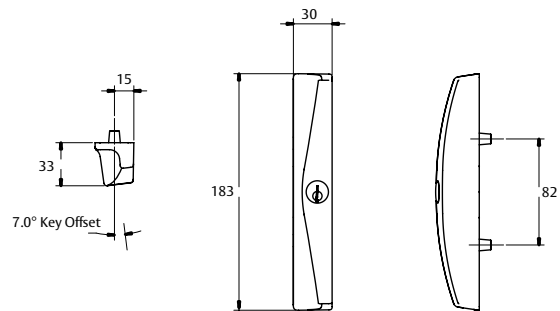
F Mortice Pull Non Locking

# Patio Sliding Door Lock

## External Furniture



G Cover Plate

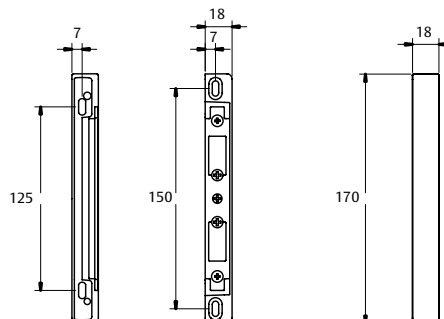


L Polymer Pull Non-Locking

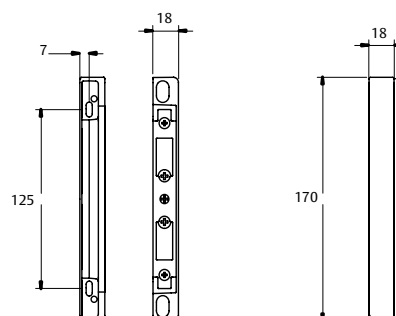
K Polymer Pull Locking

# Patio Sliding Door Lock

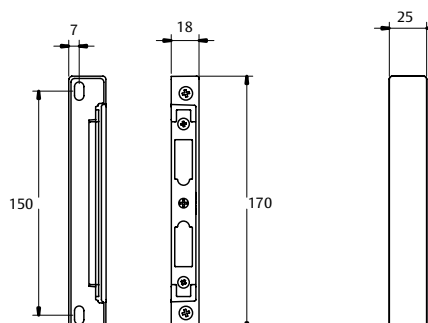
## Strikes



1 Surface (Front) Fix



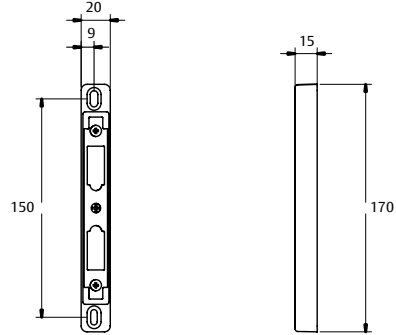
2 Universal Fix



3 Extra Width Surface Fix

# Patio Sliding Door Lock

## Strikes

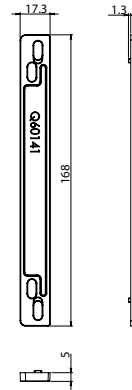
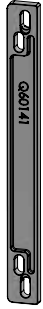


4 Side (Face) Fix

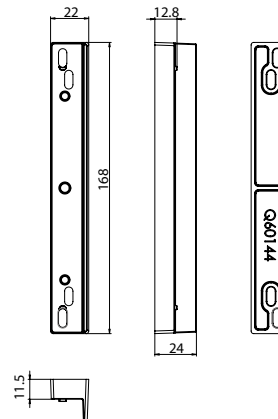


# Patio Sliding Door Lock

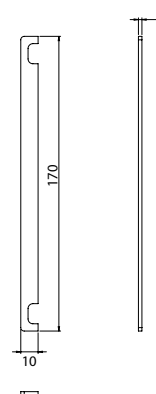
## Onyx 5mm Universal Strike Packer - 9A-141BLK



## Onyx 11.5mm Universal Strike Packer - 9A-144BLK

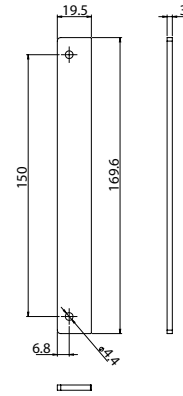


## Onyx 2mm Extra Width Strike Packer - 9A-145BLK

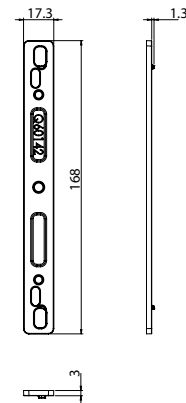


# Patio Sliding Door Lock

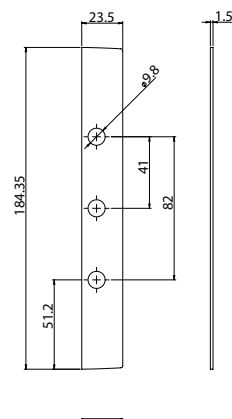
## Onyx 3mm Extra Width Strike Packer - 9A-143BLK



## Onyx 3mm Surface Fix Strike Packer - 9A-142BLK

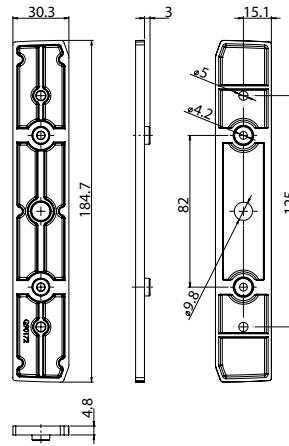


## Onyx 1.5mm Handle Packer - 9A-151BLK



# Patio Sliding Door Lock

## Onyx 5mm Handle Packer - 9A-15\*



\* Specify colour (refer to page 12), additional lead time and costs apply.

# Patio Sliding Door Lock

## Ordering Information

Sample part number 9A1B2/5PBLK is made up of several sections.

Choose your product by selecting an option from each section.

For example:

Platform / Suite	Internal Furniture	External Furniture	Strike	Cylinder	Finish
9A	1	B	2	5P	BLK

Platform / Suite	
Lockwood Patio Door, Style A	9A

Internal Furniture	
No Internal Furniture *	0
D Handle Locking	1
D Handle Non Locking	2
Slim Pull Locking	3
Slim Pull Non Locking	4
D Handle Dummy	5
Slim Handle Dummy	6
DAS Handle Locking (D with aided snib)	7
DAS Handle Non Locking (D with aided snib)	8

External Furniture	
No External Furniture *	X
Slim Pull Locking	A
Slim Pull Non Locking	B
Flat Outer Pull Locking	C
Flat Outer Pull Non Locking	D
Mortice Pull Locking	E
Mortice Pull Non Locking	F
Cover Plate	G
Polymer Pull Locking	K
Polymer Pull Non Locking	L

\* Exterior furniture plate is required to fix internal furniture to door with through screws.

Strike	
No Strike	0
Surface (Front) Fix	1
Universal Fix	2
Extra Width Surface Fix	3
Side (Face) Fix	4

Cylinder	
5 pin Cylinder/s	5P
6 pin Cylinder/s	6P
No Cylinders - order cylinder separately	NC
Non Keyed Lockset	XX

Finish	
Black	BLK
Silver	SIL
White	WH
Satin Chrome Pearl	SP
Polyester Powder Coat*	PPC

Furniture comes complete with lock or dummy chassis and fixing screw pack to suit 19 – 50mm thick doors.

\* No internal furniture option will also come less lock chassis.

\* Specify colour (Dulux number), additional lead time and costs apply.

^ Part number convention is for reference only, not all possible combinations will be available as a pre packed lockset. Some configurations will need to be made up of sub-assemblies. i.e. Two or more line items may be required to make up desired configuration.

# LW9 Patio Sliding Door Lock



The Lockwood LW9 Patio Sliding Door Lock is a new surface mounted, Twin-beak Patio Sliding Door Lock incorporating sleek and modern styling with an innovative snib design that is both ergonomic and intuitive in operation.

## Style and Function

The patented snib operation is the standout feature of this lock. A smaller handle inside the D-handle, the snib lock is used for Safety Mode locking. It unlocks the door when pulled in the opening direction and locks when pushed in the closing direction, making it possible for one fluid motion to unlock-open and close-lock. Aside from the ease of operation, the snib-lock also becomes an easy, yet subtle visual indicator of lock status. The lock can be further deadlocked to Secure Mode with the key.

The range is styled with minimalistic and universally appealing lines allowing it to cleanly match to just about any other styling in the home.

## Application

Surface mounted lockset suitable for use with most aluminium and timber sliding doors.

The flexible chassis coupled with innovative design features results in a non-handed product that is extremely easy to install and suitable for new and most retrofit applications

## Product Range

The range comes with an internal D Handle and an external Pull handle with the options for a Universal or Wide Strike, and is available in our most popular colours.



**DualSelect®**  
Turn the key for safety mode (Day Latching). Turn the key further to select secure mode (Deadlocking).



**Twin Locking Beaks**  
For added security.



**Secure Mode**  
Securely locked from both inside and outside. For when nobody is home.



**Door Close Detect (DCD)**  
Anti slam feature protects from accidental damage and ensures door is closed before being latched or locked.



**2 Keys Included**  
In locking version.

## Product Details

<b>Door Thickness</b>	19mm to 45mm with the standard screw fixing pack provided
<b>Finishes</b>	Black Powdercoat ( <b>BLK</b> ) Silver Powdercoat ( <b>SIL</b> ) White Powdercoat ( <b>WH</b> )
<b>Fixing</b>	Surface mounted lockset with concealed fixing. Industry standard 82mm pitching centres.
<b>Handing</b>	Unique modular design allows for non handed installation.
<b>Keying</b>	Supplied individually keyed with two keys per lock with 78,000 possible key combinations.
<b>Materials</b>	Zinc diecast chassis construction Aluminium diecast furniture Brass cylinders with Satin Chrome Pearl finish.



**Kinetic Defence®**  
Bump and pick resistant.



Timber



Aluminium

# LW9 Patio Sliding Door Lock

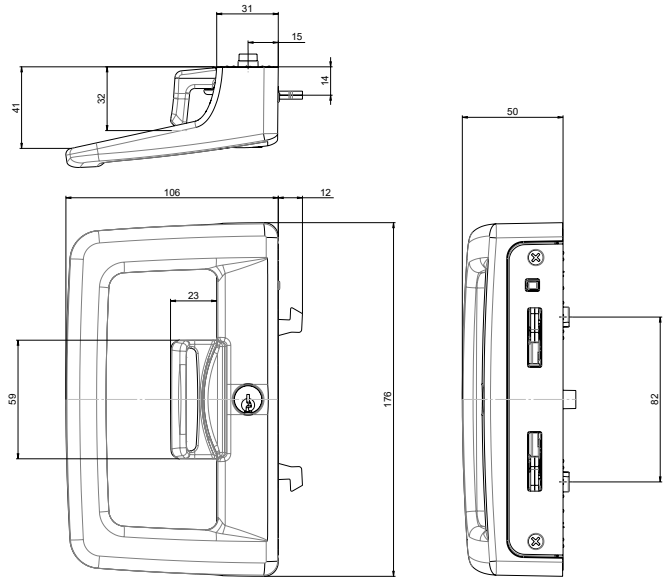
## Internal Furniture - D-Handle



D-handle Locking



D-handle Non-Locking



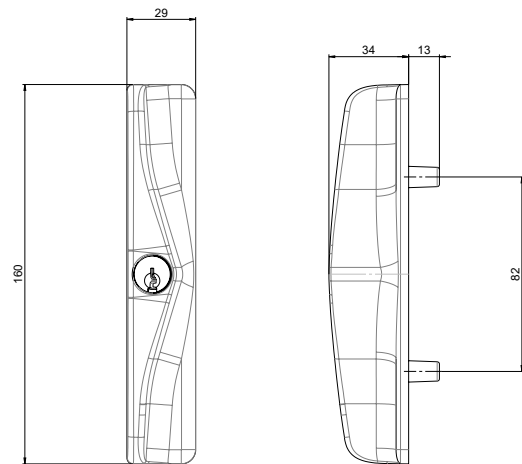
## External Furniture – Slim Pull



Slim Pull Locking



Slim Pull Non-Locking

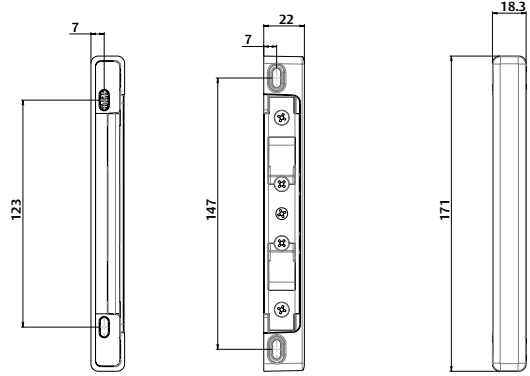


# LW9 Patio Sliding Door Lock

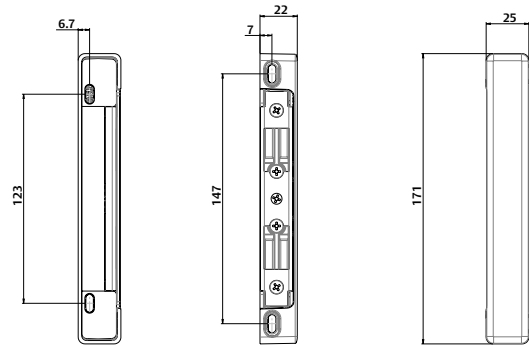
## Strikes



Universal Strike



Wide Strike

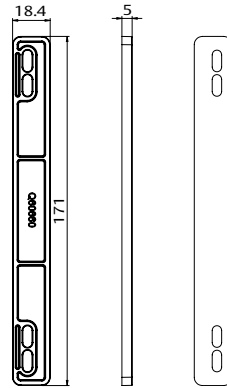


# Patio Sliding Door Lock

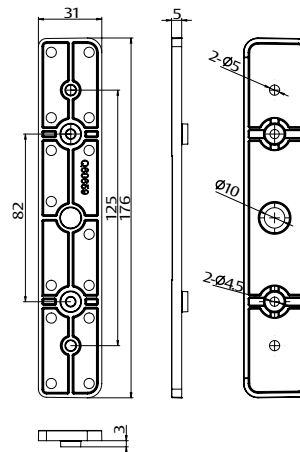
## Packers



**LW9 5mm Universal Strike Packer - LW9X-2BLK**



**LW9 5mm D-Handle Packer - LW9X-1BLK**



## Ordering - Trade Pack

### D Handle Inner & Slim Outer Pull

Description	Finish	Part Number
LW9 SD Internal Locking D Handle/External Locking Pull Uni Strike 5p Double Cylinder	Black	LW914UBLK
LW9 SD Internal Non Locking D Handle/External Non Locking Pull Uni Strike No Cylinder	Black	LW910UBLK
LW9 SD Internal Non Locking D Handle/External Non Locking Pull Uni Strike No Cylinder	Silver	LW910USIL
LW9 SD Internal Non Locking D Handle/External Non Locking Pull Uni Strike No Cylinder	White	LW910UWH
LW9 SD Internal Non Locking D Handle/External Non Locking Pull Extra Width Strike No Cylinder	Black	LW910WBK
LW9 SD Internal Non Locking D Handle/External Non Locking Pull Extra Width Strike No Cylinder	Silver	LW910WSIL
LW9 SD Internal Non Locking D Handle/External Non Locking Pull Extra Width Strike No Cylinder	White	LW910WWH

### LW9 Spare Parts- Cylinders

Description	Part Number
LW9 5 Pin Double Cylinder Assembly Keyed 1 to 10*	LW9X4X-**
LW9 5 Pin Internal Cylinder Assembly Keyed 1 to 10*	LW9X3X-**
LW9 5 Pin External Cylinder Assembly Keyed 1 to 10*	LW9X6X-**

### LW9 Spare parts- Packers

Description	Part Number
LW9 5mm D-Handle Packer	LW9X-1BLK
LW9 5mm Universal Strike Packer	LW9X-2BLK



# LW9 Patio Sliding Door Lock

## Ordering Information

Sample part number LW914UBLK shown below is the main configuration made available direct from Lockwood.

For other configurations relating to cylinder options, as well as possible key-coding options, please contact your preferred distributor.

The Part Number Matrix below is included here for reference for understanding the different designations, but as noted, not all configurations may be available.

For example:

Product Family	Product Variation	Product Function	Strike	Finish
LW9	1	4	U	BLK

Product Family	Product Function	Strike
Sliding Patio Door Lock LW9	No Cylinder 0 Inside Cylinder 3 Double Cylinder 4 Dummy Function (No Locking) 5 External Cylinder 6	No Strike X Universal 15.8mm Strike U Wide 25mm Cross Fixing Strike W

Product Variation	Finish
D Pull Only (No Outside Handle) 0 D Pull Inside (Slim Pull Outside) 1 No D Pull Inside (Slim Pull Outside Only) 2 No Furniture X	Black BLK Silver SIL White WH

^ Part number convention is for reference only, not all possible combinations will be available as a pre packed lockset. Some configurations will need to be made up of sub-assemblies. i.e. Two or more line items may be required to make up desired configuration.

# Cavity Sliding Door Locks



Lockwood's sliding door lock range is possibly the most innovative and aesthetically pleasing lock for a cavity sliding door in Australia. Combining elegance and ease of use, the Lockwood Cavity Sliding Door Lock range is ideal for any home décor and security solution.

Not only will the internal bathroom or lounge room sliding door have a contemporary look, but the interconnecting door from the garage to the laundry can be fitted with a key lockable entrance-set for security.

## Features and Specifications

- Fitted flush against the panel of the sliding door for full recess into the door cavity
- Entrance, Privacy, Passage and Passage Latch models available for the complete residential solution

### Retractable door pull

Designed after extensive research, the sliding cavity door lock features an innovative retractable door pull which combines style with functionality.

### Key lockable solution

The key lockable Entrance Set model protects sliding perimeter doors with the added confidence of Australian Standard compliance for AS4145.2-2008: Tested to exceed 30,000 turn cycles withstanding 3 kN of pull force.

## Product Details

<b>Cross Drill</b>	25mm
<b>Door Thickness</b>	32* to 40mm for timber doors *Requires spacer ring (included)
<b>Finishes</b>	Chrome Plate (CP) Satin Chrome Pearl (SP)
<b>Latch Backset</b>	60mm
<b>Prep Hole</b>	54mm
<b>Strike</b>	Box strike or pip strike (passage)
<b>Materials</b>	Furniture plate: Zinc Alloy Bolt: Nickel Plated Zinc (12.4mm projection) Bolt Beak: Stainless Steel Front End Plate: Stainless Steel Retractable Door Pull: Zinc Plated Strike Plate: Stainless Steel Strike Box: Zinc Plated Keys: Brass

# Cavity Sliding Door Locks

## 7444 Entrance Set

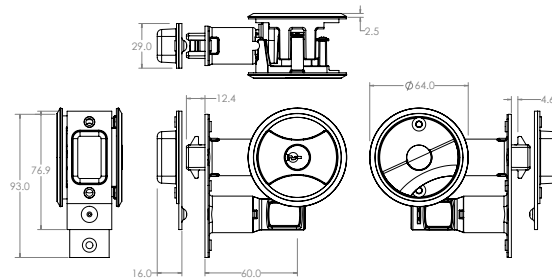
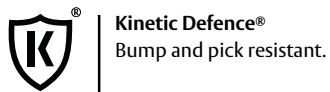
Part Number	Finish
7444CPDP	Chrome Plate
7444SPDP	Satin Chrome Pearl

### Outside

Locked or unlocked by key

### Inside

Locked or unlocked by turn-plate



Exterior

Interior

## 7400 Privacy Set

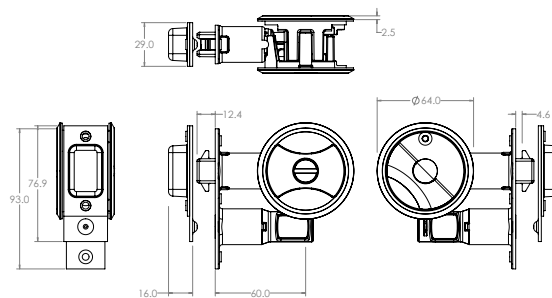
Part Number	Finish
7400CPDP	Chrome Plate
7400SPDP	Satin Chrome Pearl

### Outside

Emergency release button opened by coin or screwdriver

### Inside

Locked or unlocked by turn-plate



Exterior

Interior

# Cavity Sliding Door Locks

## 7410 Passage Latch Set

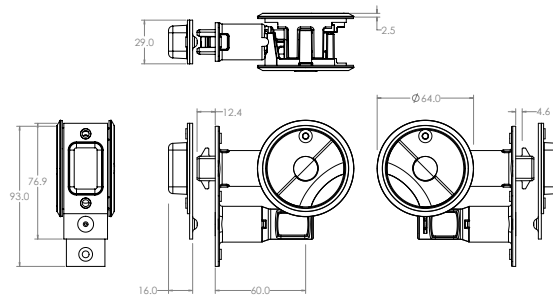
Part Number	Finish
7410CPDP	Chrome Plate
7410SPDP	Satin Chrome Pearl

### Outside

Locked or unlocked by turn-plate

### Inside

Locked or unlocked by turn-plate



Exterior

Interior

## 7450 Passage Set

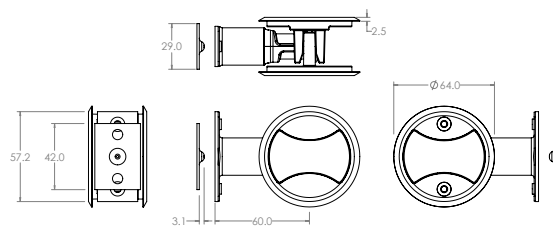
Part Number	Finish
7450CPDP	Chrome Plate
7450SPDP	Satin Chrome Pearl

### Outside

Free to slide door at all times

### Inside

Free to slide door at all times



Exterior

Interior

## Vivid® Collection Privacy Cavity Door Sliders

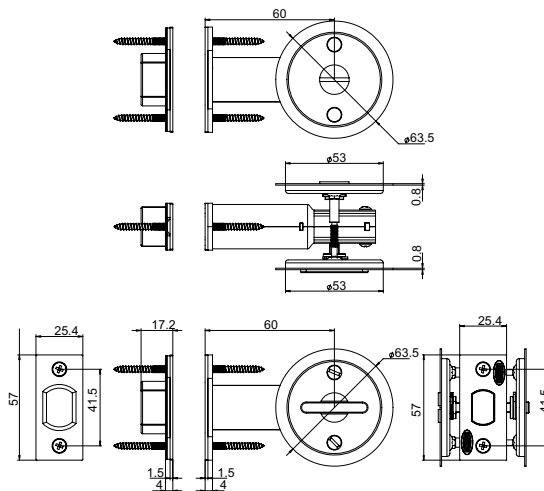
Part Number	Finish
VIVCAV2/SBPVD	PVD Satin Brass
VIVCAV2/GMPVD	PVD Satin Gun Metal
VIVCAV2/BZPVD	PVD Satin Bronze

### Outside

Emergency release button opened by coin or screwdriver

### Inside

Locked or unlocked by turn-plate



Exterior

Interior

# 680 Patio Bolt®



The Lockwood 680 Lockable Patio Bolt is a strong, heavy duty, surface mounted product designed to improve security in a range of residential sliding and hinge door applications.

It is easy to install and has been designed to suit a wide range of aluminium and timber sliding patio and hinge door applications.

It is offered in chrome plate, satin chrome pearl and a range of powdercoat finishes.

## Keying

### Standard Keying

- Supplied individually keyed with two keys per lock
- 78,000 key combinations
- Key blank KB2015P

### Restricted Special Keying

Lockwood locks can be keyed to a number of controlled and/or specially keyed systems. These range from legally protected keys to protect against unauthorised duplication, which can also include specially designed key systems such as master key systems, which allow for different levels of mechanical access control.

Please refer to Lockwood Keying Catalogue or contact your local sales office or customer service for specific information.



**Kinetic Defence®**  
Bump and pick resistant.



**2 Keys Included**  
Can be keyed alike to other Lockwood door locks.

## Product Details

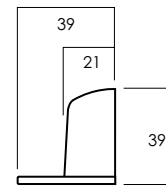
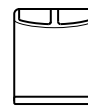
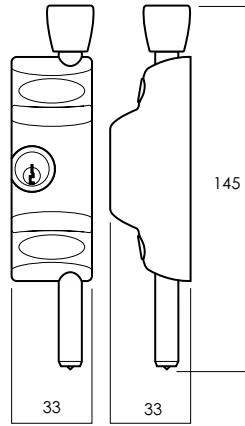
<b>Bolt</b>	Steel, zinc plated
<b>Bolt Head</b>	Powder coat models: Moulded from ABS polymer. Plated models: Bright chrome plated high pressure zinc alloy.
<b>Case</b>	High purity high pressure zinc alloy
<b>Cylinder</b>	Solid brass 5 pin cylinder
<b>Finishes</b>	Chrome Plate (CP) Satin Chrome Pearl (SP) Range of Powdercoat finishes
<b>Fixing</b>	Concealed fixing by Phillips head screws

## Standards and Compliance

<b>SL6</b>	Exceeds Australian Standard 4145.2-2008, Mechanical Locksets for Doors and Windows in Buildings, to Level SL6
<b>SL4</b>	Exceeds Australian Standard 4145.2-2008, Mechanical Locksets for Doors and Windows in Buildings, with standard length bolt, to Level SL4 – with accessory extended length bolt.

# 680 Patio Bolt®

## 680 Patio Bolt



## Ordering

### 680 Patio Bolt-Display Pack

Finish	Part Number	Cylinder
Satin Chrome Pearl	680-NSPDP	SP cylinder
Black	680-NBLKDP	SP cylinder

### Single 680 Patio Door Bolt

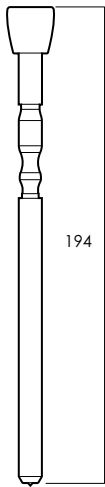
Standard Diecast Strike, Flat Strike and Ferrule Strike.

### 680 Patio Bolt-Trade Pack

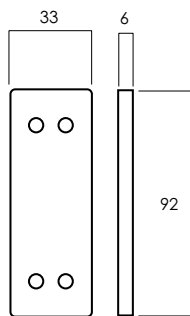
Finish	Part Number
Chrome Plate	680-NCP
Satin Chrome Pearl	680-NSP
Black	680-NBLK
Brown	680-NBRN
Primrose	680-NPRM
White	680-NWH

Complete with Standard Diecast Strike

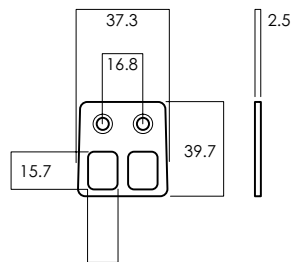
# 680 Patio Bolt® - Accessories



Extended Bolt



Case Packer



Flat Strike

## Spare Parts/Accessories

	Finish	Part Number	Description
<b>Flat Strike</b>	Zinc Plated Steel	680-N453	2.5mm flat strike
<b>Case Packer</b>	Plastic Black (6.0mm)	680-N316	6mm thick case packer for use under the lock body
<b>Extended Bolt - Extended by 50mm</b>	Black	680-N210BLK	Extended 50mm length bolt with black molded plastic head



**Lockwood** is the leading brand in the Australian locking industry. With an established reputation for high quality products, this iconic brand provides a wide range of locking solutions to residential housing, commercial, semi-commercial, building and industrial application markets. Lockwood is supported by an extensive distribution and after-sales support network. Our customers include retailers, architects, trade and industrial personnel, locksmiths and security dealers.

**ASSA ABLOY** is the global leader in door opening solutions, dedicated to satisfying end-user needs for security, safety and convenience.

**ASSA ABLOY** is represented in all major regions, in both mature and emerging markets, with leading positions in Australia, Europe and North America.



### **The Lockwood 25 Year Mechanical Warranty**

Our belief that we manufacture the finest premium products available in today's market place is backed by the Lockwood 25 Year Mechanical Warranty, ensuring that Lockwood continues to keep Australians safe by delivering security and peace of mind.

For warranty terms and conditions, please visit [www.lockweb.com.au](http://www.lockweb.com.au) or call **1300WARRANTY**

**ASSA ABLOY Australia Pty Ltd**  
235 Huntingdale Road  
Oakleigh, Victoria, 3166  
Australia

**1300 LOCK UP (1300 562 587)**  
[lockweb.com.au](http://lockweb.com.au)

**ASSA ABLOY New Zealand Ltd**  
6 Armstrong Road  
Albany, Auckland, 0632  
New Zealand

[info.nz@assaabloy.com](mailto:info.nz@assaabloy.com)  
Telephone +64 9415 7111  
[assaabloy.co.nz](http://assaabloy.co.nz)

#### **Disclaimer**

Whilst every effort has been made to ensure that the information (including product images and drawings) contained in this brochure is accurate at the time of publication, ASSA ABLOY Australia Pty Limited ("ASSA ABLOY") recommends that you consult ASSA ABLOY or its agents prior to placing an order to ascertain current information on specific products, as ASSA ABLOY reserves the right to make changes without notice. ASSA ABLOY will not be liable for any injury, loss or damage whatsoever, arising from any errors or omissions in the information contained in the brochure or arising from the use or application of the information contained herein. © 2024 copyright by ASSA ABLOY All rights reserved