

Vivid[®] Collection



We take the worry out of
protecting what's valuable to you.
Lockwood: *no worries*[®]

LOCKWOOD

ASSA ABLOY

25YEAR MECHANICAL
WARRANTY

www.lockweb.com.au

Contents



Internal Door

Leversets

page 6



Sliding Door

Flush Pulls

page 12



Cavity Sliding Door

Edge Pulls

page 14



Cavity Sliding

Privacy Cavity Door Slider

page 16



Accessories

Door Stops

page 18



Accessories

Hinges

page 20

Also available in PVD Satin Bronze
and PVD Satin Gun Metal Finish.

LOCKWOOD VIVID® COLLECTION

Unleash your Style

Proudly introducing the Lockwood Vivid® Collection. Available in three luxurious finishes – SATIN BRASS, SATIN GUNMETAL, and SATIN BRONZE, this is a range well-placed to satisfy the growing consumer trend towards coloured door hardware finishes. Gunmetal is a popular choice thanks to its versatility, and it works with almost any décor style, from sleek and modern to heritage charm. There is also an emerging preference for warmer, natural tones such as brass and bronze, which work well in Modern Country and Hamptons-inspired homes and add character to new builds.

Vivid® Collection levers come in Passage, Privacy and Dummy internal door formats, as well as sliding door components like cavity sliders, edge pulls, and flush pulls. Accessories such as door stops and hinges complete the full internal application.

The Vivid® Collection's three finishes are derived from a physical vapor deposition (PVD) surface treatment which offers a range of benefits, including sustainability and durability. PVD coatings exhibit unparalleled hardness, with four times the robustness of chrome, along with superior scratch and wear resistance, and reduced susceptibility to corrosion. In addition, PVD coatings do not emit toxic liquids or gases during manufacturing, making them a cleaner and safer method of production.

With the peace of mind that PVD provides, and the variety of coloured finishes to match any home décor style, Vivid® is the complete solution for renovators and new home builders alike.



- Bedroom (Passage / Dummy Lever)
- Bathroom / Ensuite (Privacy Leverset)
- Kitchen Pantries, other Sliding Doors
(Flush Pull, Edge Pull and Cavity Slider Privacy Set)
- Every Internal Hinged Door
(Door Stop and Loose Pin Hinges)



Vivid® Collection Internal Door Leversets



The Lockwood Vivid® Collection is a stylish range of internal door furniture suitable for use in residential dwellings.

The Vivid® Collection includes three different internal leversets: the Privacy Leverset, Passage Leverset and Half Dummy Lever.

The Privacy Leverset comes with Privacy Tubular Latches and an accessory pack (including spindles, springs, mounting wood screws, through fix screws, privacy pin and a pointed tool), while the Passage Leverset comes with tubular latches and a different accessory pack (including spindles, springs, mounting wood screws, and through fix screws), specifically designed for passage door applications. The Half Dummy Lever comes with a fixed lever and timber mounting screws to be used on cupboard or wardrobe doors.



Features and Specifications

- All fixings are concealed beneath a removable rose trim providing an aesthetically appealing installation.
- Lever range includes two AS1428.1 compliant levers
- The 54mm rose suits up to 45mm door preparations.

Product Details

Rose Dimensions	54mm diameter x 12mm
Materials	All visible surfaces 304 stainless steel with durable PVD surface treatment.
Latches	Passage sets are available with a 60mm backset tubular latch. Privacy sets are supplied with a 60mm backset privacy latch which includes a privacy pin for the inside of the door and an external emergency release function. The latch is automatically released when the internal handle is operated and is easily adapted for both open in and open out applications. All latches are supplied with industry standard "T" strikes box.
Door Thickness	32-45mm hinged door for Privacy set 32-45mm hinged door for Passage set
Finishes	PVD Satin Brass (SB), PVD Satin Gun Metal (GM), PVD Satin Bronze (BZ)

Standards and Compliance

D7	Tested to AS4145.2 2008 for Durability passing D7 - 300,000 cycles.
	Tested to AS4145.2 2008 for Neutral Salt Spray, passing C6 - 168 hours.
	Vivid® Collection includes levers (as shown) that meet the requirements of AS1428.1-2009, Designed for access and mobility.

Vivid® Collection Internal Door Leversets

Lever 1 - Passage

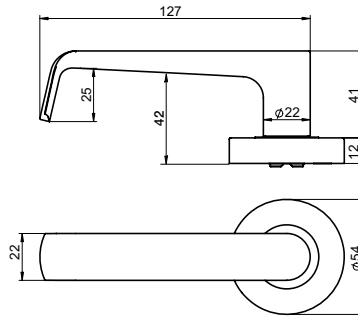
Part Number VIV1/V1SBPVD
VIV1/V1GMPVD
VIV1/V1BZPVD

Length 127mm

Projection 53mm



Disabled Accessible
AS1428.1 Compliant



Lever 1 - Privacy

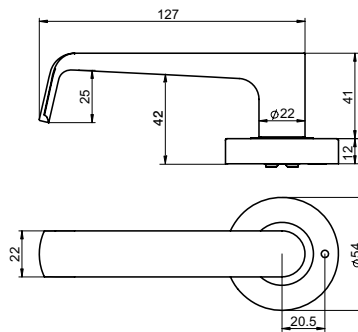
Part Number VIV2/V1SBPVD
VIV2/V1GMPVD
VIV2/V1BZPVD

Length 127mm

Projection 53mm



Disabled Accessible
AS1428.1 Compliant



Lever 1 - Dummy

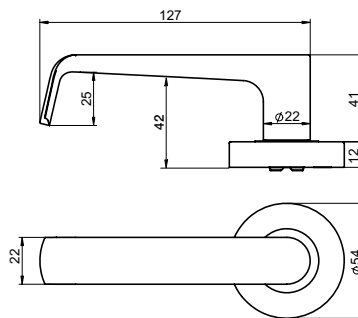
Part Number VIV3/V1BZPVD
VIV3/V1GMPVD
VIV3/V1SBPVD

Length 127mm

Projection 53mm



Disabled Accessible
AS1428.1 Compliant



Vivid® Collection Internal Door Leversets

Lever 2 - Passage

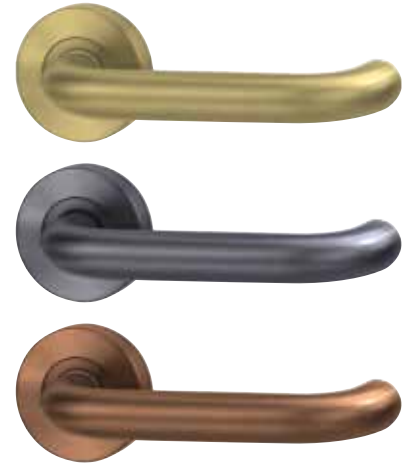
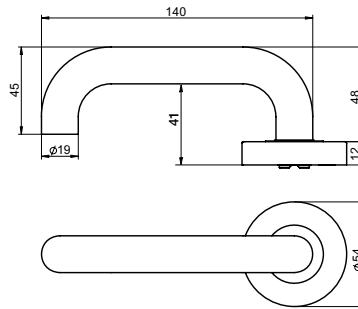
Part Number VIV1/V2SBPVD
VIV1/V2GMPVD
VIV1/V2BZPVD

Length 140mm

Projection 60mm



Disabled Accessible
AS1428.1 Compliant



Lever 2 - Privacy

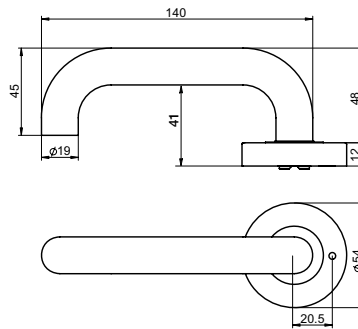
Part Number VIV2/V2SBPVD
VIV2/V2GMPVD
VIV2/V2BZPVD

Length 140mm

Projection 60mm



Disabled Accessible
AS1428.1 Compliant



Lever 2 - Dummy

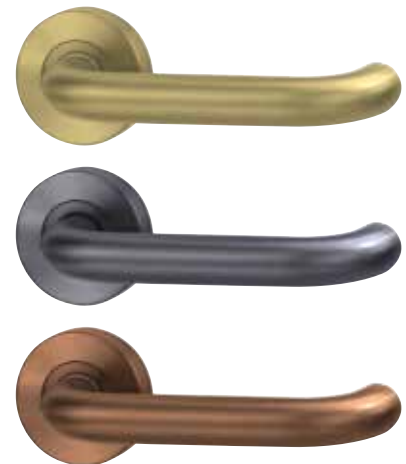
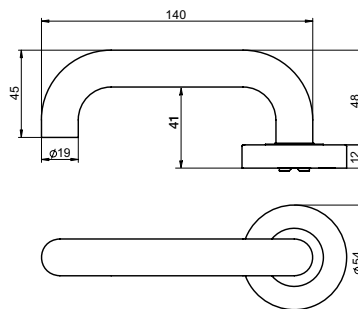
Part Number VIV3/V2SBPVD
VIV3/V2GMPVD
VIV3/V2BZPVD

Length 140mm

Projection 60mm



Disabled Accessible
AS1428.1 Compliant



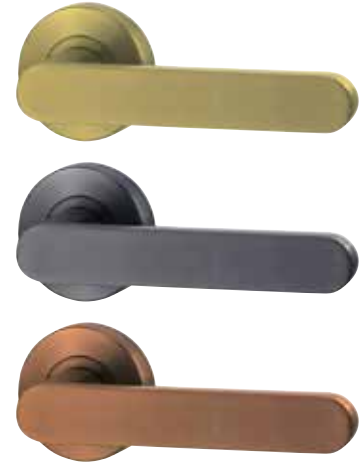
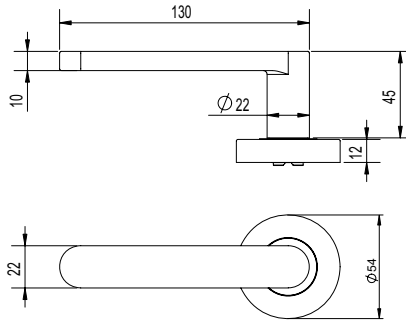
Vivid® Collection Internal Door Leversets

Lever 3 - Passage

Part Number VIV1/V3SBPVD
VIV1/V3GMPVD
VIV1/V3BZPVD

Length 130mm

Projection 57mm

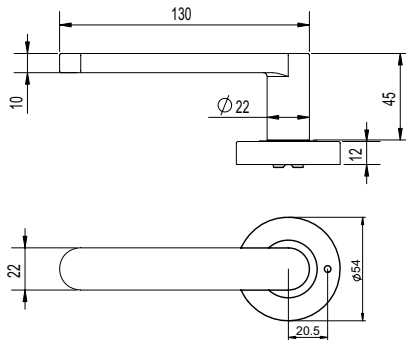


Lever 3 - Privacy

Part Number VIV2/V3SBPVD
VIV2/V3GMPVD
VIV2/V3BZPVD

Length 130mm

Projection 57mm

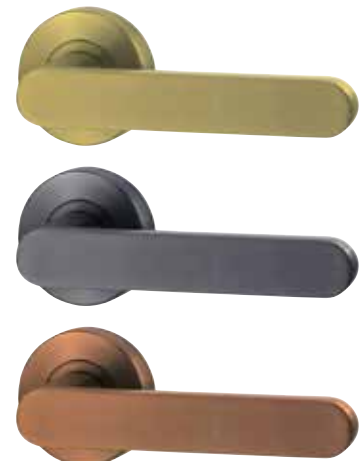
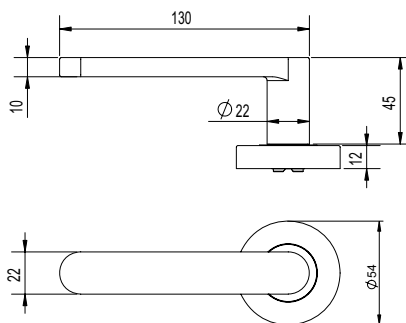


Lever 3 - Dummy

Part Number VIV3/V3SBPVD
VIV3/V3GMPVD
VIV3/V3BZPVD

Length 130mm

Projection 57mm



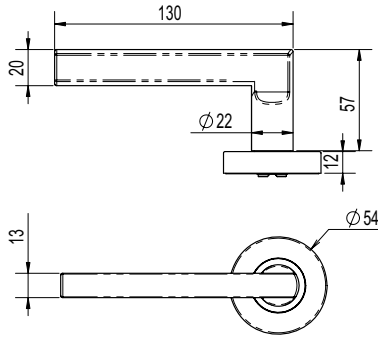
Vivid® Collection Internal Door Leversets

Lever 4 - Passage

Part Number
 VIV1/V4SBPVD
 VIV1/V4GMPVD
 VIV1/V4BZPVD

Length 130mm

Projection 53mm

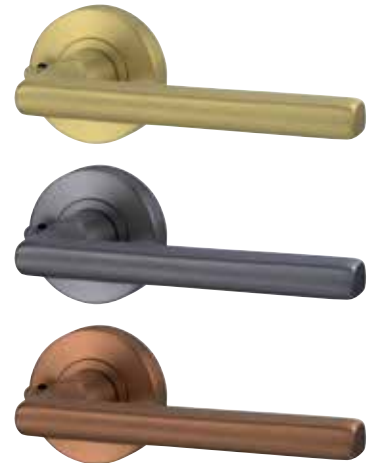
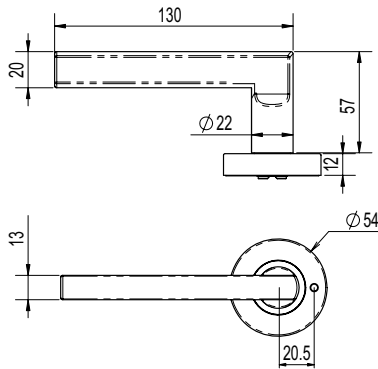


Lever 4 - Privacy

Part Number
 VIV2/V4SBPVD
 VIV2/V4GMPVD
 VIV2/V4BZPVD

Length 130mm

Projection 53mm

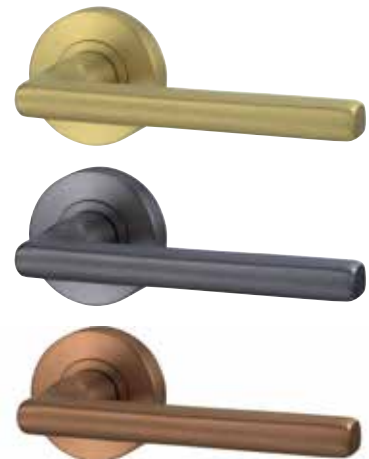
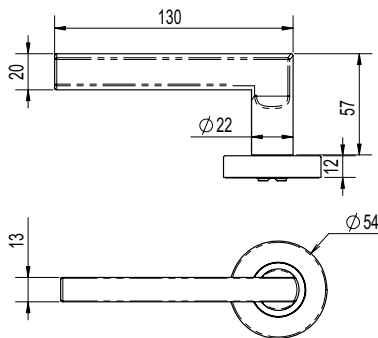


Lever 4 - Dummy

Part Number
 VIV3/V4SBPVD
 VIV3/V4GMPVD
 VIV3/V4BZPVD

Length 130mm

Projection 53mm



Vivid® Collection Internal Door Leversets

Vivid® Passage Set with Latch

Description	Quantity
Lever	2
Rose Trim	2
Passage Latch	1
Face Plate	1
Spindle	2
Spindle Springs	2
Through Fix Screws	2
Hex Inserts	2
Striker Plate with dust box	1
Timber Mounting screws	4

Vivid® Privacy Set with Latch

Description	Quantity
Lever	2
Rose Trim	2
Privacy Latch	1
Face Plate	1
Privacy Pin	1
Pointed tool	1
Spindle	2
Spindle Springs	2
Through Fix Screws	2
Hex Inserts	2
Striker Plate with dust box	1
Timber Mounting screws	4

Vivid® Half Dummy Lever

Description	Quantity
Lever	1
Rose Trim	1
Timber Mounting screws	4

Vivid® Collection Sliding Door Flush Pulls



The Lockwood Vivid® Collection Sliding Door Flush Pull offers multiple solutions for flush mount door furniture. It comes in three coloured PVD finishes to match the rest of the products in the Vivid® Collection.

Application

Suited to numerous applications which require the door furniture to be flush with the surface of the door.

Product Details

Materials	304 stainless steel with durable PVD surface treatment
Finish	PVD Satin Brass (SB), PVD Satin Gun Metal (GM), PVD Satin Bronze (BZ)

Standards and Compliance



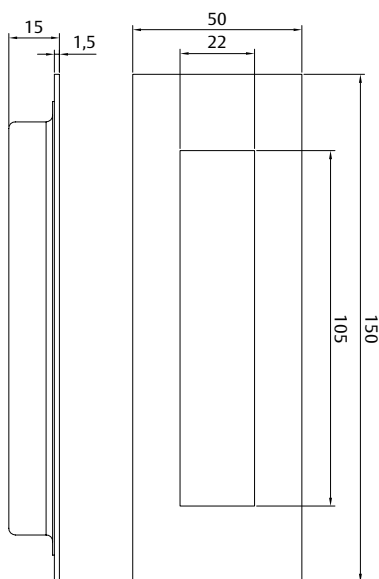
Tested to AS4145.2 2008 for Neutral Salt Spray, passing C6 - 168 hours.

Vivid® Collection Sliding Door Flush Pull

Flush Pulls

Part Number	Finish
VIVFP2-150SBPVD	PVD Satin Brass
VIVFP2-150GMPVD	PVD Satin Gun Metal
VIVFP2-150BZPVD	PVD Satin Bronze

Trade packed with fixing screws.



Vivid® Collection Cavity Sliding Door Edge Pulls



The Lockwood Vivid® Collection Cavity Sliding Door Edge Pull is used as a pull handle on the edge of the sliding or pocket doors. It is designed to be flush mounted to your door and comes in three coloured PVD finishes to match the rest of the products in the Vivid® Collection.

Application

Suited to numerous applications which require the door furniture to be flush with the edge of the door. It also can be used in combination with a flush pull to create a passage solution for any internal room where the door is fully pocketed into the wall cavity.

Product Details

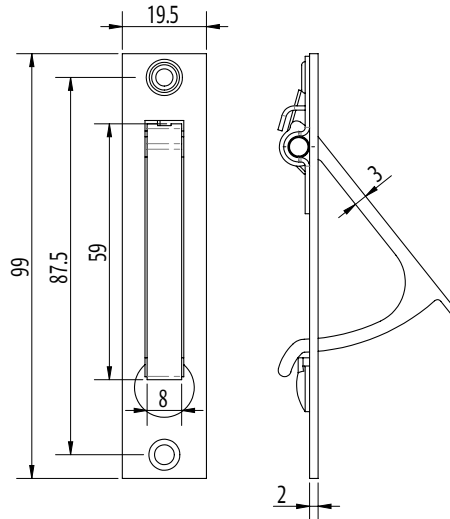
Materials	304 stainless steel with durable PVD surface treatment
Finish	PVD Satin Brass (SB), PVD Satin Gun Metal (GM), PVD Satin Bronze (BZ)

Vivid® Collection Cavity Sliding Door Edge Pulls

Edge Pull

Part Number	Finish
VIVEP2/SBPVD	PVD Satin Brass
VIVEP2/GMPVD	PVD Satin Gun Metal
VIVEP2/BZPVD	PVD Satin Bronze

Trade packed with fixing screws.



Vivid® Collection Privacy Cavity Door Sliders



The Lockwood Vivid® Collection Privacy Cavity Door Slider is specifically created to be installed flush with the sliding door panel so it can fully retract into the door cavity. Its retractable door pull offers both style and functionality and is available in three coloured PVD finishes to match the rest of the products in the Vivid® Collection.

The Vivid® Collection Privacy Cavity Door Slider is intended for use with cavity sliding doors, which are perfect for smaller spaces such as bathrooms and ensuites.

Retractable door pull

The bolt can be released as a door pull to pull your door away from the cavity. Simply press the bolt to release.

Product Details

Prep Hole	54mm diameter
Materials	All visible surfaces 304 stainless steel with durable PVD surface treatment
Bolt	Privacy sets are supplied with a 60mm backset bolt. Turn the knob to lock/unlock the bolt. The bolt can also be released as a door pull to pull your door away from the cavity. Simply press the bolt to release.
Door Thickness	32-45mm sliding door
Finishes	PVD Satin Brass (SB), PVD Satin Gun Metal (GM), PVD Satin Bronze (BZ)

Standards and Compliance

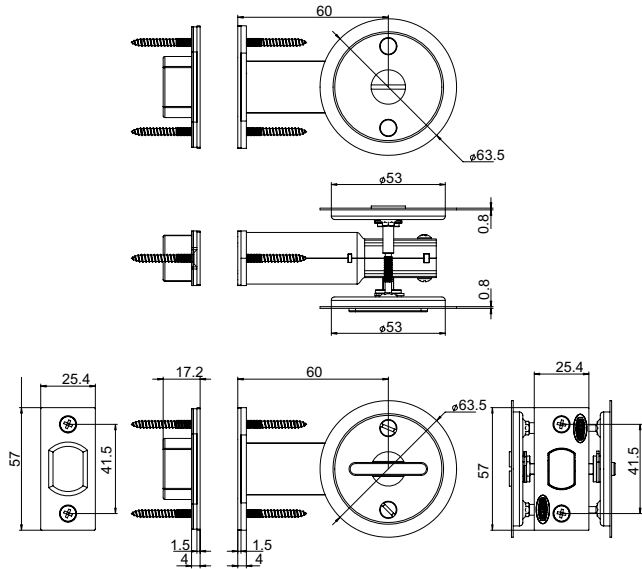
D6

Tested to AS4145.2 2008 for Durability passing D6 - 100,000 cycles.



Tested to AS4145.2 2008 for Neutral Salt Spray, passing C6 - 168 hours.

Vivid® Collection Privacy Cavity Door Sliders



Privacy Set

Part Number	Finish
VIVCAV2/SBPVD	PVD Satin Brass
VIVCAV2/GMPVD	PVD Satin Gun Metal
VIVCAV2/BZPVD	PVD Satin Bronze

Outside

Emergency release button opened by coin or screwdriver

Inside

Locked or unlocked by turn-plate

Vivid® Collection Door Stops



The Lockwood Vivid® Collection Door Stops ensure that door travel is contained within the required specification. Walls are protected from furniture impacts and doors can be held open at any desired position.

The Door Stops are available in two shapes and three coloured PVD finishes to match the rest of the products in the Vivid® Collection.

Product Details

Materials

Body - 304 Stainless Steel
Buffer - Rubber

Finish

PVD Satin Brass (**SB**), PVD Satin Gun Metal (**GM**),
PVD Satin Bronze (**BZ**)

Standards and Compliance



Tested to AS4145.2 2008 for
Neutral Salt Spray,
passing C6 - 168 hours.

Vivid® Collection Door Stops

A290 Half Moon Door Stop

Part Number **Finish**

VIVA290/SBPVD PVD Satin Brass

VIVA290/GMPVD PVD Satin Gun Metal

VIVA290/BZPVD PVD Satin Bronze

Designed to be floor mounted, the door stop prevents doors and handles damaging walls and fixtures. The black rubber buffer gives further protection for door finishes.

Features and Specifications

Dimensions

43 mm diameter.

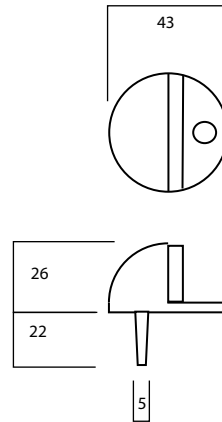
Materials

Body - 304 Stainless Steel

Buffer - Rubber

Fixing

Mounting screw included



A300 Long Cigar Shape Door Stop

Part Number **Finish**

VIVA300/SBPVD PVD Satin Brass

VIVA300/GMPVD PVD Satin Gun Metal

VIVA300/BZPVD PVD Satin Bronze

Designed to be wall mounted, the door stop prevents doors and handles damaging walls and fixtures. The 300 Series door stops feature concealed fixing behind the rubber buffer.

Features and Specifications

Dimensions

75mm projection

19mm diameter

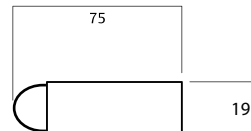
Materials

Body - 304 Stainless Steel

Buffer - Rubber

Fixing

Mounting screw included



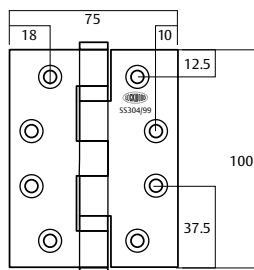
Vivid® Collection Hinges



The Lockwood Vivid® Collection Loose Pin Hinges are suitable for regular internal doors, as they make it easier to remove the door from the frame for maintenance purposes. Additionally, they offer the convenience of quickly removing internal doors to accommodate the installation or removal of large furniture pieces or appliances.

These hinges are made from 304 stainless steel and have a typical metric pole pattern. Available in three colours, they can be coordinated with other products in the Vivid® Collection.

Vivid® Collection Hinges



Loose Pin Hinges

Part Number	Finish	Description	Hinge Size (mm)	Type	Material	Maximum Adjusted Door Weight (kg)	Fire Rating
VIVLP/SBPVD	PVD Satin Brass	Loose Pin	100 X 75 X 2.5	Butt Hinge	304SS	60	None
VIVLP/BZPVD	PVD Satin Bronze	Loose Pin	100 X 75 X 2.5	Butt Hinge	304SS	60	None
VIVLP/GMPVD	PVD Satin Gun Metal	Loose Pin	100 X 75 X 2.5	Butt Hinge	304SS	60	None

Screws: Each Hinge comes with 8x M5x32 Wood Screws and 8x M5x12 Metal Thread Screws

Pack size: 30







ASSA ABLOY

Lockwood is the leading brand in the Australian locking industry. With an established reputation for high quality products, this iconic brand provides a wide range of locking solutions to residential housing, commercial, semi-commercial, building and industrial application markets. Lockwood is supported by an extensive distribution and after-sales support network. Our customers include retailers, architects, trade and industrial personnel, locksmiths and security dealers.

ASSA ABLOY is the global leader in door opening solutions, dedicated to satisfying end-user needs for security, safety and convenience.

ASSA ABLOY is represented in all major regions, in both mature and emerging markets, with leading positions in Australia, Europe and North America.

**25YEAR
MECHANICAL
WARRANTY**

The Lockwood 25 Year Mechanical Warranty

Our belief that we manufacture the finest premium products available in today's market place is backed by the Lockwood 25 Year Mechanical Warranty, ensuring that Lockwood continues to keep Australians safe by delivering security and peace of mind.

For warranty terms and conditions, please visit www.lockweb.com.au or call **1300WARRANTY**

ASSA ABLOY Opening Solutions Australia
235 Huntingdale Road
Oakleigh, Victoria, 3166
Australia

1300 LOCK UP (1300 562 587)
lockweb.com.au

ASSA ABLOY New Zealand Ltd
6 Armstrong Road
Albany, Auckland, 0632
New Zealand

info.nz@assaabloy.com
Telephone +64 9415 7111
assaabloy.co.nz

Disclaimer

Whilst every effort has been made to ensure that the information (including product images and drawings) contained in this brochure is accurate at the time of publication, ASSA ABLOY Australia Pty Limited ("ASSA ABLOY") recommends that you consult ASSA ABLOY or its agents prior to placing an order to ascertain current information on specific products, as ASSA ABLOY reserves the right to make changes without notice. ASSA ABLOY will not be liable for any injury, loss or damage whatsoever, arising from any errors or omissions in the information contained in the brochure or arising from the use or application of the information contained herein. © 2022 copyright by ASSA ABLOY All rights reserved