

ASSA ABLOY is the global leader in door opening solutions, dedicated to satisfying end-user needs for security, safety and convenience



Please Note:

This document is provided as a dimensional reference and should not be printed as a drilling template unless it can be correctly scaled to 100% by your printer.

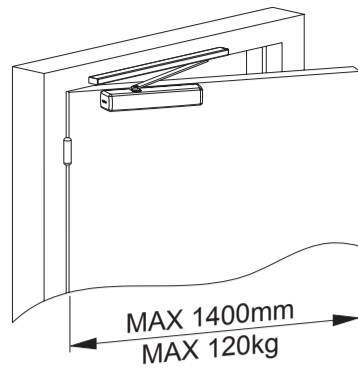
ASSA ABLOY Australia Pty Limited
235 Huntingdale Road,
Oakleigh Victoria, 3166
Australia

info.au@assaabloy.com
assaabloy.com.au

ASSA ABLOY New Zealand Ltd.
6 Armstrong Road
Albany, North Shore City, 0632
New Zealand

info.nz@assaabloy.com
assaabloy.co.nz

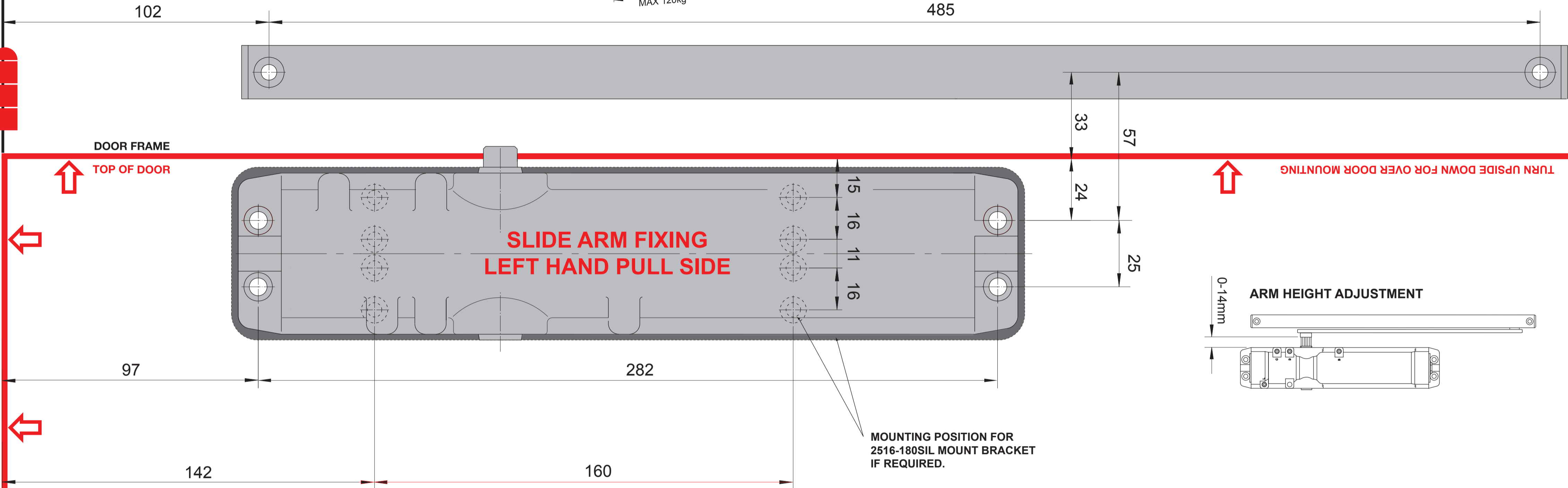
2516 SERIES SIZE 1 - 6 CAM ACTION DOORCLOSER



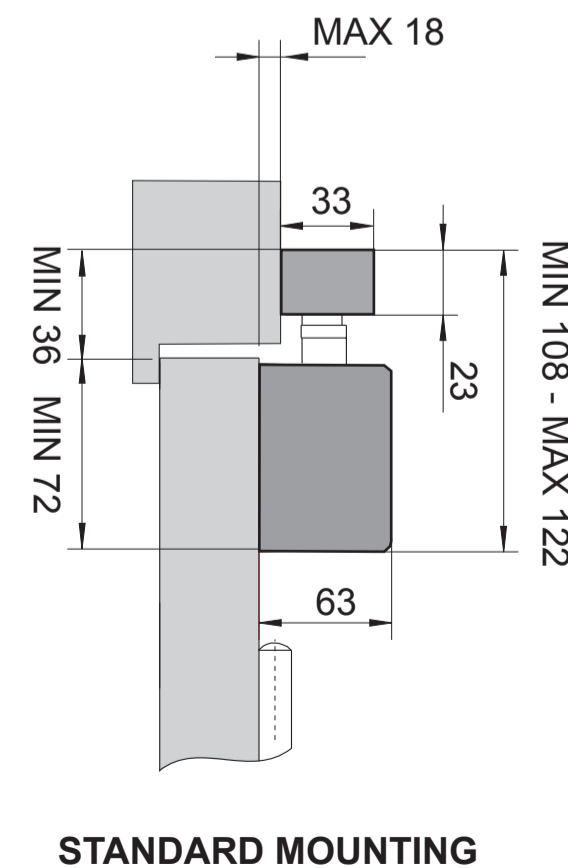
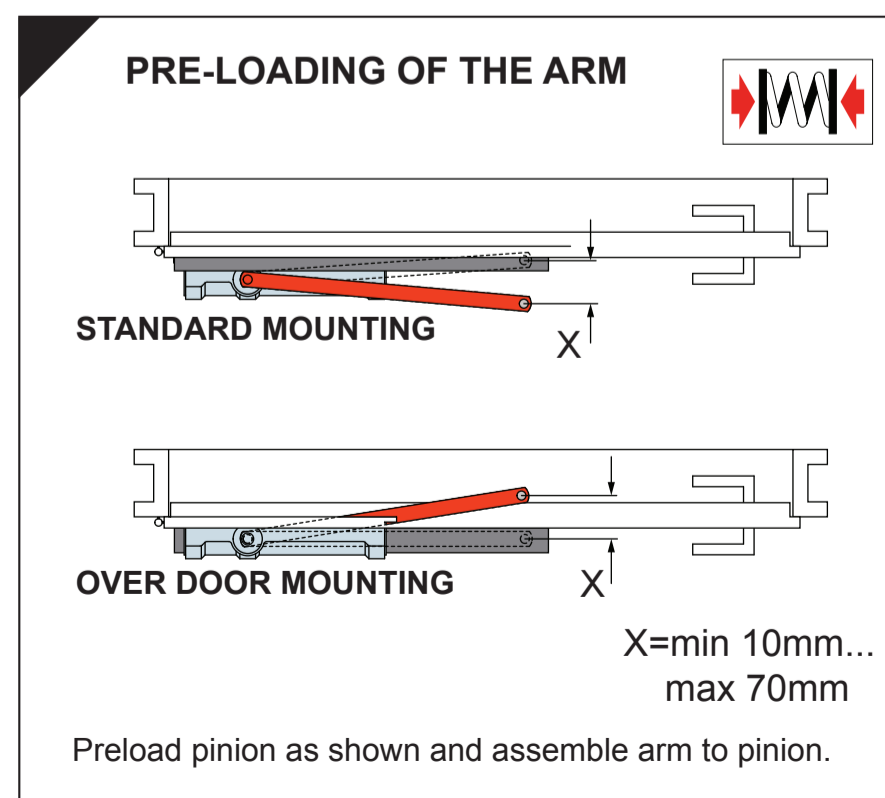
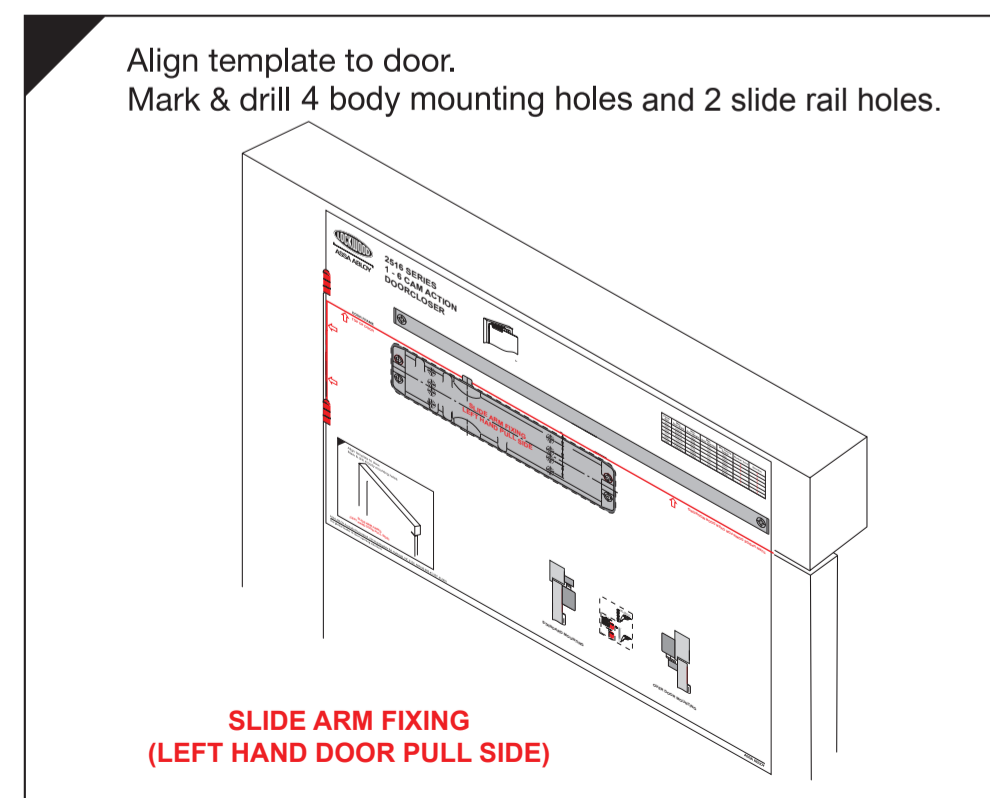
SLIDE ARM FIXING
(LEFT HAND DOOR PULL SIDE)

Power Size	Max. Door Width	Max. Door Weight	Max. Door Opening	Min. Closing Torque	Number Turns
EN1	750mm	20kg	175°	9Nm	1
EN2	850mm	40kg	175°	13Nm	2
EN3	950mm	60kg	175°	18Nm	4*
EN4	1100mm	80kg	175°	26Nm	6
EN5	1250mm	100kg	175°	37Nm	9
EN6	1400mm	120kg	175°	54Nm	13

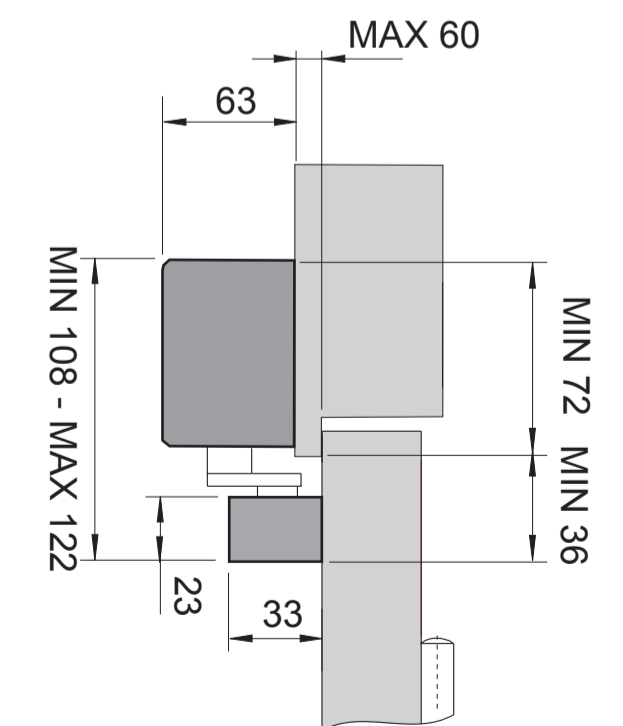
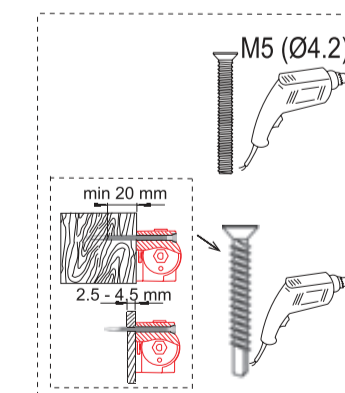
* - Factory default setting



USE THIS TEMPLATE IN CONJUNCTION WITH THE 2516 INSTALLATION INSTRUCTION (SUPPLIED)



STANDARD MOUNTING



OVER DOOR MOUNTING