

ASSA ABLOY is the global leader in door opening solutions, dedicated to satisfying end-user needs for security, safety and convenience



## Please Note:

This document is provided as a dimensional reference and should not be printed as a drilling template unless it can be correctly scaled to 100% by your printer.

ASSA ABLOY Australia Pty Limited  
235 Huntingdale Road,  
Oakleigh Victoria, 3166  
Australia

[info.au@assaabloy.com](mailto:info.au@assaabloy.com)  
[assaabloy.com.au](http://assaabloy.com.au)

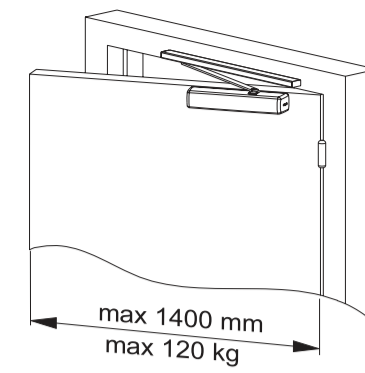
ASSA ABLOY New Zealand Ltd.  
6 Armstrong Road  
Albany, North Shore City, 0632  
New Zealand

[info.nz@assaabloy.com](mailto:info.nz@assaabloy.com)  
[assaabloy.co.nz](http://assaabloy.co.nz)

Power Size	Max. Door Width	Max. Door Weight	Max. Door Opening	Min. Closing Torque	Number Turns
EN1	750mm	20kg	175°	9Nm	1
EN2	850mm	40kg	175°	13Nm	2
EN3	950mm	60kg	175°	18Nm	4*
EN4	1100mm	80kg	175°	26Nm	6
EN5	1250mm	100kg	175°	37Nm	9
EN6	1400mm	120kg	175°	54Nm	13

\* - Factory default setting

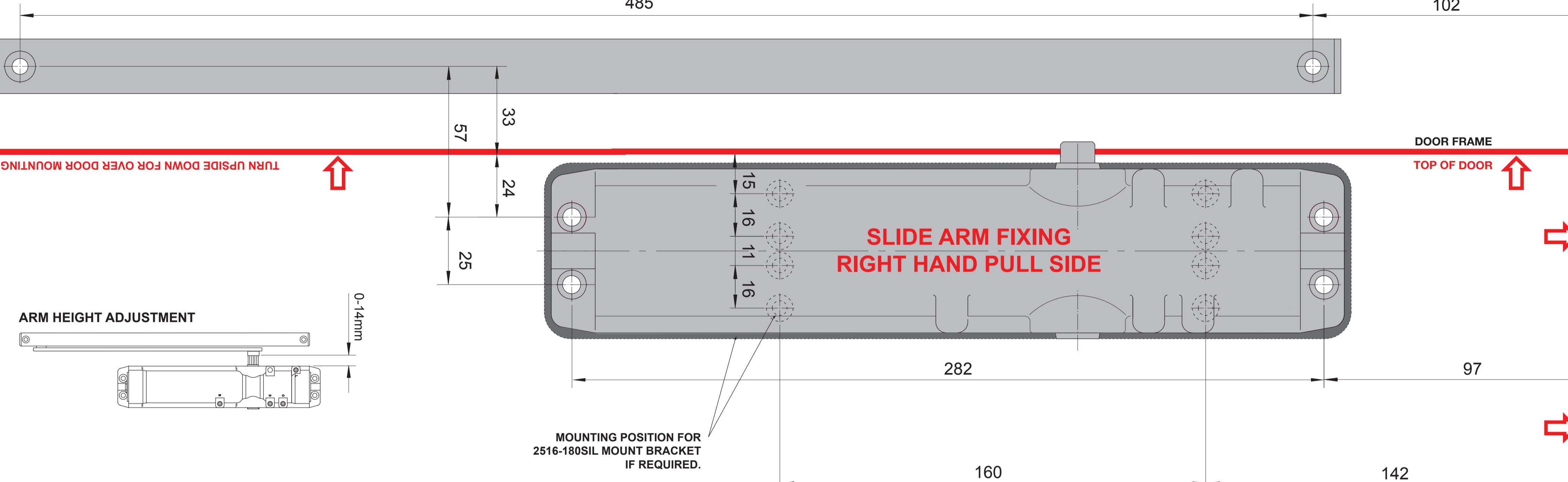
# 2516 SERIES SIZE 1 - 6 CAM ACTION DOORCLOSER



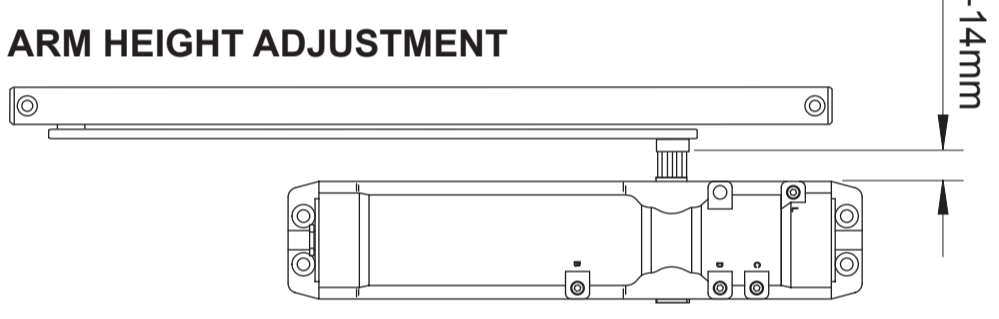
SLIDE ARM FIXING  
(RIGHT HAND DOOR PULL SIDE)

485

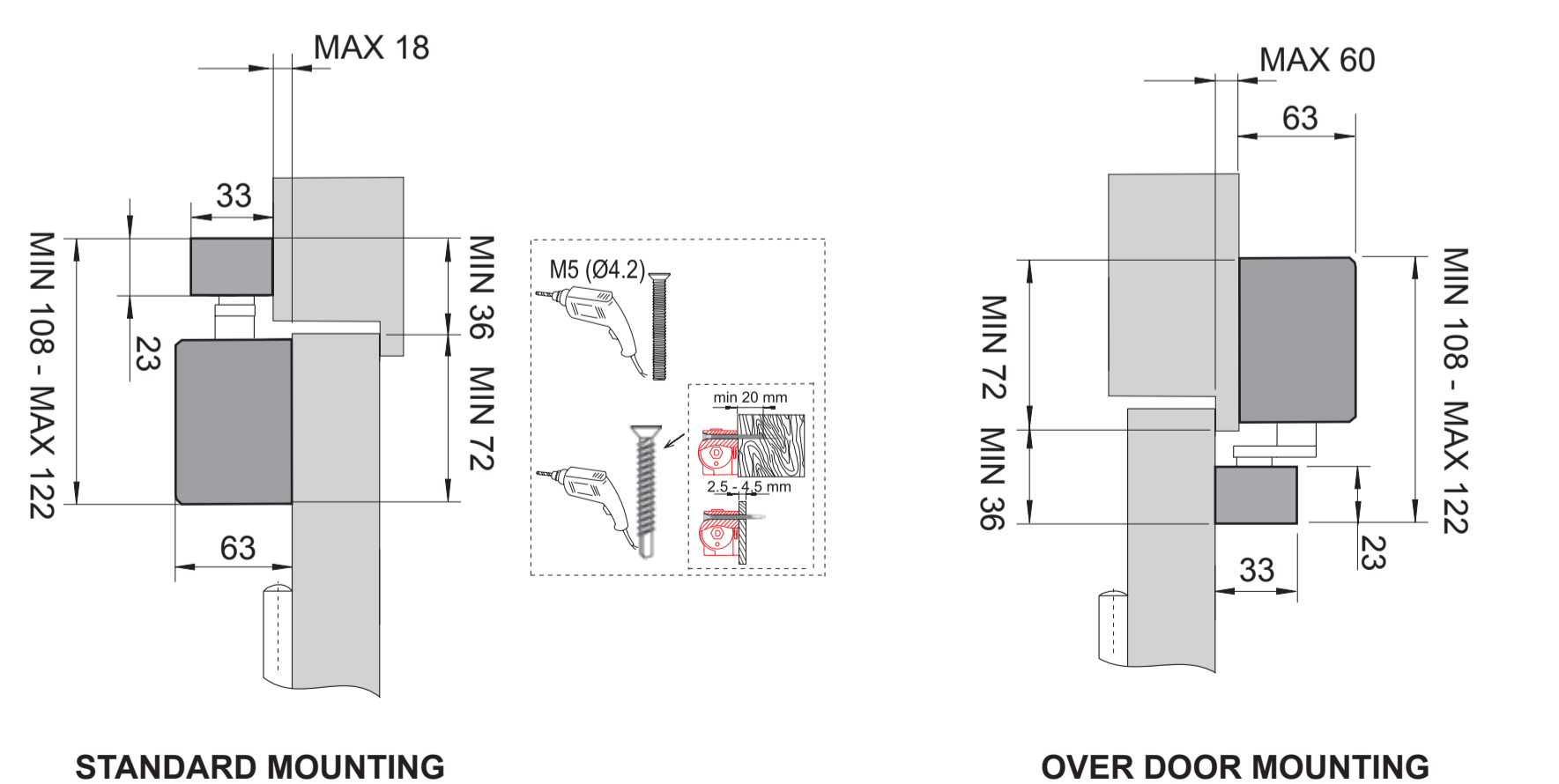
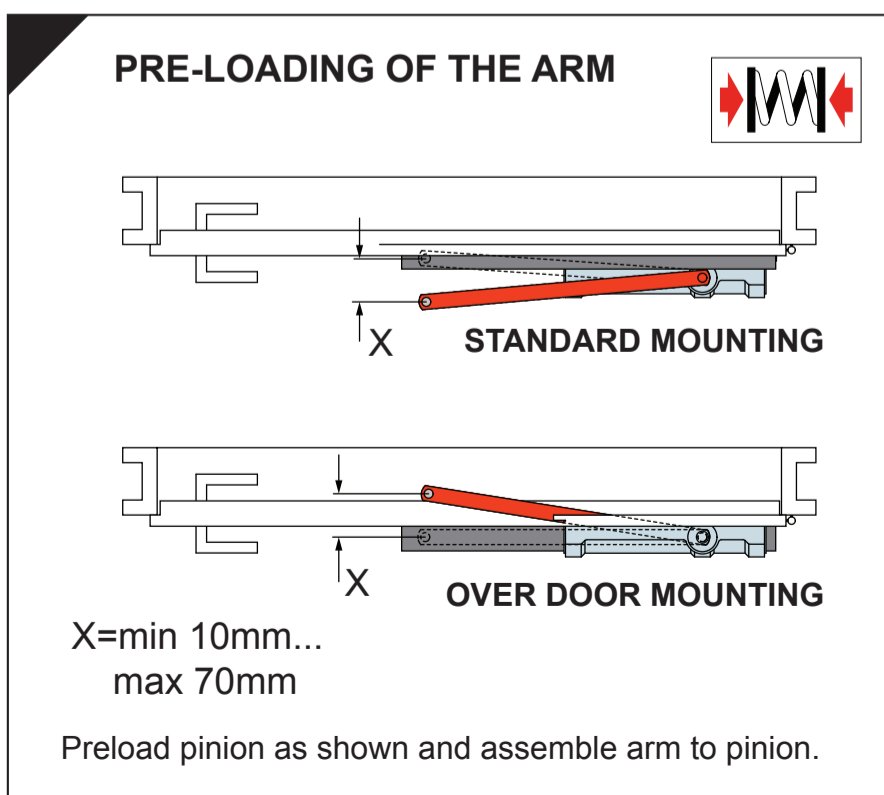
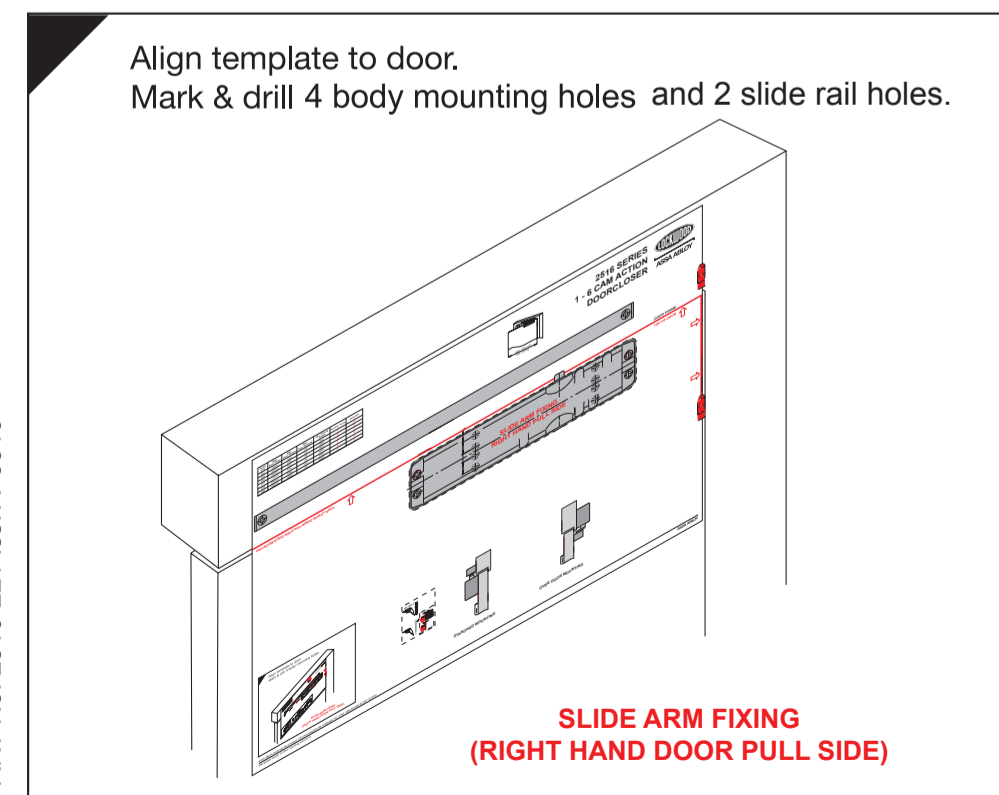
102



TURN UPSIDE DOWN FOR OVER DOOR MOUNTING



USE THIS TEMPLATE IN CONJUNCTION WITH THE 2516 INSTALLATION INSTRUCTION (SUPPLIED)



PART No. 2516-221 Iss. A 0310