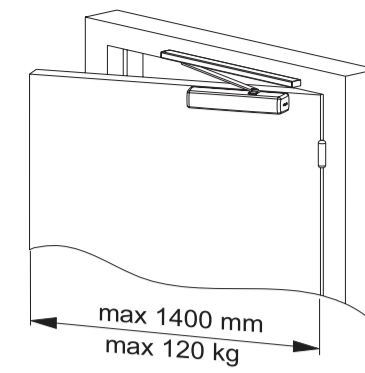


| Power Size | Max. Door Width | Max. Door Weight | Max. Door Opening | Min. Closing Torque | Number Turns |
|------------|-----------------|------------------|-------------------|---------------------|--------------|
| EN1 | 750mm | 20kg | 175° | 9Nm | 1 |
| EN2 | 850mm | 40kg | 175° | 13Nm | 2 |
| EN3 | 950mm | 60kg | 175° | 18Nm | 4* |
| EN4 | 1100mm | 80kg | 175° | 26Nm | 6 |
| EN5 | 1250mm | 100kg | 175° | 37Nm | 9 |
| EN6 | 1400mm | 120kg | 175° | 54Nm | 13 |

* - Factory default setting

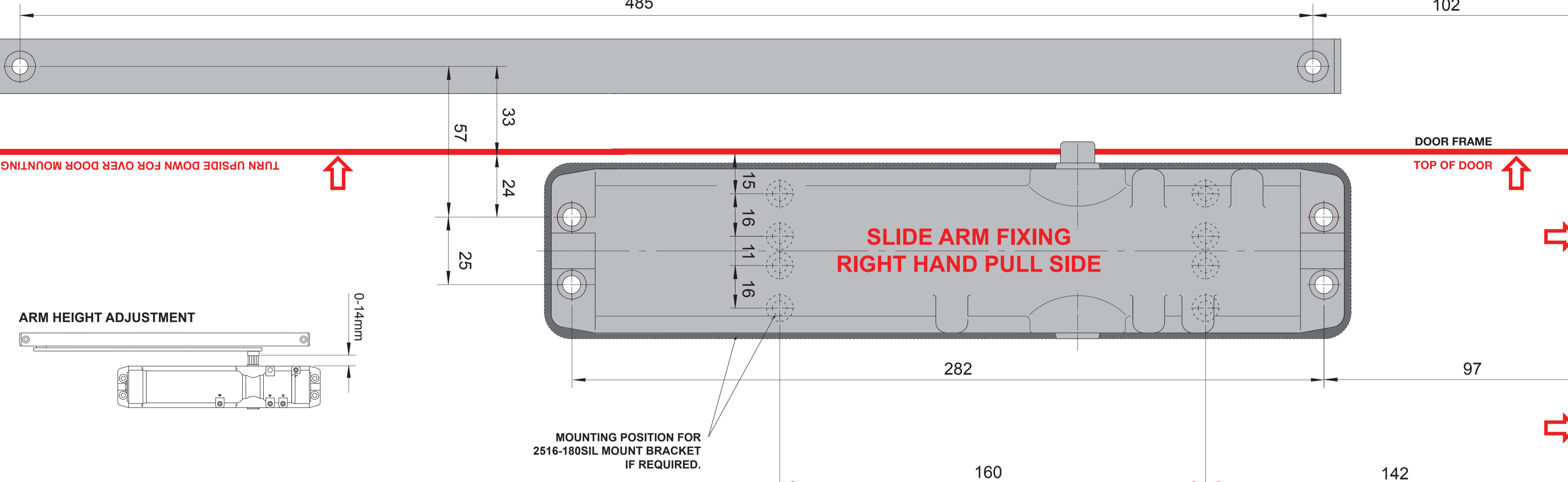
2616 SERIES SIZE 1 - 6 CAM ACTION DOORCLOSER



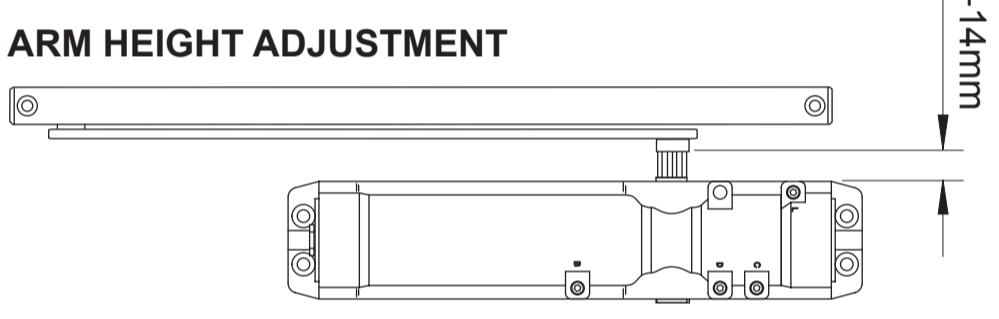
SLIDE ARM FIXING
(RIGHT HAND DOOR PULL SIDE)

485

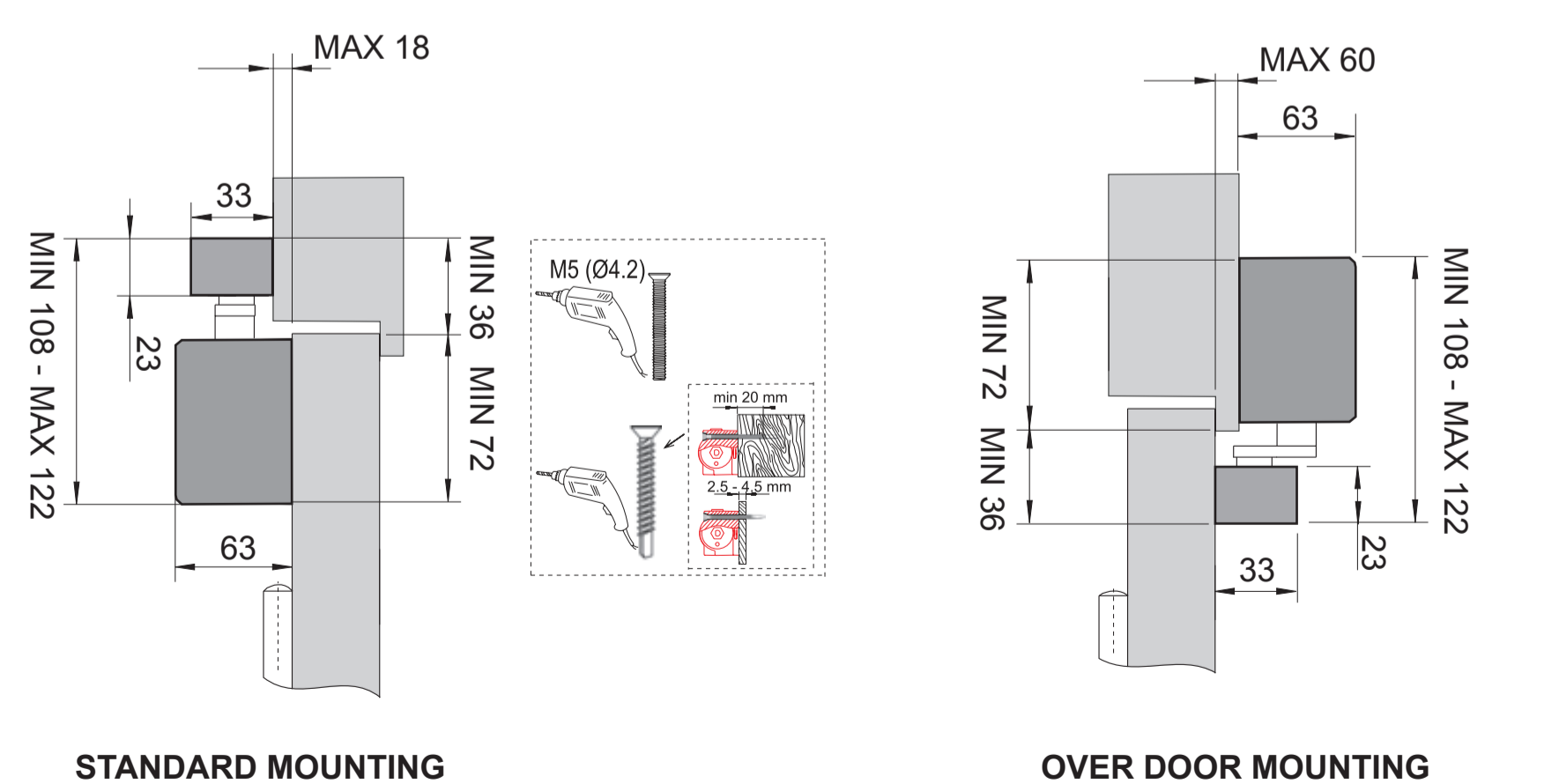
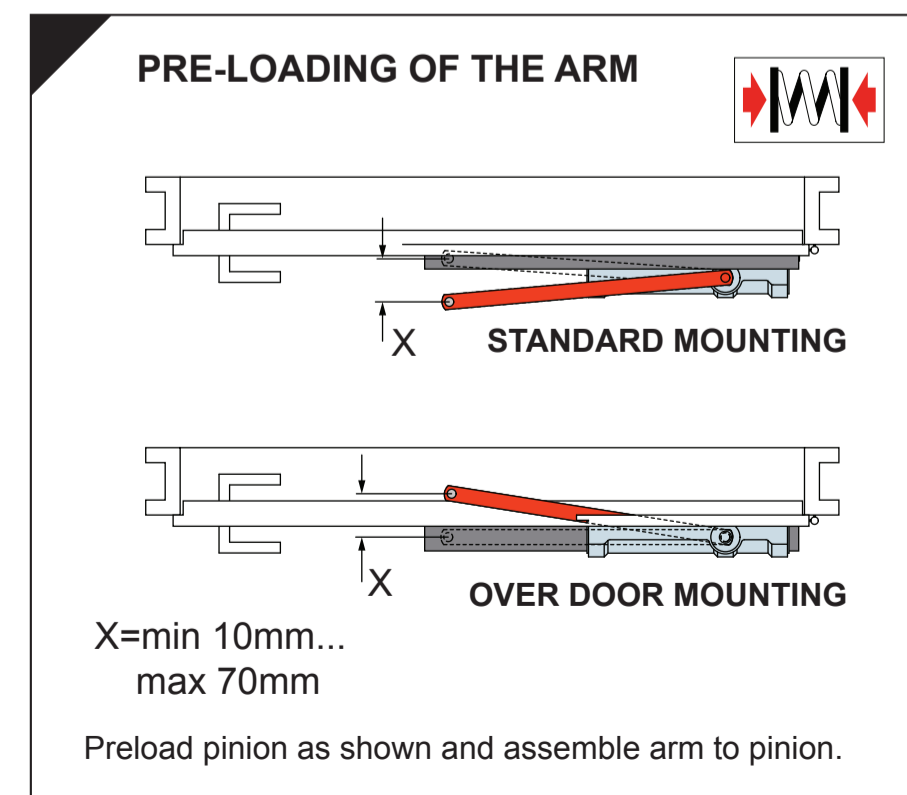
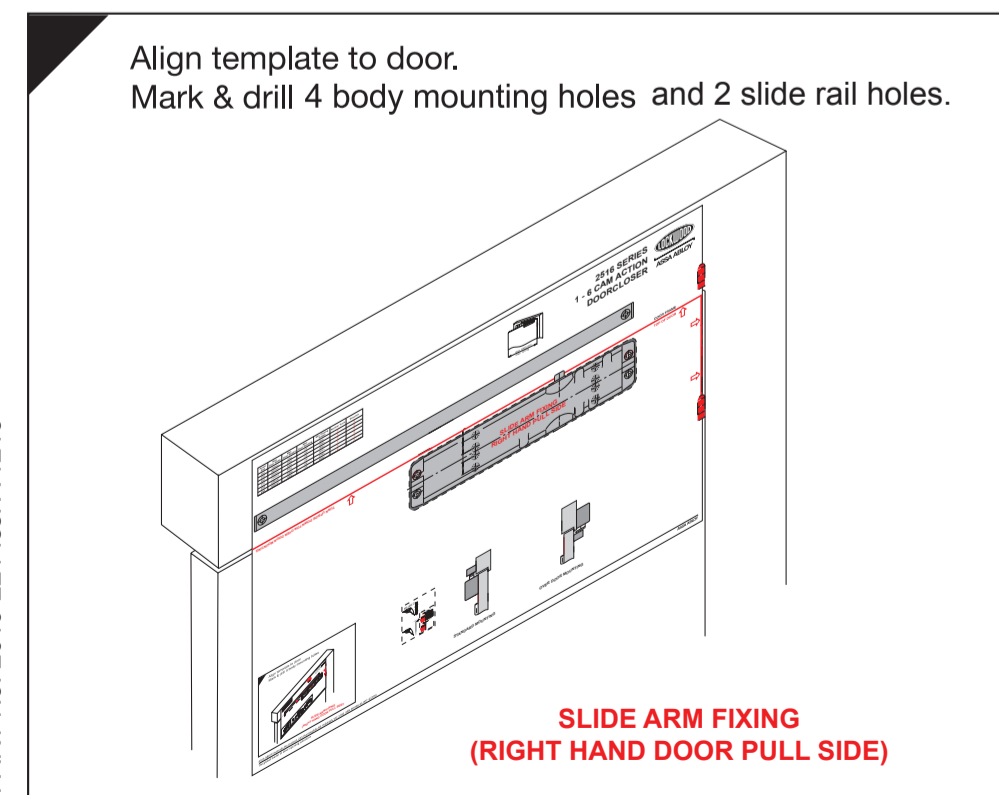
102



TURN UPSIDE DOWN FOR OVER DOOR MOUNTING



USE THIS TEMPLATE IN CONJUNCTION WITH THE 2616 INSTALLATION INSTRUCTION (SUPPLIED)



PART No. 2616-221 Iss. A 1213