

ASSA ABLOY is the global leader in door opening solutions, dedicated to satisfying end-user needs for security, safety and convenience



## Please Note:

This document is provided as a dimensional reference and should not be printed as a drilling template unless it can be correctly scaled to 100% by your printer.

ASSA ABLOY Australia Pty Limited  
235 Huntingdale Road,  
Oakleigh Victoria, 3166  
Australia

[info.au@assaabloy.com](mailto:info.au@assaabloy.com)  
[assaabloy.com.au](http://assaabloy.com.au)

ASSA ABLOY New Zealand Ltd.  
6 Armstrong Road  
Albany, North Shore City, 0632  
New Zealand

[info.nz@assaabloy.com](mailto:info.nz@assaabloy.com)  
[assaabloy.co.nz](http://assaabloy.co.nz)

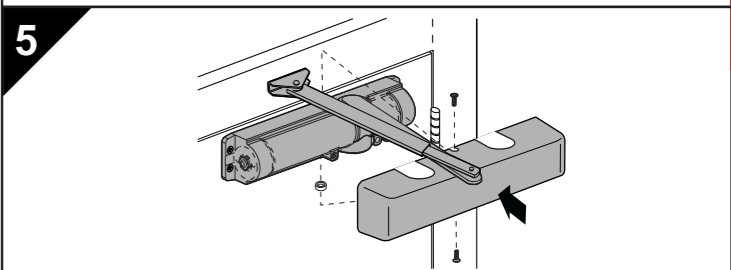
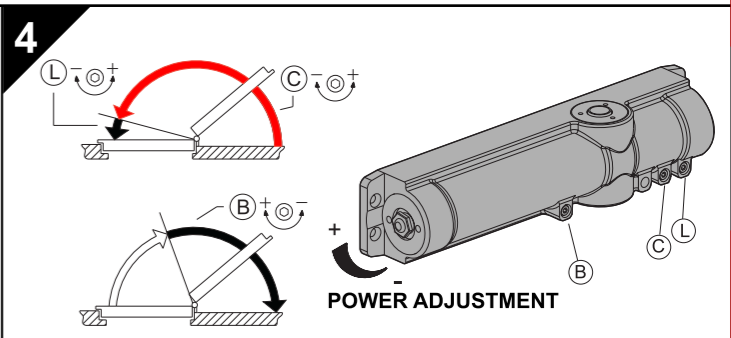
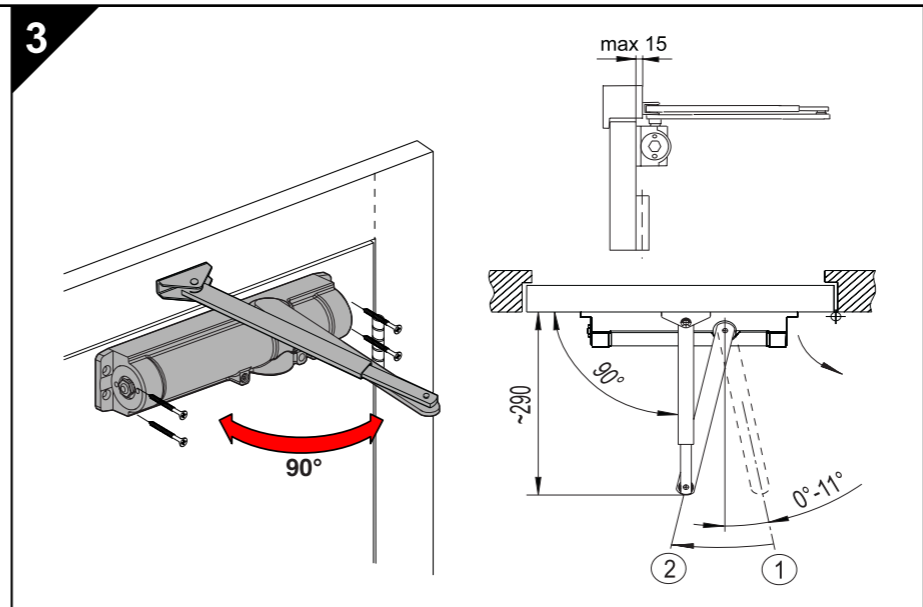
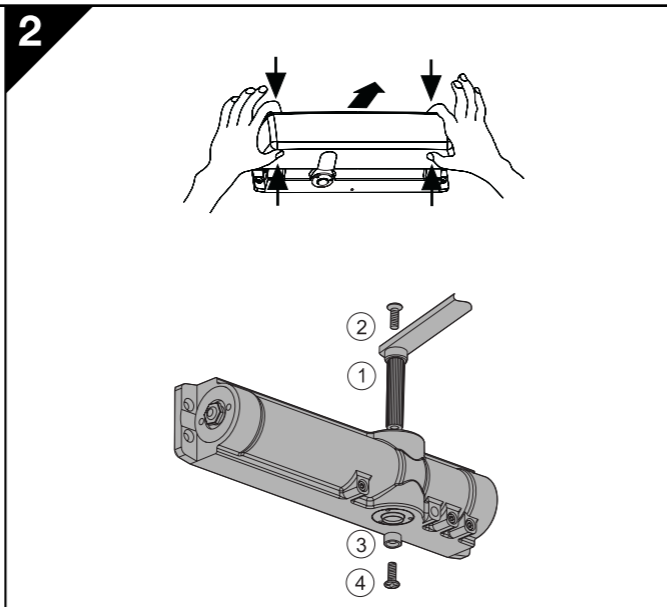
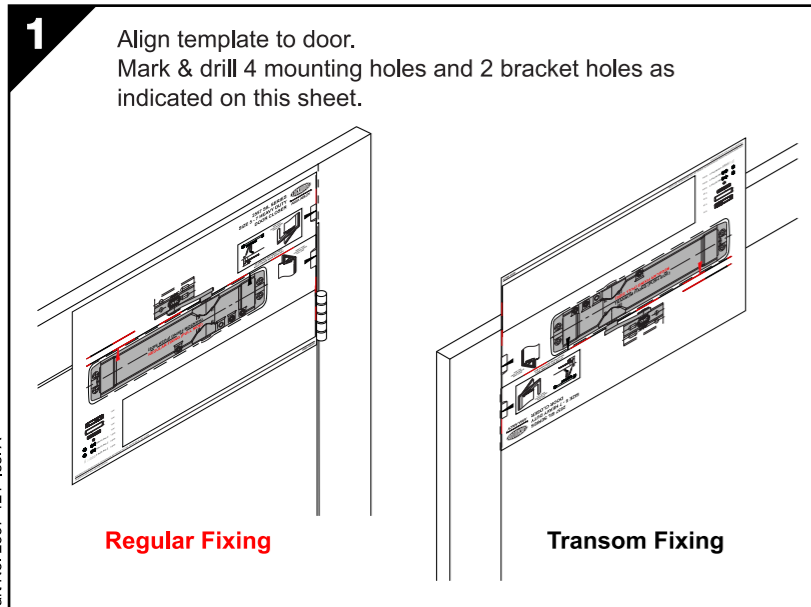
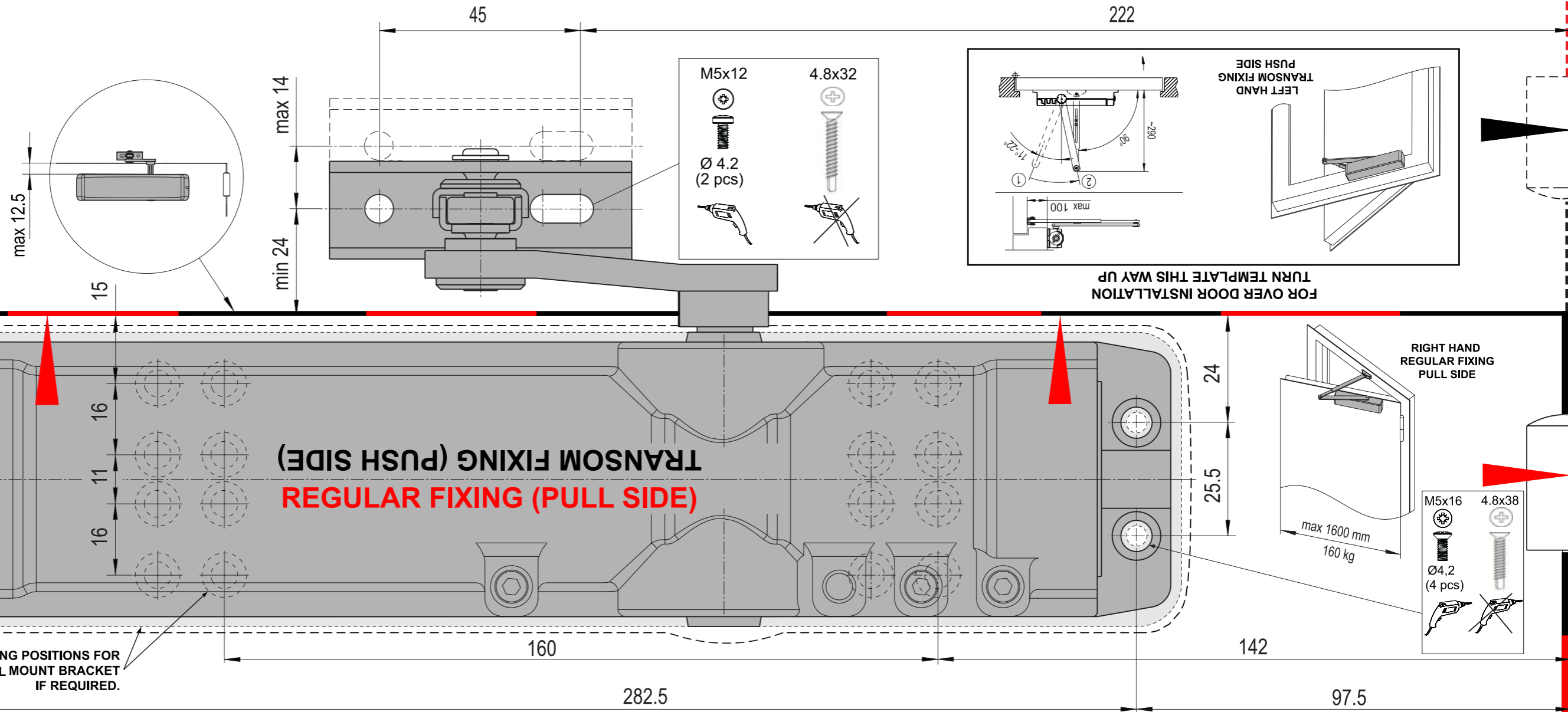
# 2557 SERIES SIZE 5 - 7 HEAVY DUTY DOOR CLOSER



Power Size	Max. Door Width	Max. Door Weight	Min. Closing Torque	Number Turns
EN5	1250mm	100kg	37Nm	0
EN6	1400mm	120kg	54Nm	3*
EN7	1600mm	160kg	87Nm	10

\* - Factory Setting

Component	Qty
Spindle	1
Spindle Bush	1
M6 x 16 Hexhead C/S	1
M5 x 16 Poz 2	4
4.8 x 38 Poz 2	4
M5 x 12 Poz 2	2
4.8 x 32 Poz 2	2
M6 x 16 Hexhead Wafer	1
M4 x 12 Poz 2	2
Cover Bush	1



Part No. 2557-121 Iss. A