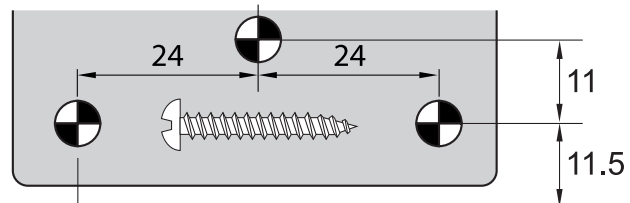


# LOCKWOOD 7726 SERIES PARALLEL 2-5 POWER ADJUSTABLE DOOR CLOSER ASSA ABLOY

Power Size	Max. Door Width	Max. Door Weight	Max. Door Opening	Min. Closing Torque	Number Turns	Direction
EN2	850mm	40kg	180°	13 Nm	5	Anti-Clockwise
EN3	950mm	60kg	180°	18 Nm	-	-
EN4	1100mm	80kg	180°	26 Nm	5	Clockwise
EN5	1250mm	100kg	180°	37 Nm	10	Clockwise



DOOR FRAME

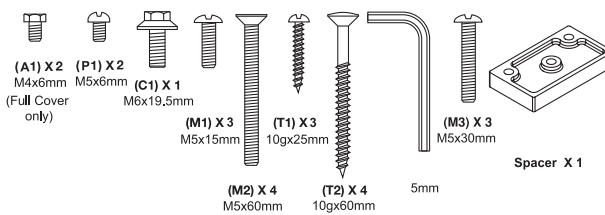
158

57

DOOR FRAME FOLD HERE



PARALLEL FIXING (LEFT HAND DOOR PUSH SIDE)



M = METAL T = TIMBER

Timber	drill Ø3
Metal	drill Ø4.2 and tap M5

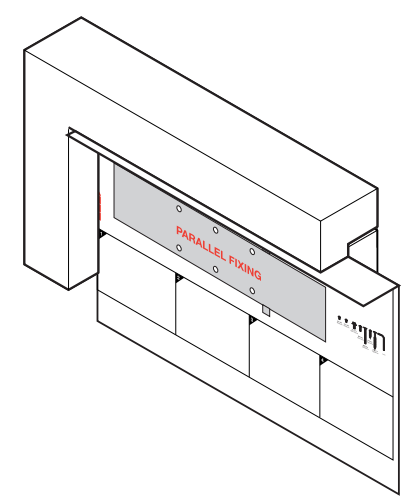
## PARALLEL FIXING (PUSH SIDE)

105

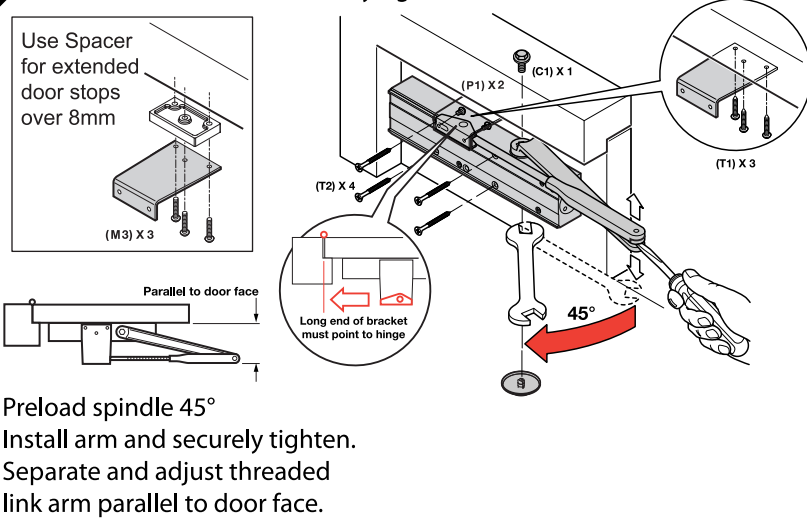
100

45

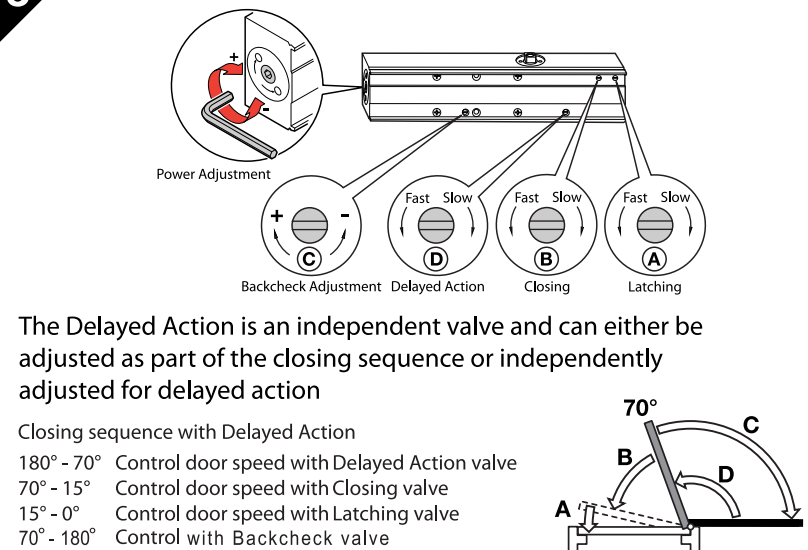
**1** Align template to door. Mark & drill 4 mounting holes and 3 bracket holes as indicated on this sheet.



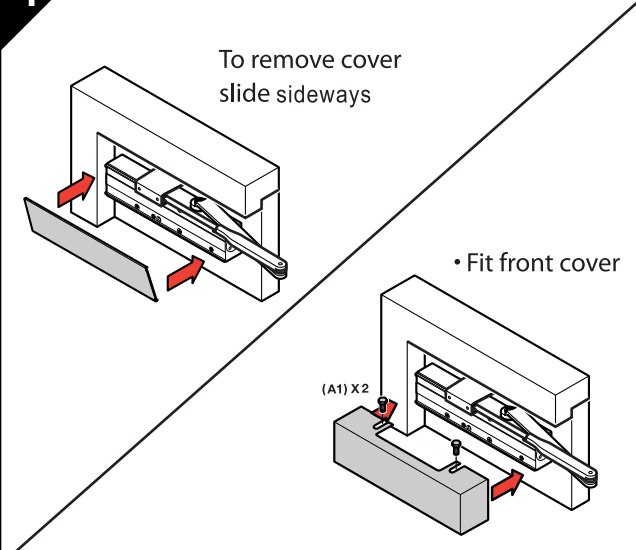
**2** Screw body in place using screws as shown. Install bracket and securely tighten.



**3** Adjust door controls to suit conditions.

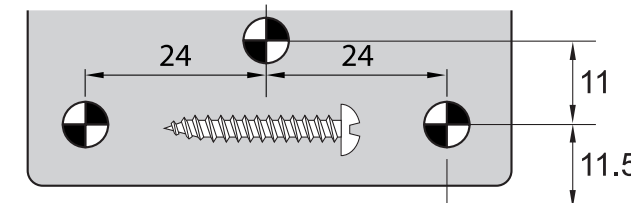


**4** • Fit front cover - clip on bottom first



# LOCKWOOD 7726 SERIES PARALLEL 2-5 POWER ADJUSTABLE DOOR CLOSER ASSA ABLOY

Power Size	Max. Door Width	Max. Door Weight	Max. Door Opening	Min. Closing Torque	Number Turns	Direction
EN2	850mm	40kg	180°	13 Nm	5	Anti-Clockwise
EN3	950mm	60kg	180°	18 Nm	-	-
EN4	1100mm	80kg	180°	26 Nm	5	Clockwise
EN5	1250mm	100kg	180°	37 Nm	10	Clockwise



DOOR FRAME

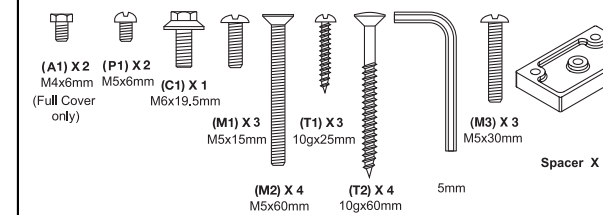
158

57

FOLD HERE DOOR FRAME



PARALLEL FIXING (RIGHT HAND DOOR PUSH SIDE)



M = METAL T = TIMBER

Timber	drill Ø3
Metal	drill Ø4.2 and tap M5

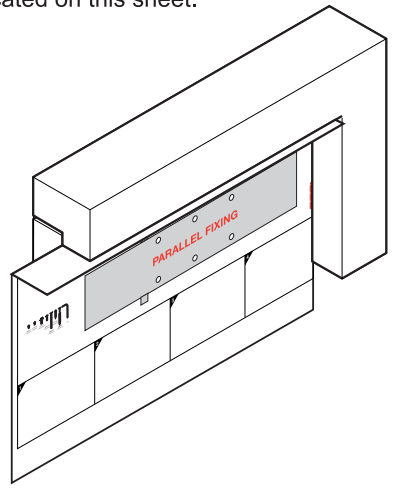
## PARALLEL FIXING (PUSH SIDE)

100

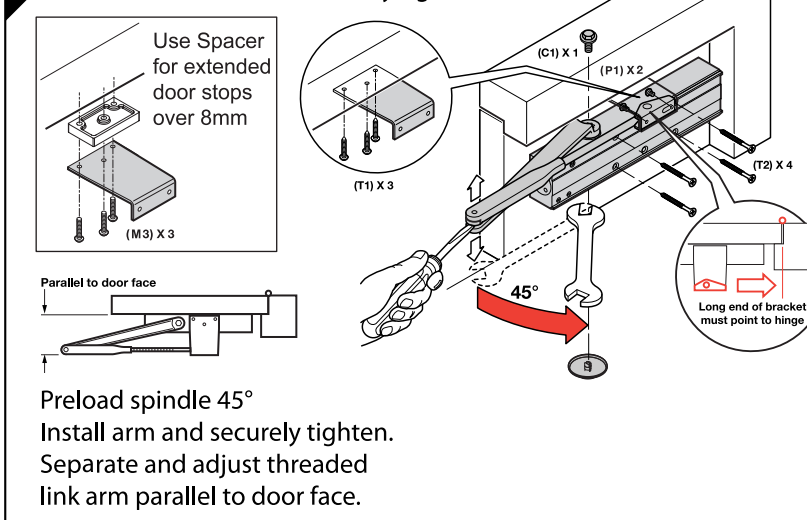
105

45

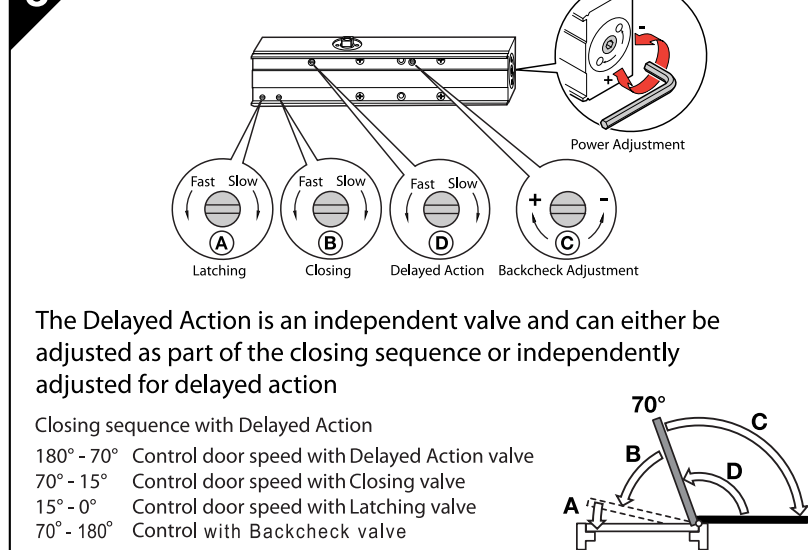
**1** Align template to door. Mark & drill 4 mounting holes and 3 bracket holes as indicated on this sheet.



**2** Screw body in place using screws as shown. Install bracket and securely tighten.



**3** Adjust door controls to suit conditions.



**4** • Fit front cover - clip on bottom first

