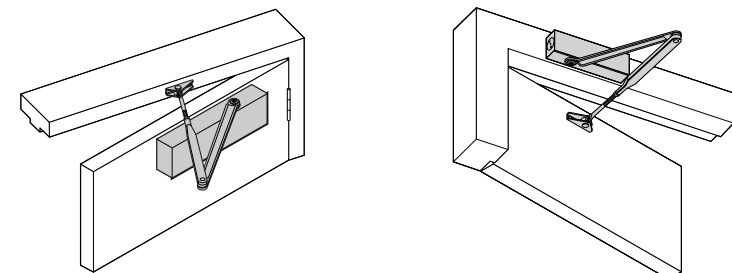
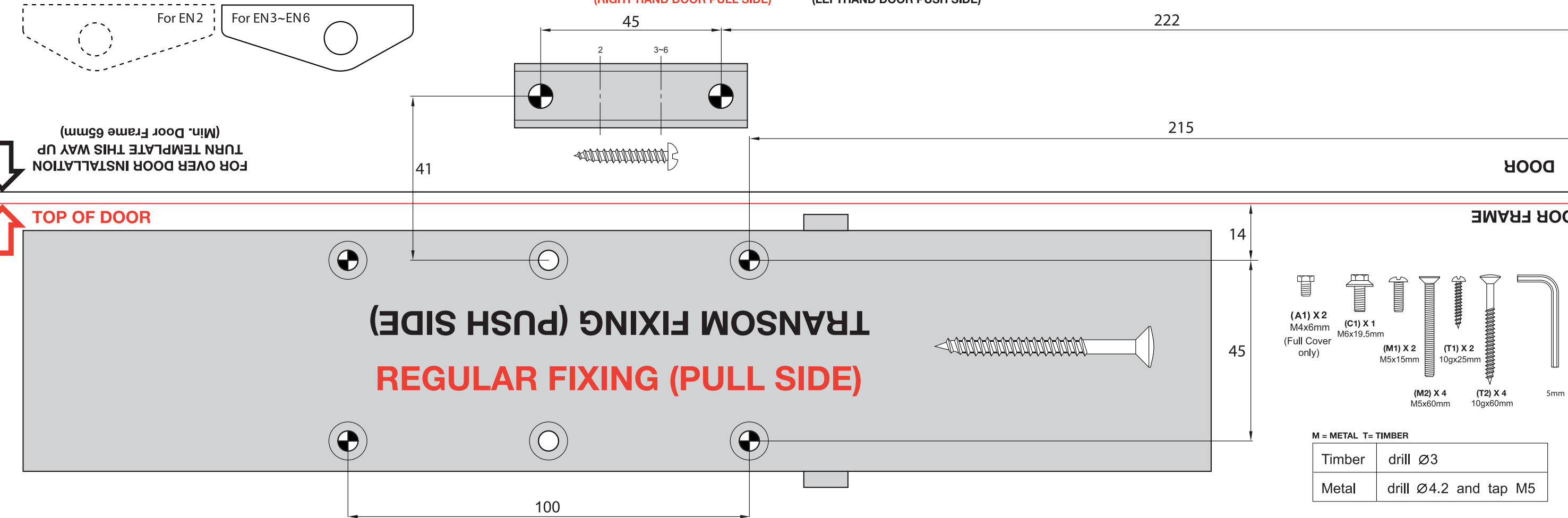


Power Size	Max. Door Width	Max. Door Weight	Max. Door Opening	Min. Closing Torque	Number Turns	Direction
EN2	850mm	40kg	180°	13Nm	5	Anti-Clockwise
EN3	950mm	60kg	180°	18Nm	-	-
EN4	1100mm	80kg	180°	26Nm	5	Clockwise
EN5	1250mm	100kg	180°	37Nm	10	Clockwise
EN6	1400mm	120kg	180°	54Nm	15	Clockwise



7726 SERIES
2-6 POWER ADJUSTABLE
DOOR CLOSER

LOCKWOOD
ASSA ABLOY



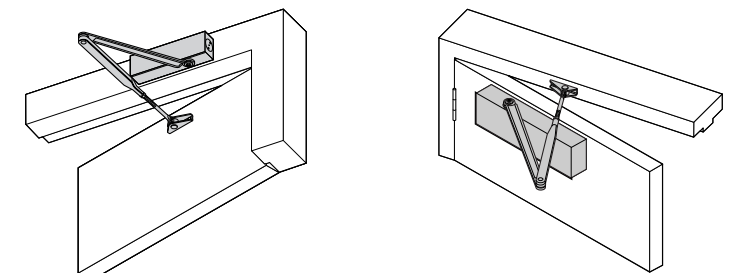
- Align template to door. Mark & drill 4 mounting holes and 2 bracket holes as indicated on this sheet.
 - REGULAR FIXING
 - TRANSOM FIXING
- Screw body in place using screws as shown. Install arm and securely tighten. Separate and adjust threaded link arm 90° to door face.
- Adjust door controls to suit conditions.
 - Power Adjustment
 - Backcheck Adjustment (C)
 - Delayed Action (D)
 - Closing (B)
 - Latching (A)

The Delayed Action is an independent valve and can either be adjusted as part of the closing sequence or independently adjusted for delayed action

Closing sequence with Delayed Action

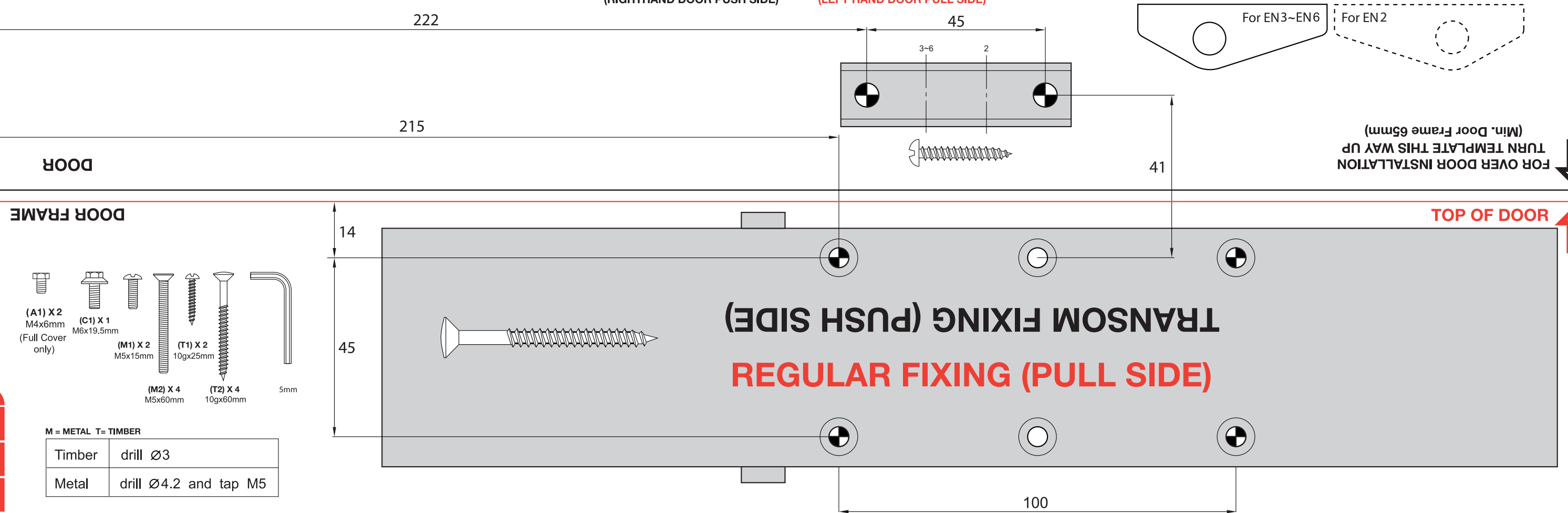
 - 180° - 70° Control door speed with Delayed Action valve
 - 70° - 15° Control door speed with Closing valve
 - 15° - 0° Control door speed with Latching valve
 - 70° - 180° Control with Backcheck valve
- Fit front cover - clip on bottom first. To remove cover slide sideways.
 - REGULAR FIXING
 - TRANSOM FIXING

Power Size	Max. Door Width	Max. Door Weight	Max. Door Opening	Min. Closing Torque	Number Turns	Direction
EN2	850mm	40kg	180°	13Nm	5	Anti-Clockwise
EN3	950mm	60kg	180°	18Nm	-	-
EN4	1100mm	80kg	180°	26Nm	5	Clockwise
EN5	1250mm	100kg	180°	37Nm	10	Clockwise
EN6	1400mm	120kg	180°	54Nm	15	Clockwise



7726 SERIES
2-6 POWER ADJUSTABLE
DOOR CLOSER

LOCKWOOD
ASSA ABLOY



- Align template to door. Mark & drill 4 mounting holes and 2 bracket holes as indicated on this sheet.
 - TRANSOM FIXING
 - REGULAR FIXING
- Screw body in place using screws as shown. Install arm and securely tighten. Separate and adjust threaded link arm 90° to door face.
- Adjust door controls to suit conditions.
 - Power Adjustment
 - Latching (A)
 - Closing (B)
 - Delayed Action (D)
 - Backcheck Adjustment (C)

The Delayed Action is an independent valve and can either be adjusted as part of the closing sequence or independently adjusted for delayed action

Closing sequence with Delayed Action

 - 180° - 70° Control door speed with Delayed Action valve
 - 70° - 15° Control door speed with Closing valve
 - 15° - 0° Control door speed with Latching valve
 - 70° - 180° Control with Backcheck valve
- Fit front cover - clip on bottom first. To remove cover slide sideways.
 - TRANSOM FIXING
 - REGULAR FIXING