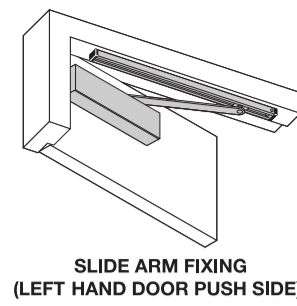
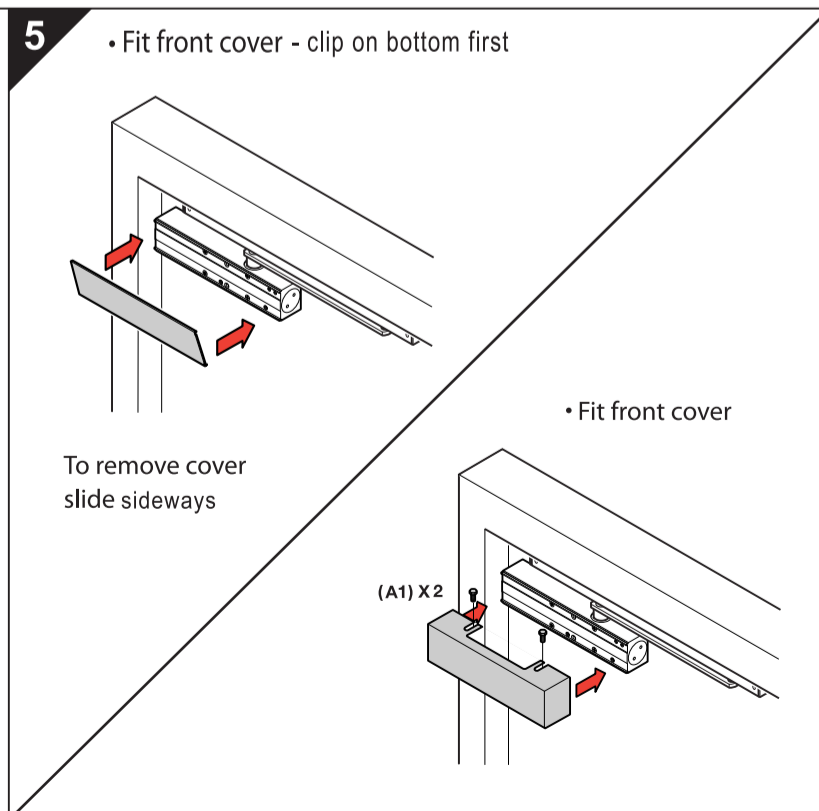
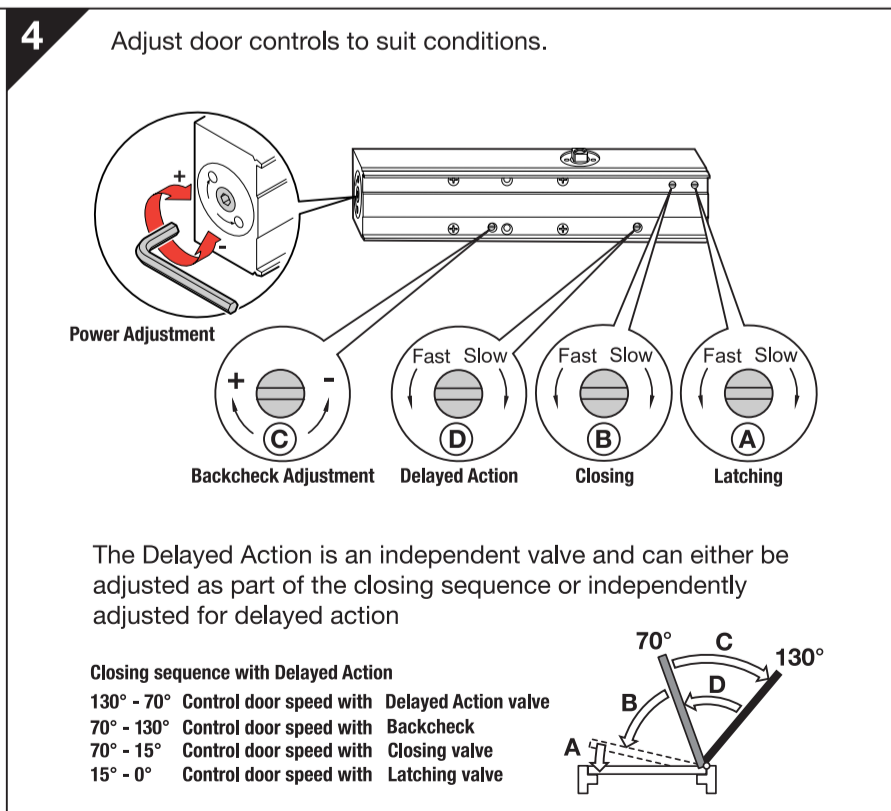
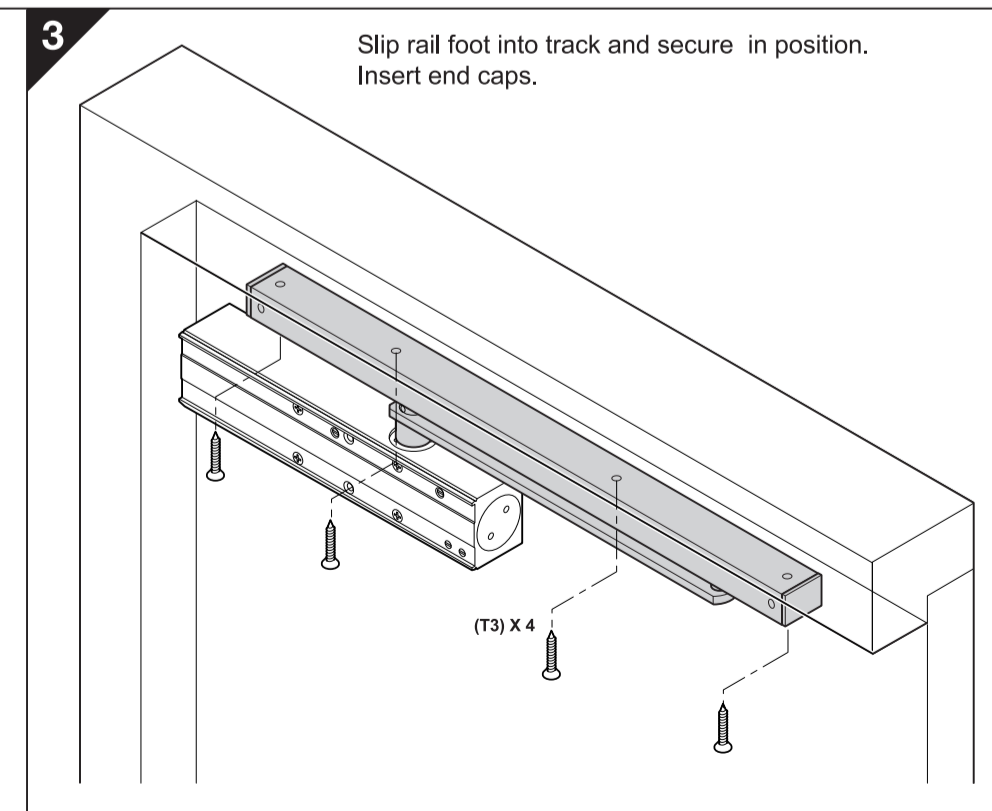
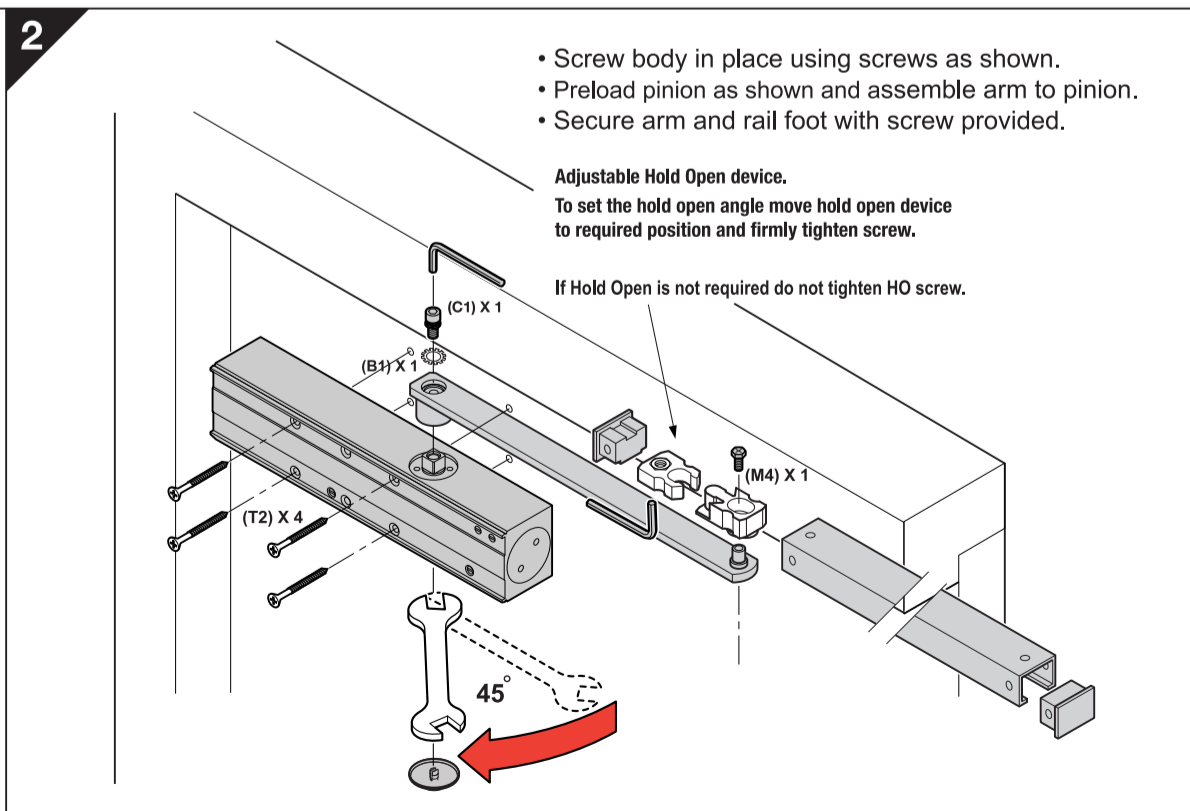
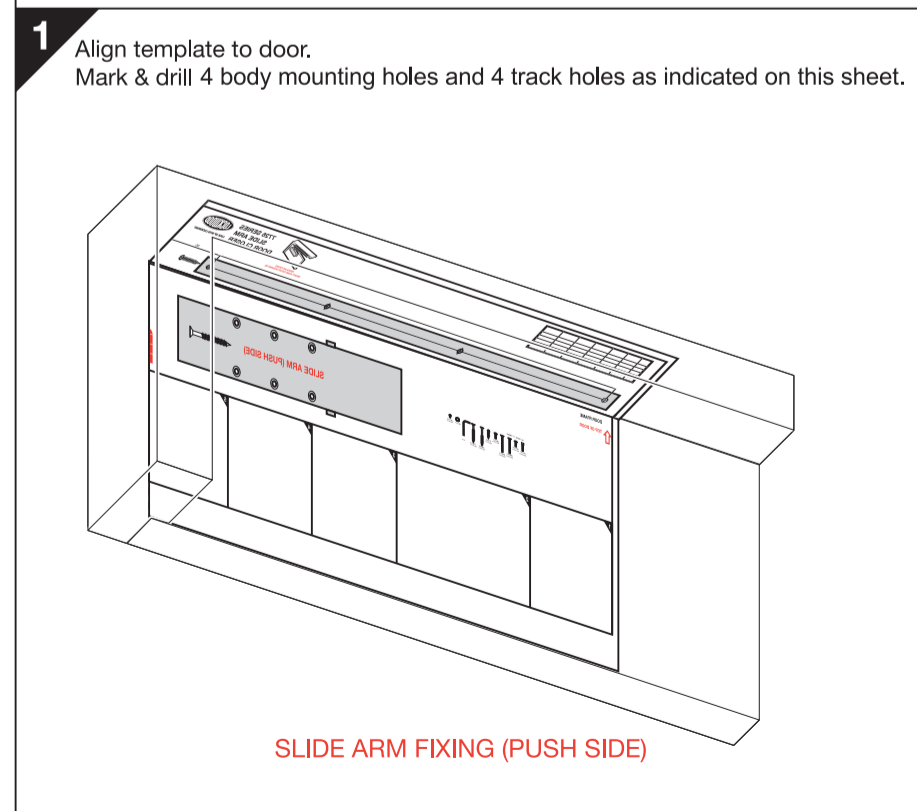
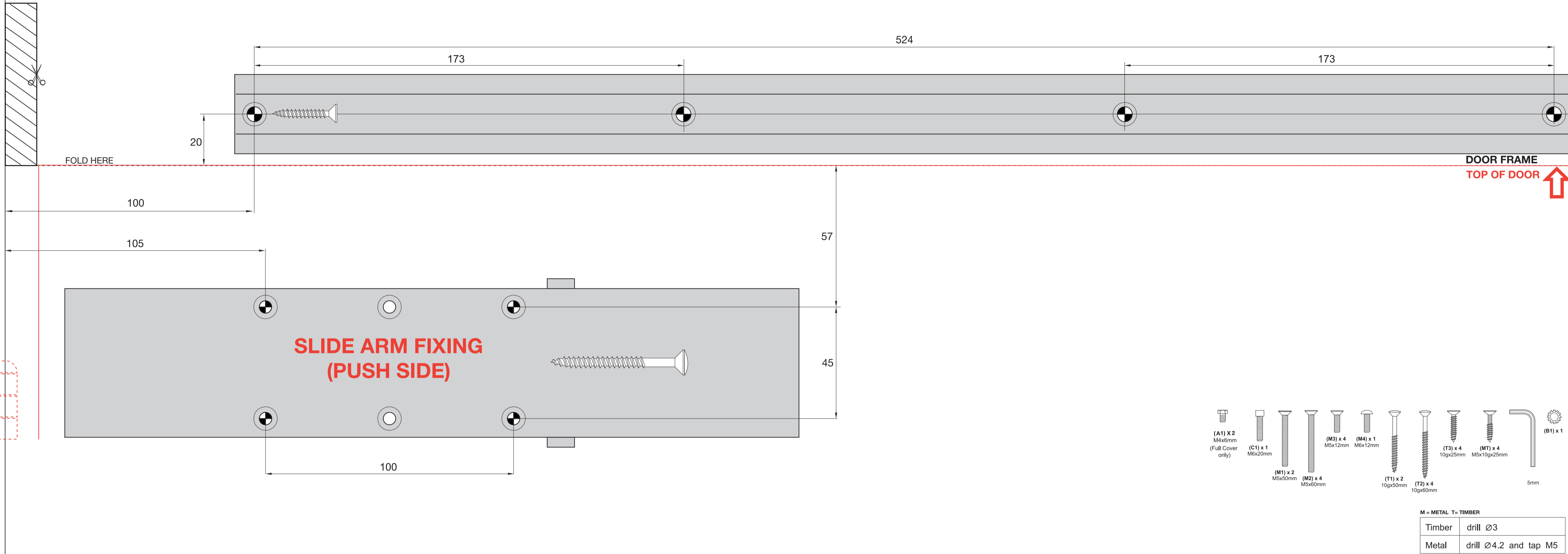


7726 SERIES SLIDE ARM DOOR CLOSER



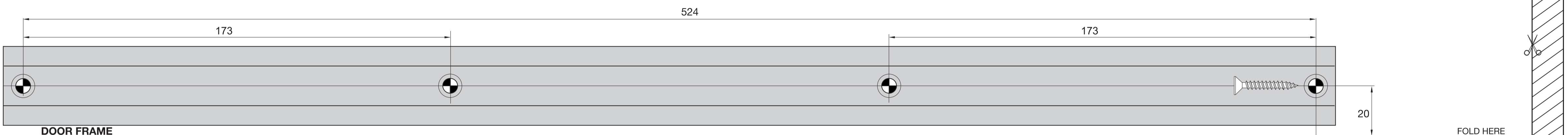
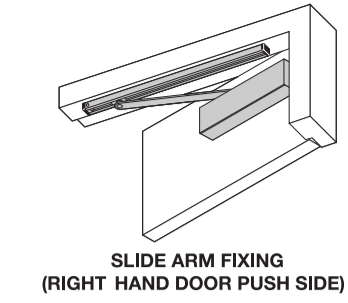
Power Size	Max. Door Width	Max. Door Weight	Max. Door Opening	Min. Closing Torque	Number Turns	Direction
EN1	750mm	20kg	130°	9Nm	15	Anti - Clockwise
EN2	850mm	40kg	130°	13Nm	10	Anti - Clockwise
EN3	950mm	60kg	130°	18Nm	-	-
EN4	1100mm	80kg	130°	26Nm	5	Clockwise



FOLD HERE

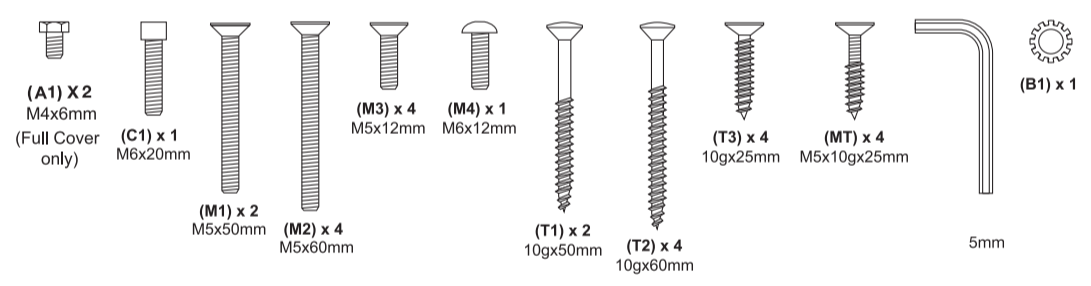
Power Size	Max. Door Width	Max. Door Weight	Max. Door Opening	Min. Closing Torque	Number Turns	Direction
EN1	750mm	20kg	130°	9Nm	15	Anti - Clockwise
EN2	850mm	40kg	130°	13Nm	10	Anti - Clockwise
EN3	950mm	60kg	130°	18Nm	-	-
EN4	1100mm	80kg	130°	26Nm	5	Clockwise

**7726 SERIES
SLIDE ARM
DOOR CLOSER**

DOOR FRAME
↑ TOP OF DOOR

**SLIDE ARM FIXING
(PUSH SIDE)**



M = METAL T = TIMBER

Timber	drill Ø3
Metal	drill Ø4.2 and tap M5

1 Align template to door. Mark & drill 4 body mounting holes and 4 track holes as indicated on this sheet.

SLIDE ARM FIXING (PUSH SIDE)

2 Screw body in place using screws as shown. Preload pinion as shown and assemble arm to pinion. Secure arm and rail foot with screw provided.

Adjustable Hold Open device.
To set the hold open angle move hold open device to required position and firmly tighten screw.

If Hold Open is not required do not tighten HO screw.

3 Slip rail foot into track and secure in position. Insert end caps.

4 Adjust door controls to suit conditions.

The Delayed Action is an independent valve and can either be adjusted as part of the closing sequence or independently adjusted for delayed action.

Closing sequence with Delayed Action
 130° - 70° Control door speed with Delayed Action valve
 70° - 130° Control door speed with Backcheck
 70° - 15° Control door speed with Closing valve
 15° - 0° Control door speed with Latching valve

5 Fit front cover - clip on bottom first.

To remove cover slide sideways.

Fit front cover