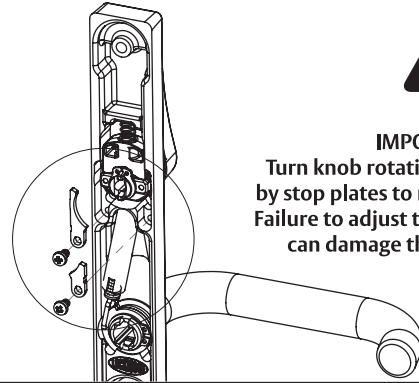
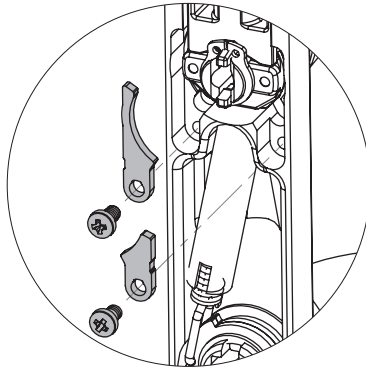


1

### ACCESSIBLE TURN HANDING INSTRUCTIONS

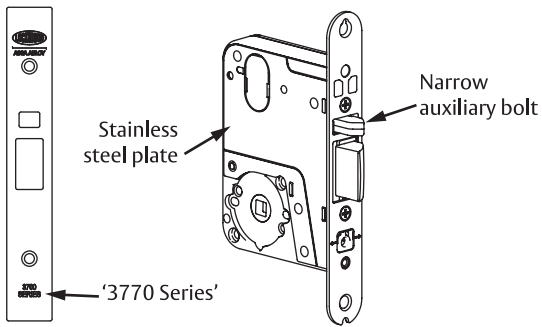
- Identify mortice lock used in installation
- Adjust stop plates to suit lock and required handing.
- Turn is supplied configured to suit Selector mortice lock RH setting.



**IMPORTANT**  
Turn knob rotation must be limited by stop plates to match lock rotation. Failure to adjust to the correct setting can damage the lock or tailbar.

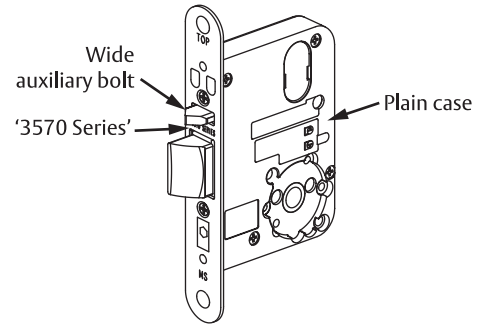
A

#### SELECTOR MORTICE LOCK

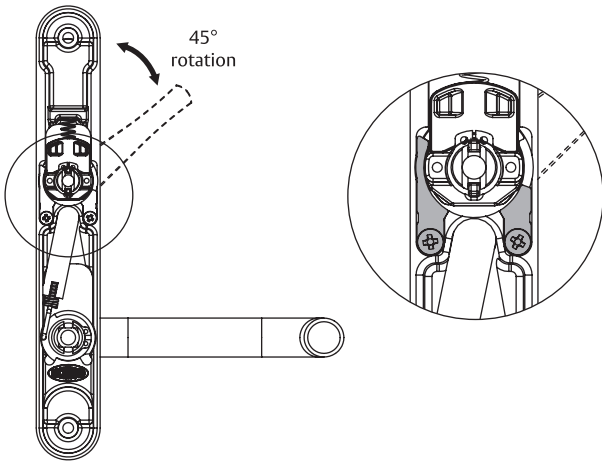


B

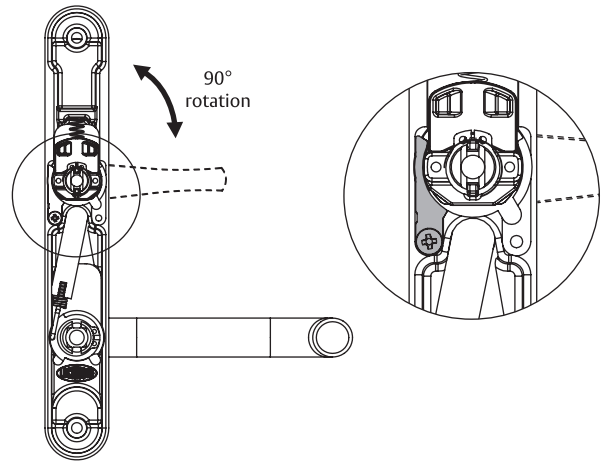
#### SYNERGY MORTICE LOCK



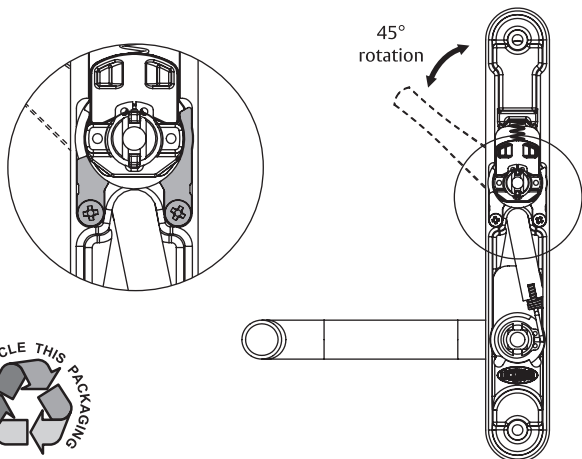
#### SELECTOR RH SETTING



#### SYNERGY RH SETTING



#### SELECTOR LH SETTING



#### SYNERGY LH SETTING

