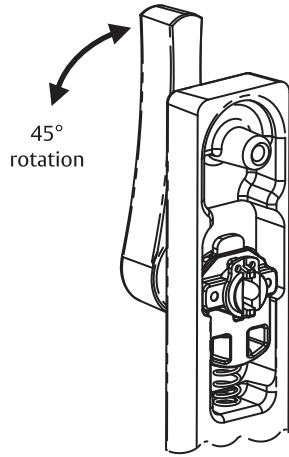


Configure Turn Setting to Suit Mortice Lock in Use

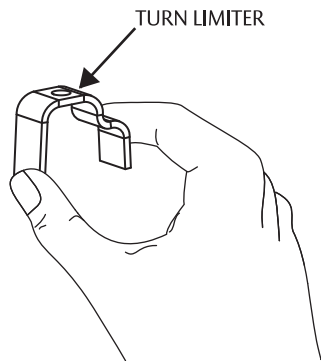
A) SELECTOR MORTICE LOCK SETTING



Orientation shown is for LH

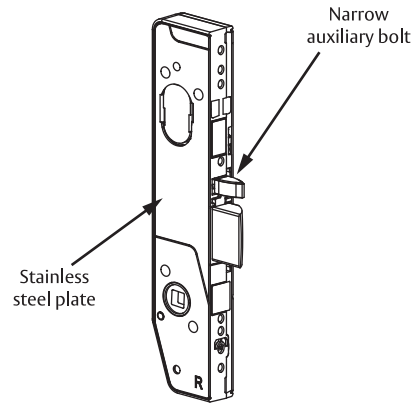


IMPORTANT
Use turn limiter as instructed.
An incorrect turn setting can
damage tailbars and furniture
function.

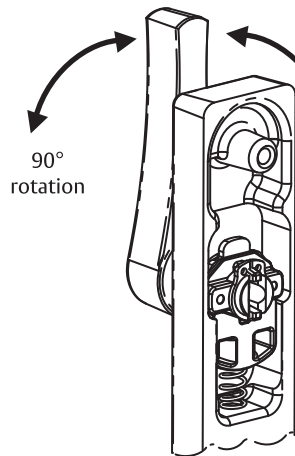


If using Selector Mortice Lock, insert turn limiter in
required handing. Turn should rotate to 45°.

SELECTOR MORTICE LOCK



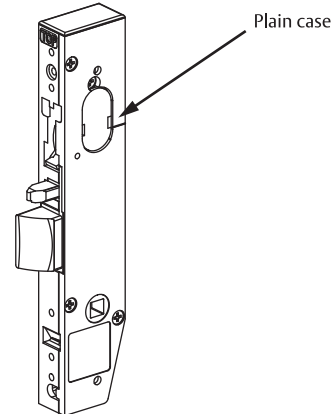
B) SYNERGY MORTICE LOCK SETTING



NO TURN
LIMITER

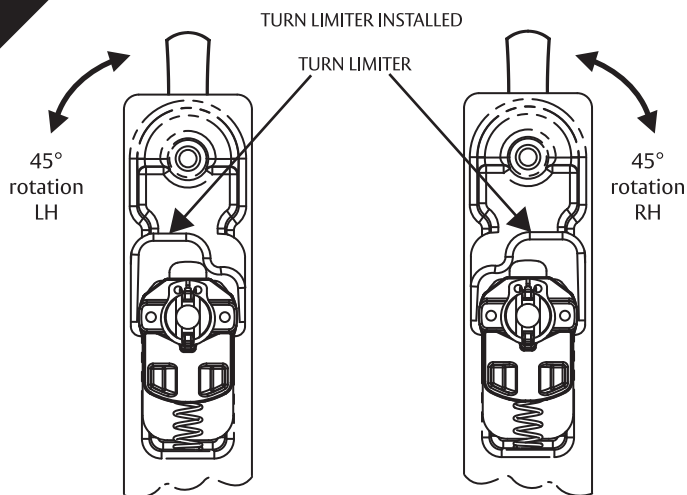
If using Synergy Mortice Lock, do not insert turn limiter.
Turn should rotate to 90°.

SYNERGY MORTICE LOCK



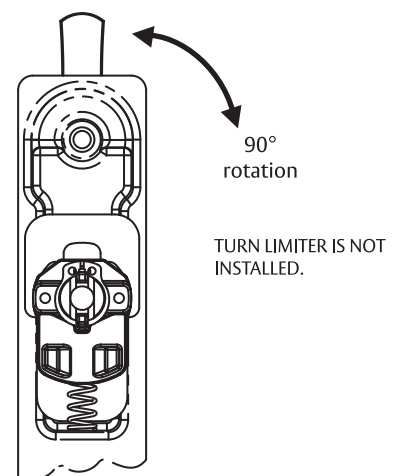
A

3782 SELECTOR SETTING



B

3582 SYNERGY SETTING



P/No. 1220-621 - 0521