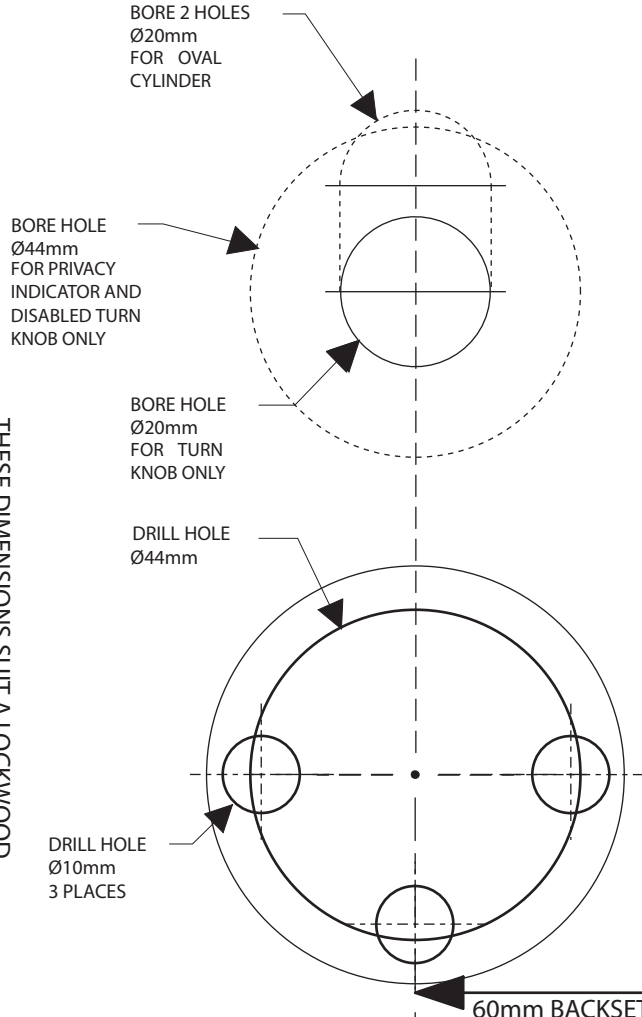




THESE DIMENSIONS SUIT A LOCKWOOD  
3570 SERIES MORTICE LOCK.



**ASSA ABLOY**  
ASSA ABLOY Australia Pty Limited  
50 Edward Street, Oakleigh VIC 3166,  
ABN 90 086 451 907 ©2005  
An ASSA ABLOY Group brand

TOP EDGE OF 3570 FACE PLATE

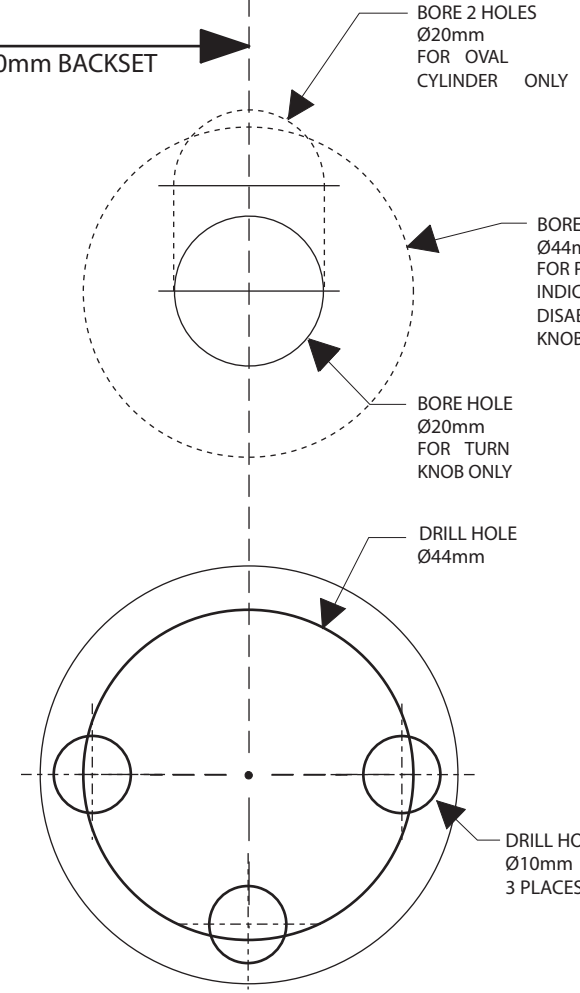
127mm BACKSET

89mm BACKSET

60mm BACKSET

FOLD ALONG DOTTED LINE AND ALIGN TEMPLATE WITH EDGE OF DOOR

FOLD ALONG DOTTED LINE AND ALIGN TEMPLATE WITH EDGE OF DOOR



THESE DIMENSIONS SUIT A LOCKWOOD  
3570 SERIES MORTICE LOCK.

260-23  
30621 0905

