

ASSA ABLOY is the global leader in door opening solutions, dedicated to satisfying end-user needs for security, safety and convenience



Please Note:

This document is provided as a dimensional reference and should not be printed as a drilling template unless it can be correctly scaled to 100% by your printer.

ASSA ABLOY Australia Pty Limited
235 Huntingdale Road,
Oakleigh Victoria, 3166
Australia

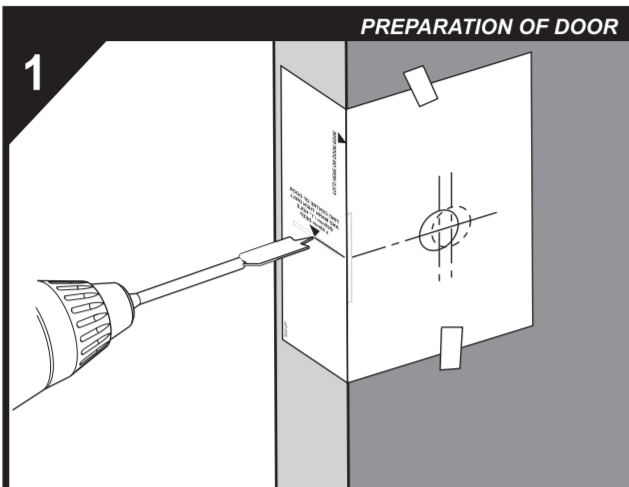
info.au@assaabloy.com
assaabloy.com.au

ASSA ABLOY New Zealand Ltd.
6 Armstrong Road
Albany, North Shore City, 0632
New Zealand

info.nz@assaabloy.com
assaabloy.co.nz

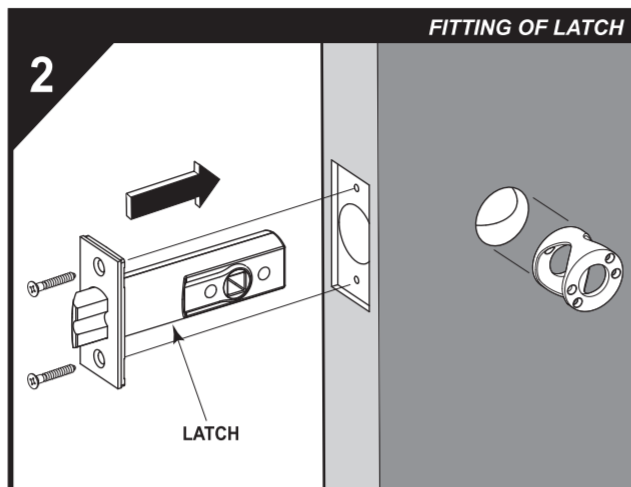
Aluminium Furniture with 530 Latch

RW00-39 30621-1108



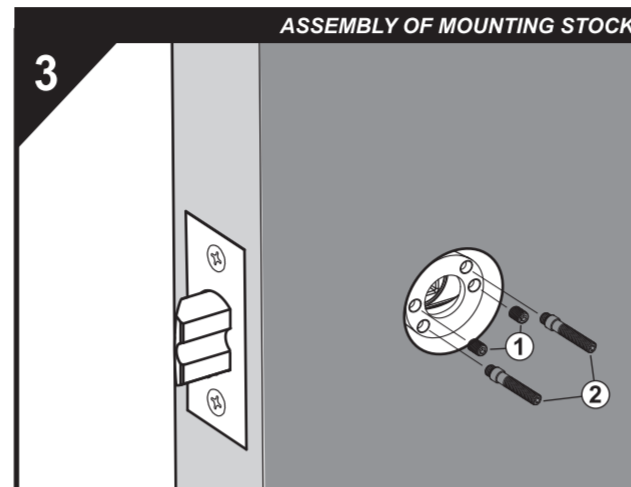
PREPARATION OF DOOR

- (Separate template from installation instructions. Fold template where indicated and position on door with tape at the required height. Prepare door as per door hole template.)
- **Note: Accurate drilling of holes is essential. To ensure alignment of holes, drill accurate pilot holes from both sides of the door. To prevent splintering drill holes from both sides of the door.**
- Drill Ø29mm (1 1/8") spindle hole through the face of the door first. Then drill the Ø24mm latch hole in the door edge.



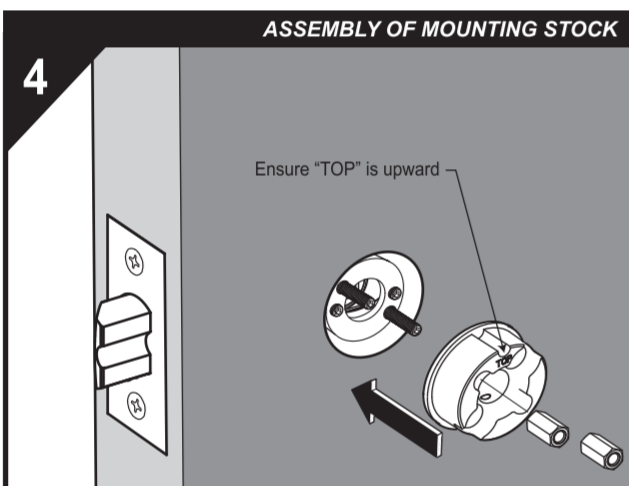
FITTING OF LATCH

- Slide latch into hole and mark around latch face plate.
- Chisel out face plate recess to a depth of 3.5 mm. Mark and drill 2 x Ø3mm holes for the latch screws.
- Locate adaptor in cross hole.
- Insert latch with angled face of bolt towards proposed strike position and fasten with 2 x 20mm screws provided.



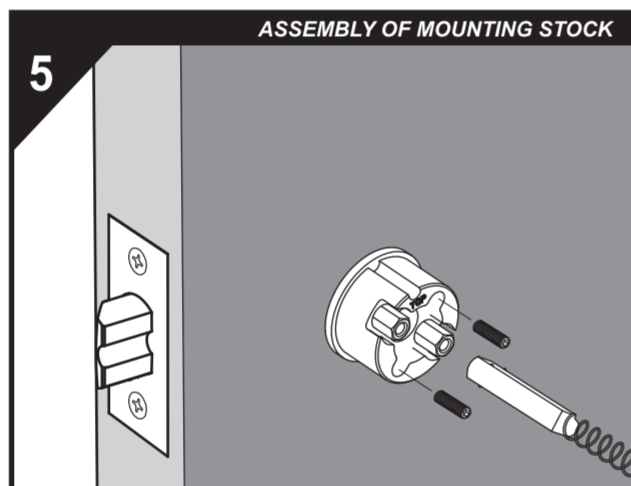
ASSEMBLY OF MOUNTING STOCK

- 1. Secure adaptor to latch with 2 off M4 x 5mm grub screws each side. Screw point to align in holes in latch case. *** DO NOT OVERTIGHTEN !**
- 2. Screw short thread end of M4 shoulder studs into adaptor plate.



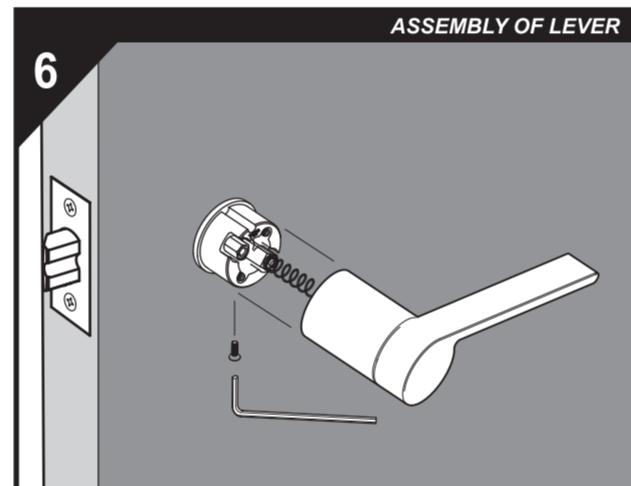
ASSEMBLY OF MOUNTING STOCK

- Place mounting stock against door and secure using nuts, at this stage do not tighten.



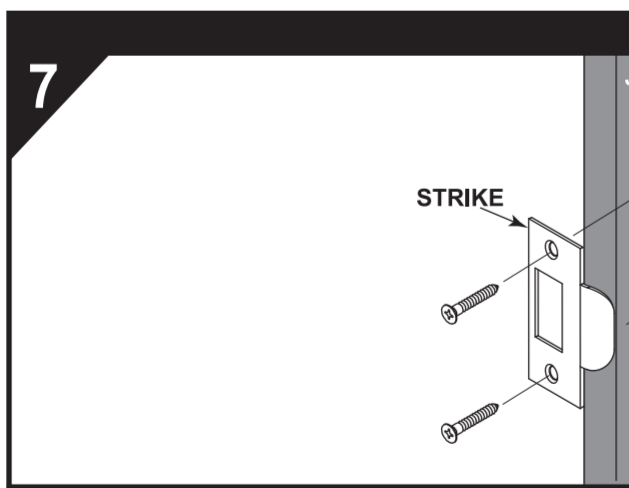
ASSEMBLY OF MOUNTING STOCK

- Ensure alignment by locating spindle through mounting stock and latch hub before tightening.
- Screw M4 x 20mm jacking grub screws into mounting stock. Adjust the jacking screws firmly against the adaptor (jacking screws prevent distortion of door face when nuts are tightened).
- Tighten nuts to secure assembly to the door. *** DO NOT OVERTIGHTEN !**



ASSEMBLY OF LEVER

- Attach lever assembly and secure with M4 x 10mm countersunk screw.
- Ensure lever operates smoothly.



FITTING OF STRIKE

- Partially close door and mark position of latch bolt, mark and mortise door jamb to suit Strike. Drill Ø3 pilot holes for Strike screws.
- Place Strike in position and secure with 2 x 20mm screws. Check final operation of lock, latch and strike. Note: Clearance hole for bolt must be 16mm deep

ASSA ABLOY LOCKWOOD GUARANTEE

ASSA ABLOY Australia Pty Limited ("ASSA ABLOY") warrants its Lockwood products against defects in workmanship and materials, subject to the limitations and exclusions set out in this Warranty. If, within the normal working life of a product, it is found to be defective, and none of the limitations and exclusions set out in this Warranty apply, ASSA ABLOY will supply the same or equivalent product free of charge. This is the only remedy granted by ASSA ABLOY under this Warranty Limitations: All electrical and electronic components used in ASSA ABLOY's Lockwood range of products (excluding batteries) are guaranteed for a period of 12 months from the date of purchase, unless stated otherwise.

Exclusions: This Warranty does not cover:

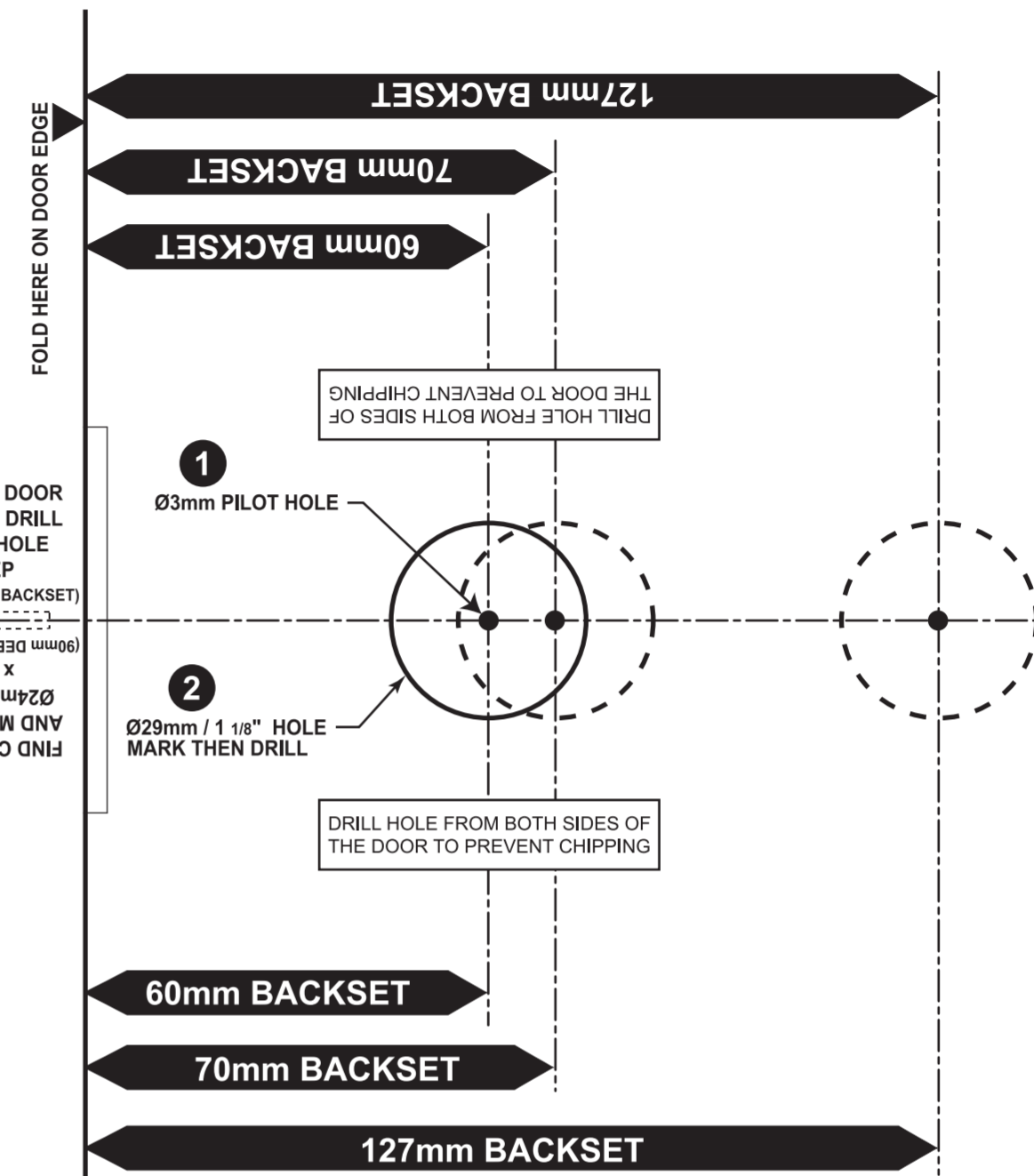
1. Damage to or malfunction or failure of the Lockwood product caused or contributed to by: (a) improper installation or failure to follow fitting instructions; (b) improper maintenance; (c) fair wear and tear; (d) any modification or repair which has not been authorized by ASSA ABLOY; (e) use of substitute or replacement parts or cylinders other than genuine ASSA ABLOY parts or cylinders; or (f) use of batteries other than those specified by ASSA ABLOY.
2. The cost of: (a) removal and/or replacement of the Lockwood product; (b) freight and/or travelling time; (c) replacement batteries; or (d) any modification or repairs to a Lockwood product, unless authorised by ASSA ABLOY.
3. Damage to or deterioration of the plated finishes Florentine Bronze, Architectural Bronze, Polished Brass, Gold and Satin Brass, which are classified as soft finishes, and are subject to deterioration under some environmental conditions.
4. Personal injury, property damage or economic loss, however caused.

Symmetry® 5 Year Finish Warranty: ASSA ABLOY Australia Pty Limited will replace five-year branded Symmetry product if within five years from the proven date of purchase it tarnishes, discolours or corrodes when properly installed and subject to no more than fair wear and tear.

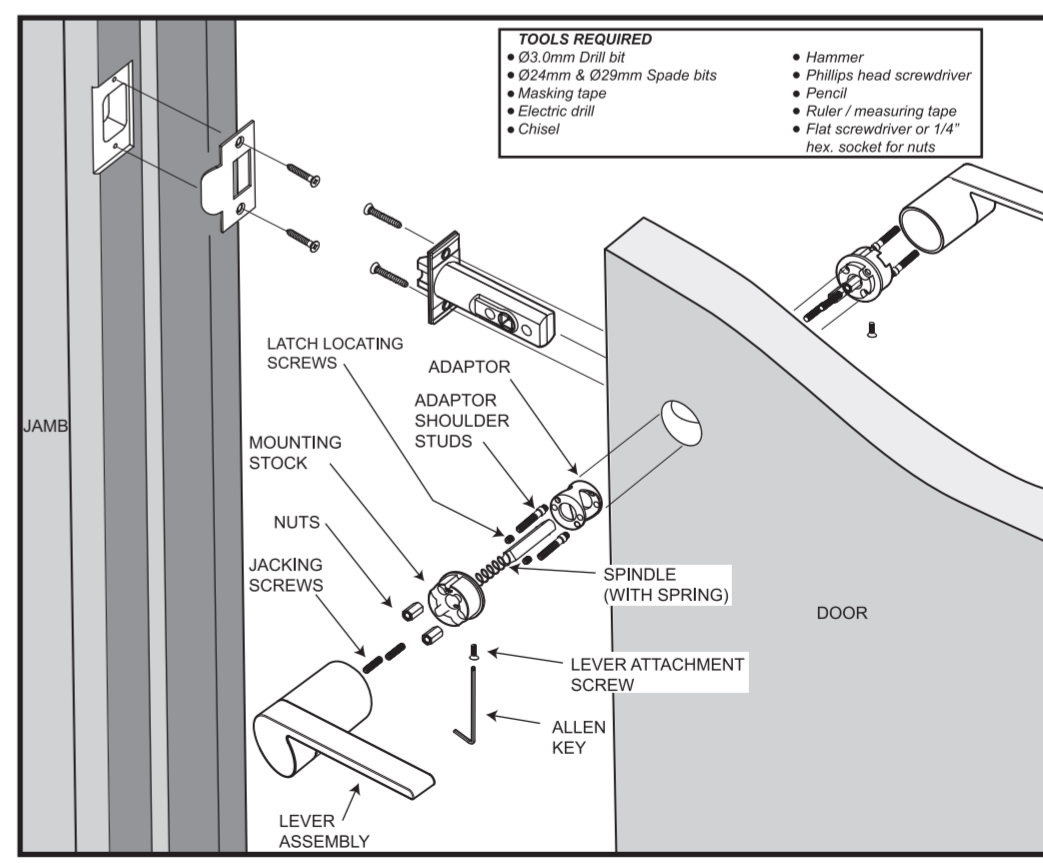
Symmetry® Everbrass® Warranty: Everbrass product is coated both on the exterior and interior surfaces with a lifetime anti-tarnish finish. ASSA ABLOY Australia Pty Limited will replace Everbrass branded product if it corrodes, tarnishes or discolours when properly installed and subject to no more than fair wear and tear. This Warranty is in addition to and not in substitution for any rights of the purchaser under the Trade Practices Act and state or territory legislation.

TEAR OFF

1. FIND CENTRE OF DOOR AND MARK THEN DRILL Ø24mm / 15/16" HOLE x 80mm DEEP (90mm DEEP FOR 70mm BACKSET)
2. FIND CENTRE OF DOOR AND MARK THEN DRILL Ø29mm / 1 1/8" HOLE x 80mm DEEP
3. FIND CENTRE OF DOOR AND MARK THEN DRILL Ø24mm / 15/16" HOLE x 80mm DEEP



FOLD HERE ON DOOR EDGE



TEAR OFF