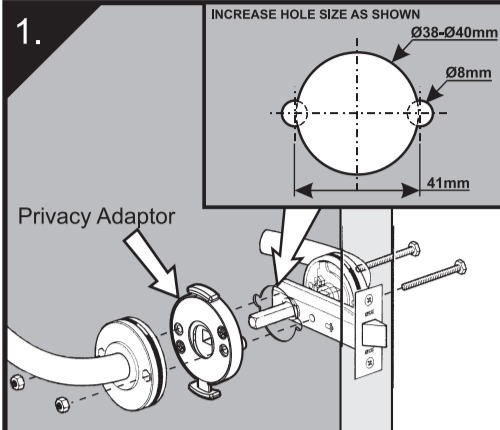


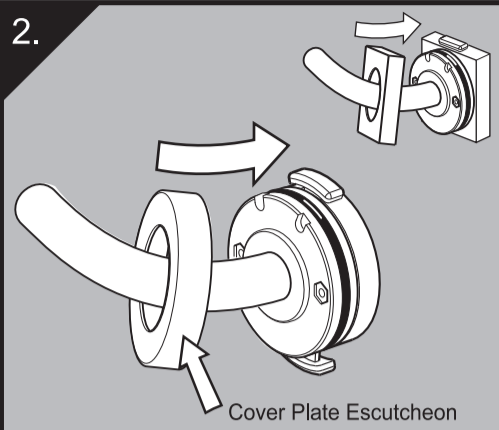
Installation of Privacy Adaptor to Latch & Lever

Note: For full Latch & Lever and Mortice lock installation refer separate furniture instructions

3890-121 30621-0408

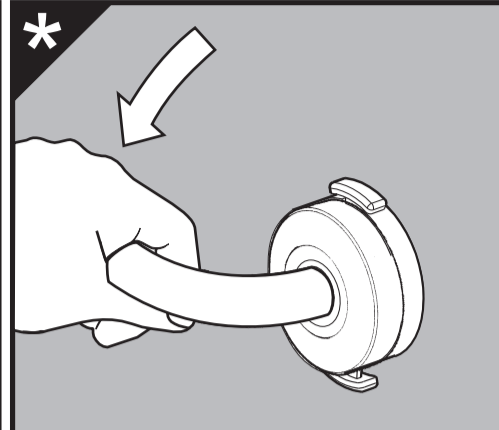


- Remove cover plate escutcheon and disassemble existing lever furniture.
- Using template below increase mounting hole sizes as shown. (Note: Drill Ø8mm holes first)
- Place Privacy Adaptor in between lever furniture and door and reassemble using longer screws and spindle provided in pack. Note: If necessary cut spindle to required length.

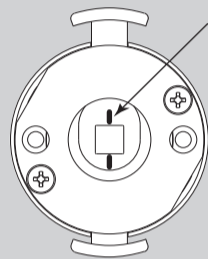
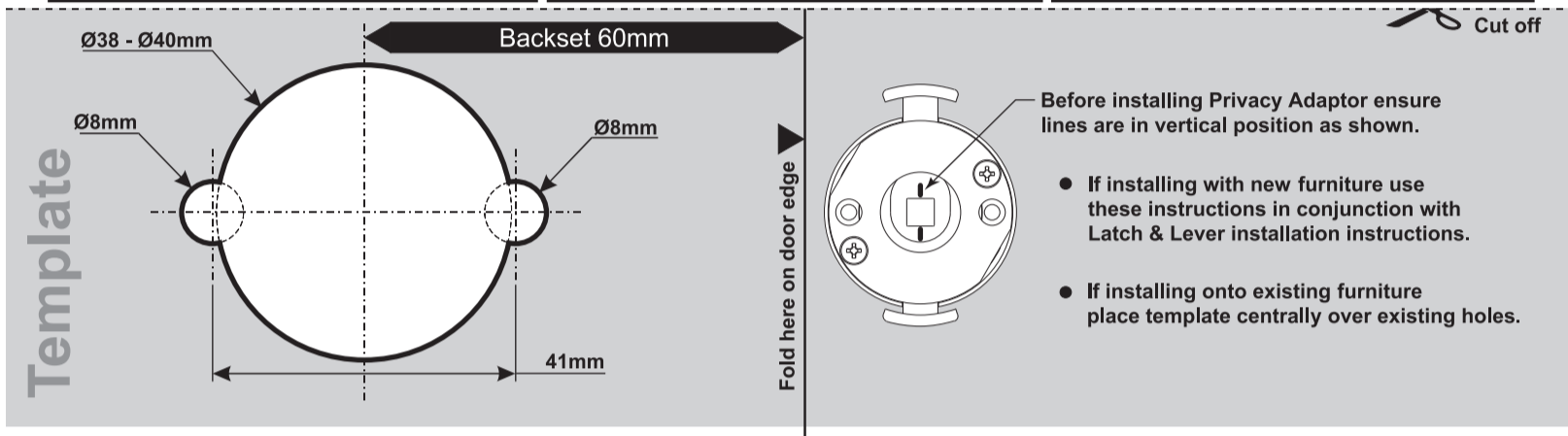


- Position cover plate escutcheon firmly over the furniture.
- Assembly for Square rose Privacy Adaptor is identical.

Please note: Daintree door furniture shown.



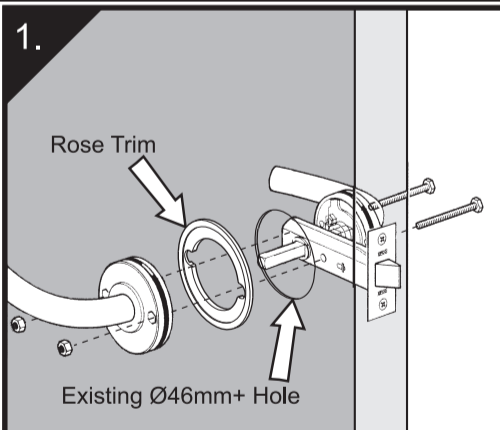
- ★ The Privacy Adaptor has an emergency opening system if the door is locked.
- **In case of emergency press down firmly on lever to enter. No tool required.**
- Decal can be fitted to outside rose for identification.



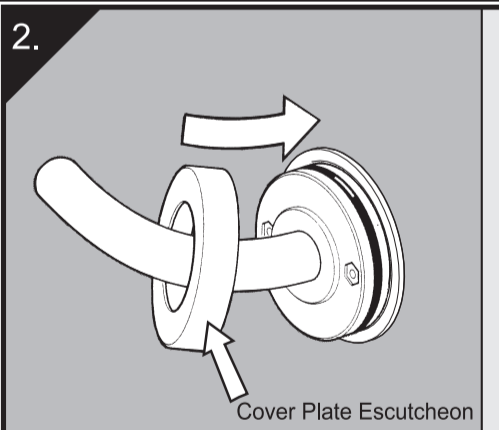
- If installing with new furniture use these instructions in conjunction with Latch & Lever installation instructions.
- If installing onto existing furniture place template centrally over existing holes.

Installation of Rose Trim to Latch & Lever

Note: For full Latch & Lever and Mortice lock installation refer separate furniture instructions

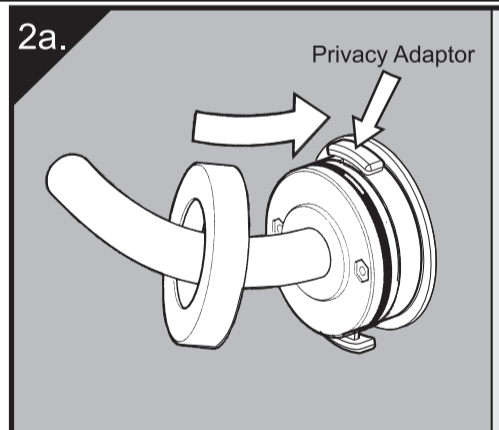


- For holes larger than Ø46mm it is recommended that a Rose Trim be used. Place Rose Trim between the door and lever furniture on both sides. Locate furniture centrally into the Rose Trim.



- Position cover plate escutcheon firmly over the furniture.

Please note: Daintree door furniture shown.



- The Rose Trim can also be used with the Privacy Adaptor. (See other side for Privacy Adaptor installation instruction.)