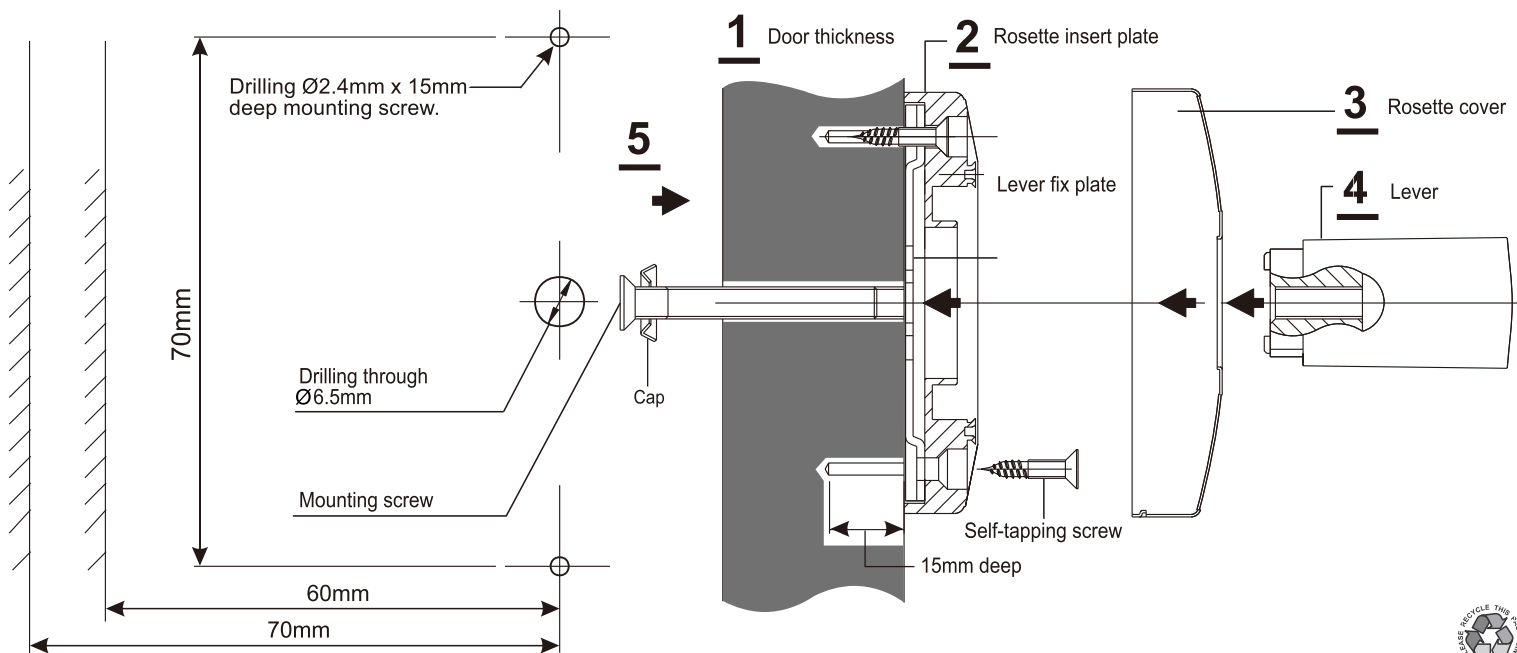


INSTALLATION INSTRUCTION FOR DUMMY LEVER



1. Apply template for hole drilling.
2. Apply self-tapping screws to tighten rosette insert plate on door face.
3. Apply rosette cover on insert plate and turn to fix.
4. Insert lever to engage with lever fix plate.
5. Apply mounting screw from the other side of door and tighten to fix lever.

CARE AND MAINTENANCE

The following care instructions should be followed to ensure a long lasting finish:

1. Remove locks, or do not install locks, prior to painting your door.
2. Periodically clean with mild soap and a soft cloth only.
Do not use abrasives or harsh chemicals, and avoid sharp or scratching objects.

