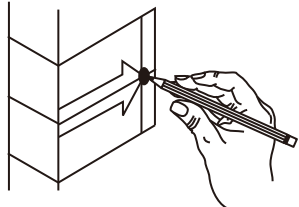
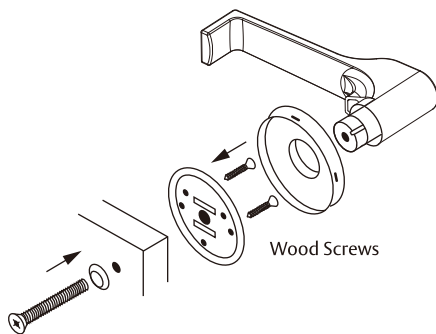


1

## INSTALLING THE DUMMY LEVER



- Mark Dummy Lever location on the door edge.
- Drill  $\text{\O}9.5\text{mm}$  hole through door face at marked hole.
- Tighten steel liner to door face with two wood screws supplied.
- Insert machine screw through washer and through backside of door.
- Tighten onto lever.



Machine Screw

ASSA ABLOY Australia Pty Limited, 235 Huntingdale Rd, Oakleigh, VIC 3166 ABN 90 086 451 9907 © 2016

The global leader in door opening solutions



ASSA ABLOY

- Cut along dotted line to remove template.

Fold here and fit on the door edge.

