

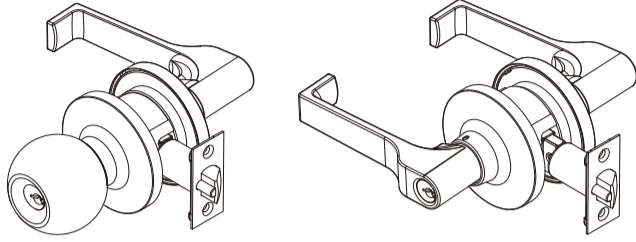
DOOR CLEARANCE NOTE:

To ensure correct functioning of this lockset, the clearance between the door and the frame should be at least 3mm.

L38-000CA12 - ISSUE 4 - 0119 Rev. 19/03-02

1

USE AND CARE GUIDE



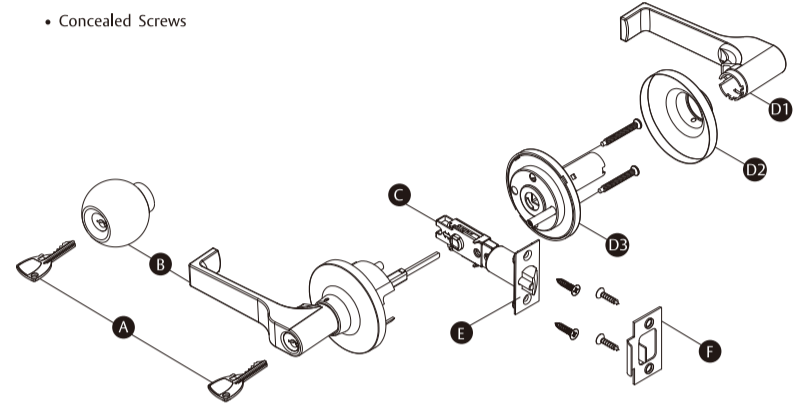
Part	Description	Quantity
AA	Mounting Screws	2
BB	Latch/Strike Plate Screws	4

Note: Not to scale.



Part	Description	Quantity
A	Key	2
B	Exterior assembly	1
C	Latch	1
D	Interior assembly	1
D1	Lever	1
D2	Rose	1
D3	Mounting plate	1
E	Faceplate	1
F	Strike Plate	1

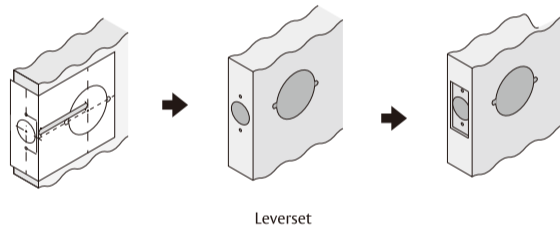
• Concealed Screws



2

DOOR PREPARATION

• Using the template, mark the door and drill the holes, and chisel out a mortise.



Lever set

• Prepare the door jamb – using the strike plate as a pattern, drill the latch and screw holes, and chisel out a mortise until the strike plate fits flush

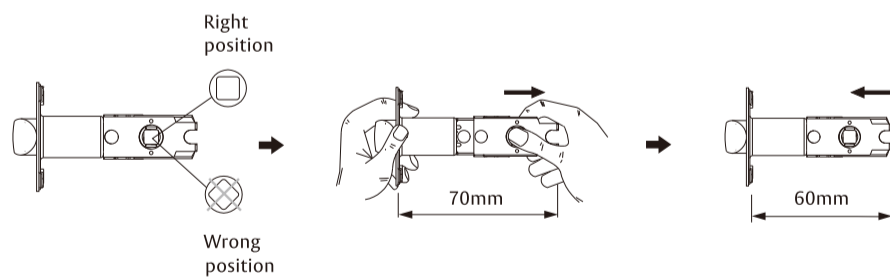


NOTE: To assure proper lockset function, the hole in the door jamb must be drilled 13 mm deep.

3

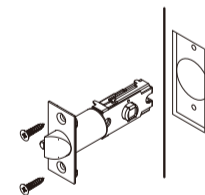
INSTALLATION

• Set the latch backset



CAUTION:
Be sure the latch cam is upright before making any backset adjustment.

• Install the latch



NOTE: The bevel should face the door jamb.

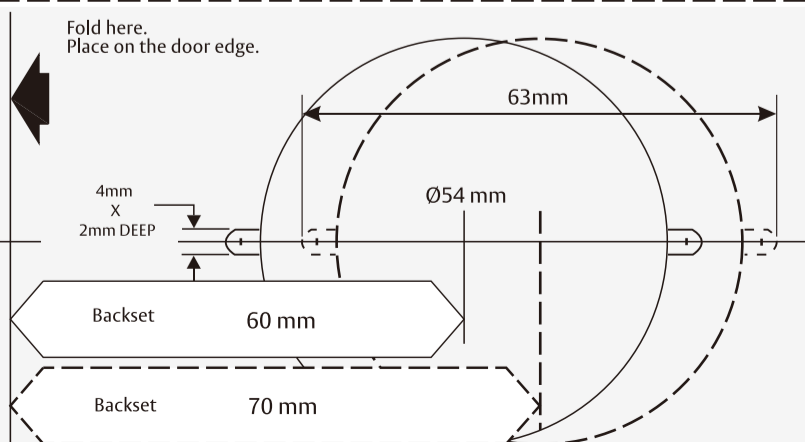
TEMPLATE

Drill a 25 mm diameter hole at the center of the door edge.

NOTE: Double check your product for the correct hole sizes.

51 mm 45 mm 40 mm 35 mm

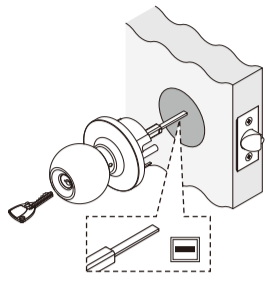
Fold here. Place on the door edge.



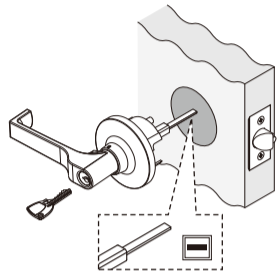
INSTALLING THE LEVER/KNOB

4

• Exterior

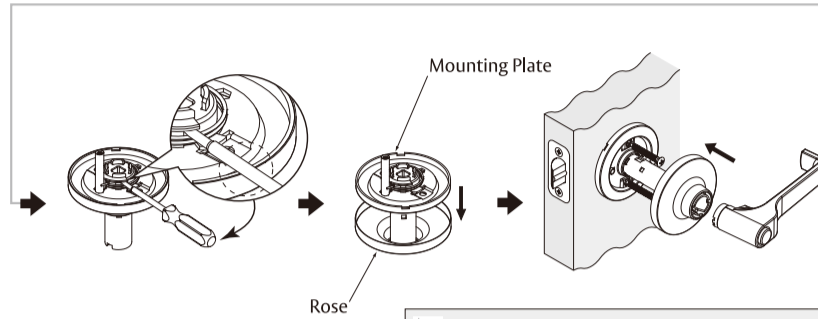
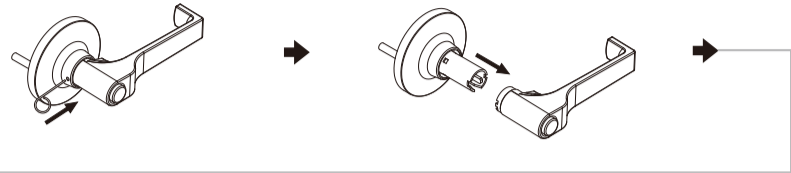


OR



• Concealed Screws

• Remove the interior lever

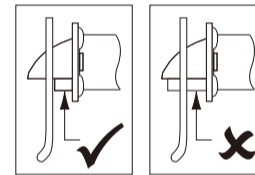
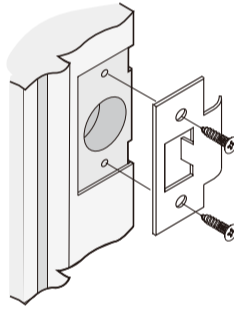


NOTE:
The screwdriver is positioned between the mounting plate and the rose as shown to remove the rose.

5

INSTALLING THE STRIKE PLATE

NOTE:
If required, bend the adjustable tang on the strike to eliminate a loose fit between the door and the door stop.



Security Pin

NOTE: Ensure the lip faces away from the door.