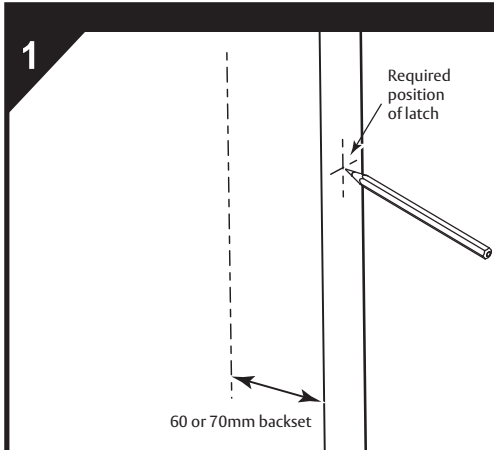
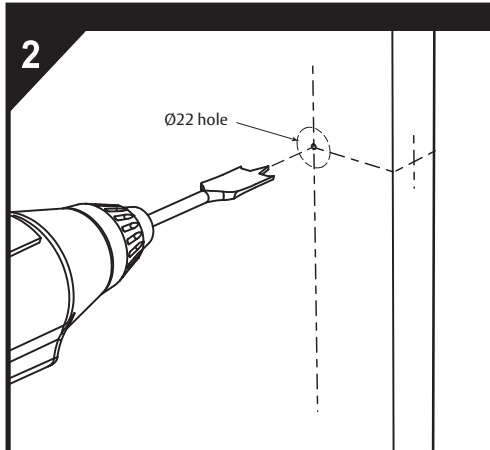




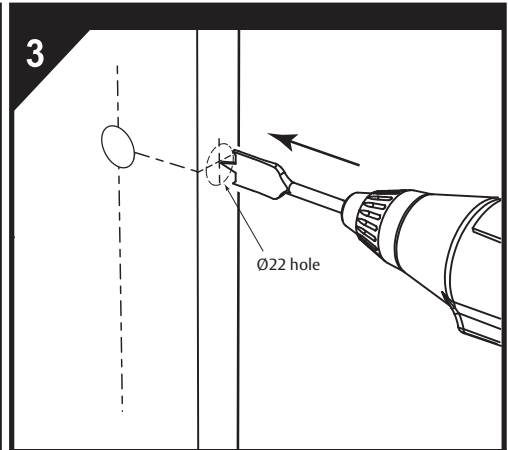
For use with
Nexion Mechanical Lockset and
Nexion Keyless Entry Locket



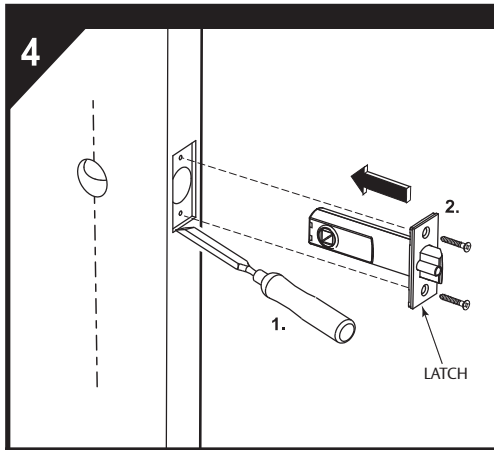
- Mark latch centreline at the required height on the door edge. The recommended latch height from the floor is between 1040 and 1100mm.
- Mark 60 or 70mm backset position on the door.



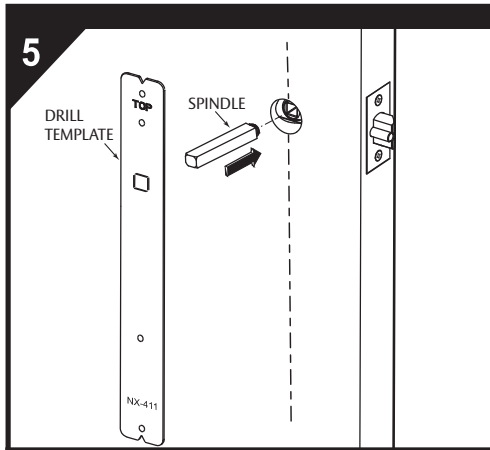
- Drill Ø22mm hole from both sides of the door to prevent splintering in the position shown.



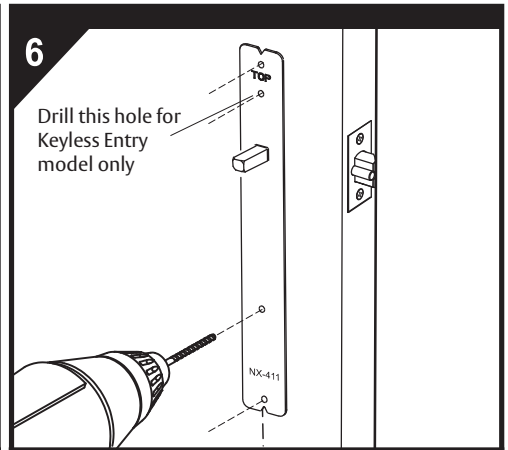
- Drill the Ø22mm latch hole perpendicular to the door edge to a minimum depth of 80mm (60mm backset) / 90mm (70mm backset).



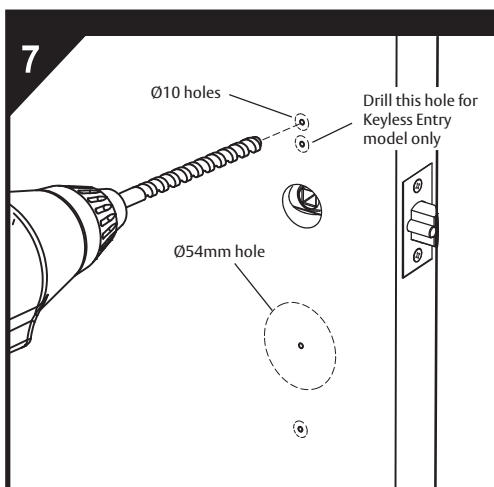
- Slide latch into hole and mark around latch face plate.
- Chisel out face plate recess to a depth of 3.5mm.
- Mark and drill 2 x Ø2.5mm holes for the latch screws.
- Insert latch with angled face of bolt towards proposed strike position and fasten with 2 x 20mm screws provided.



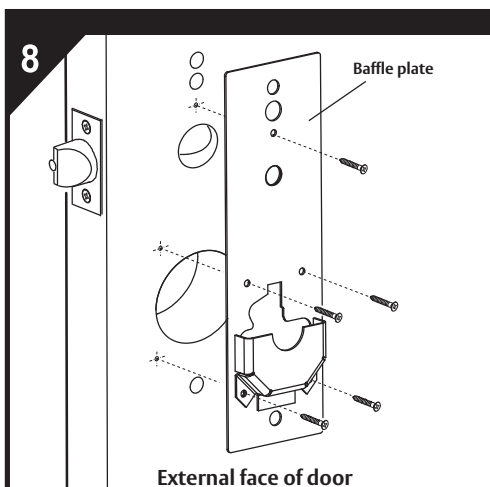
- Insert LONGER SPINDLE from Fire Rated Door Kit into latch as shown.
- Position DRILL TEMPLATE over SPINDLE and align notches with the marked backset position.



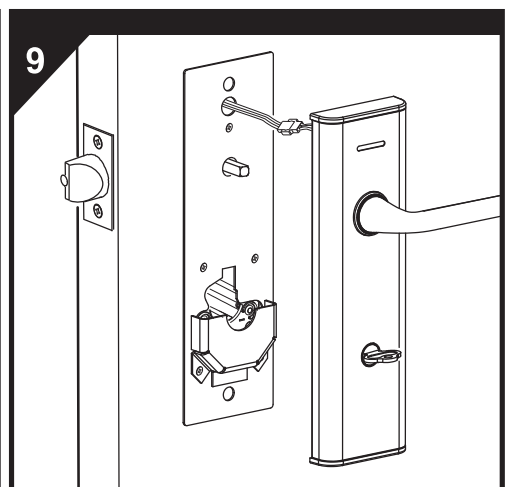
- Make sure the Drill Template is vertical.
- Drill 4 x Ø3mm pilot holes through template.
- Repeat the same process on the other side of the door.



- Drill 3 x Ø10mm holes and 1 x Ø54mm hole, from both sides of the door to prevent splintering.

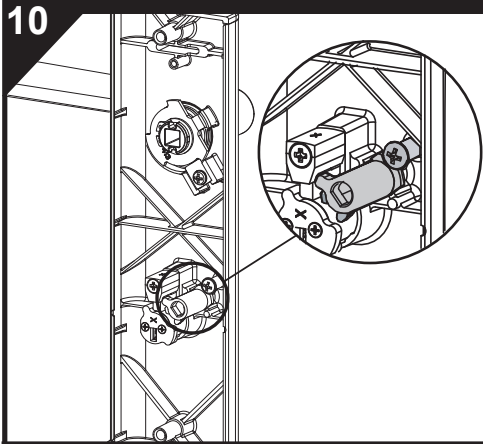


- **IMPORTANT:** Assemble the Baffle plate into position onto the external face of the door as shown. Align the mounting holes and mark & drill 5 holes Ø2.5mm. Fix in position with screws provided.

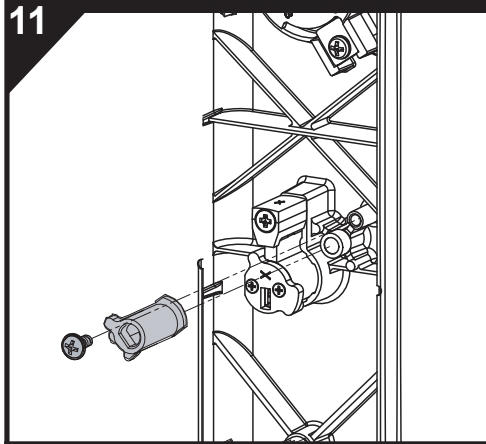


- Continue to assemble the Nexion Lockset as per the main instructions.
 - For doors exceeding 45mm thickness, use the longer 57mm screws provided.
- NOTE: Refer to Page 2 for alternate Cylinder Driver Installation for door thickness 40 to 50mm.

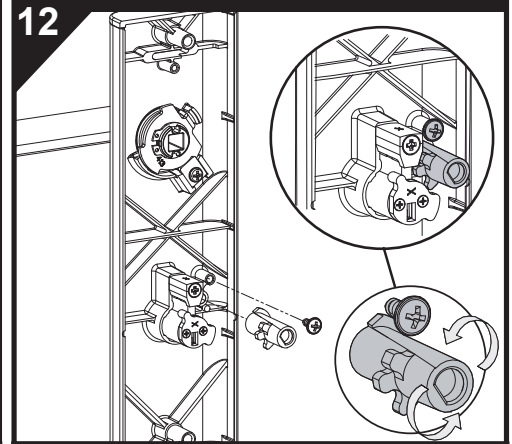
For use with
Nexion Mechanical Lockset and
Nexion Keyless Entry Lockset



- Locate the existing Cylinder Driver and Cylinder Driver Screw.



- Using a Phillips head screw driver, remove the screw, and then the Cylinder Driver.



- Replace with Extended Cylinder Driver in "Fire Rated Door Kit".
 - Fit Extended Cylinder Driver in position with screw so that driver can rotate freely. **Do Not Over-Tighten.**
- Note: Ensure Tab on Cylinder Driver is located under the screw head.