

ASSA ABLOY is the global leader in door opening solutions, dedicated to satisfying end-user needs for security, safety and convenience



Please Note:

This document is provided as a dimensional reference and should not be printed as a drilling template unless it can be correctly scaled to 100% by your printer.

ASSA ABLOY Australia Pty Limited
235 Huntingdale Road,
Oakleigh Victoria, 3166
Australia

info.au@assaabloy.com
assaabloy.com.au

ASSA ABLOY New Zealand Ltd.
6 Armstrong Road
Albany, North Shore City, 0632
New Zealand

info.nz@assaabloy.com
assaabloy.co.nz



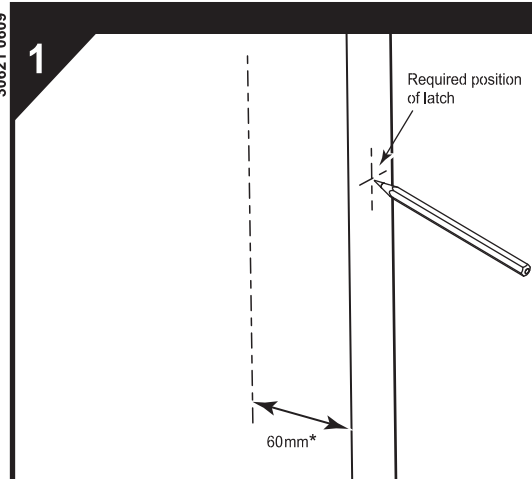
NEXION™

For use with
Nexion Mechanical Lockset and
Nexion Keyless Entry Lockset

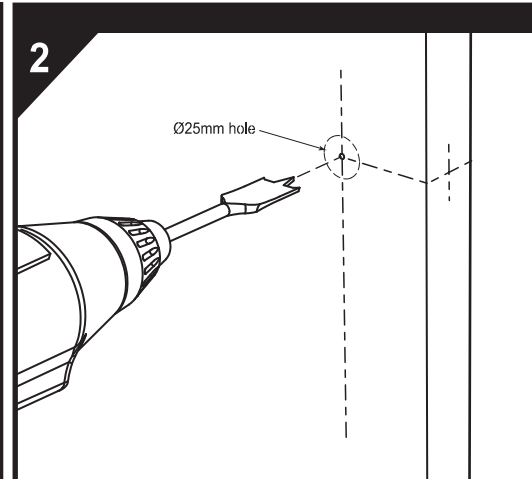
DOOR PREPARATION PROCEDURE



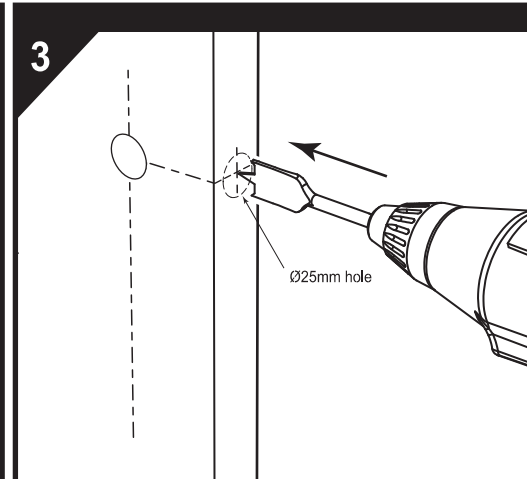
P/No. 5040M
30621 0609



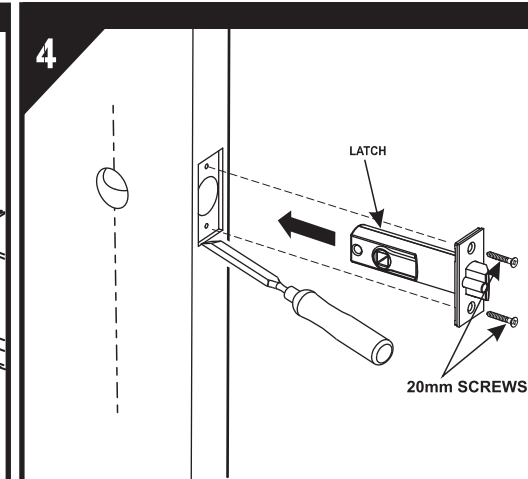
- Mark latch centreline at the required height on the door edge. The recommended latch height from the floor is between 1040 and 1100mm.
- Mark 60mm backset position on the door. (* - 70mm backset is also available)



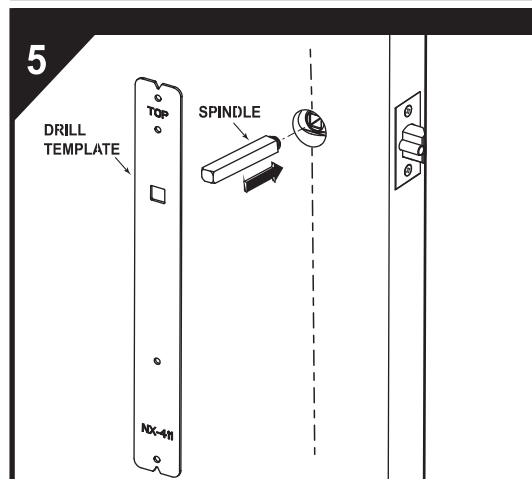
- Drill Ø25mm hole from both sides of the door to prevent splintering in the position shown.



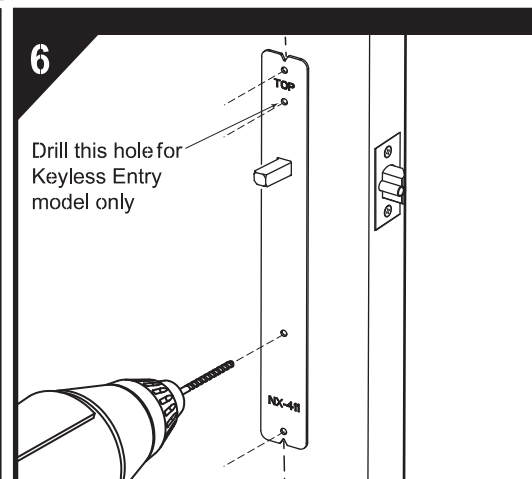
- Drill the Ø25mm latch hole horizontally to a minimum depth of 90mm for 60mm backset. (100mm depth for 70mm backset)



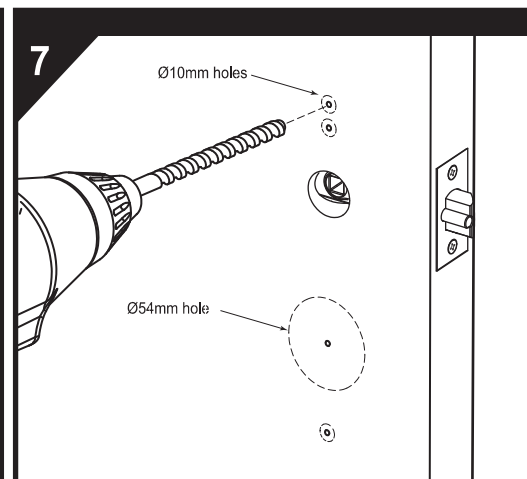
- Slide latch into hole and mark around latch face plate.
- Chisel out face plate recess to a depth of 3.5 mm. Mark and drill 2 x Ø2.5mm holes for the latch screws.
- Insert latch with angled face of bolt towards door jamb and fasten with 2 x 20mm screws provided.



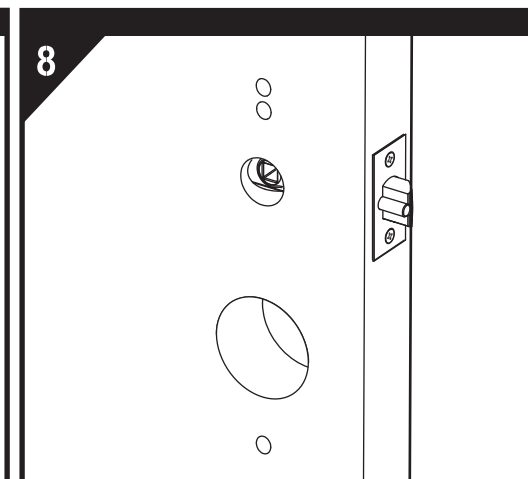
- Insert SPINDLE into latch as shown.
- Position DRILL TEMPLATE over SPINDLE and align notches with the marked backset position.



- **Make sure the Drill Template is vertical.**
- Drill 4 x Ø2.5 mm pilot holes through template.
- Repeat the same process on the other side of the door.



- Drill 3 x Ø10mm holes and 1 x Ø54mm hole from **both sides** of the door in the positions shown to prevent splintering.



- **When completed make sure holes are free of any sawdust or loose material.**