

ASSA ABLOY is the global leader in door opening solutions, dedicated to satisfying end-user needs for security, safety and convenience



## Please Note:

This document is provided as a dimensional reference and should not be printed as a drilling template unless it can be correctly scaled to 100% by your printer.

ASSA ABLOY Australia Pty Limited  
235 Huntingdale Road,  
Oakleigh Victoria, 3166  
Australia

[info.au@assaabloy.com](mailto:info.au@assaabloy.com)  
[assaabloy.com.au](http://assaabloy.com.au)

ASSA ABLOY New Zealand Ltd.  
6 Armstrong Road  
Albany, North Shore City, 0632  
New Zealand

[info.nz@assaabloy.com](mailto:info.nz@assaabloy.com)  
[assaabloy.co.nz](http://assaabloy.co.nz)

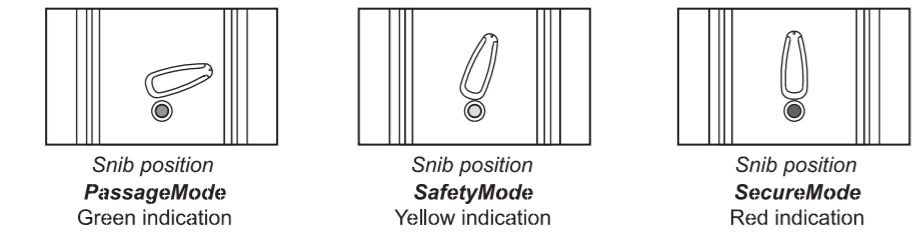
**LOCKWOOD** **NEXION™** Mechanical Lockset  
ASSA ABLOY

Part No. 5038M 0817  
**PassageMode** - free to enter from outside and free to exit from inside  
**SafetyMode** - locked from the outside and free to exit from inside  
**SecureMode** - locked from both the inside and outside

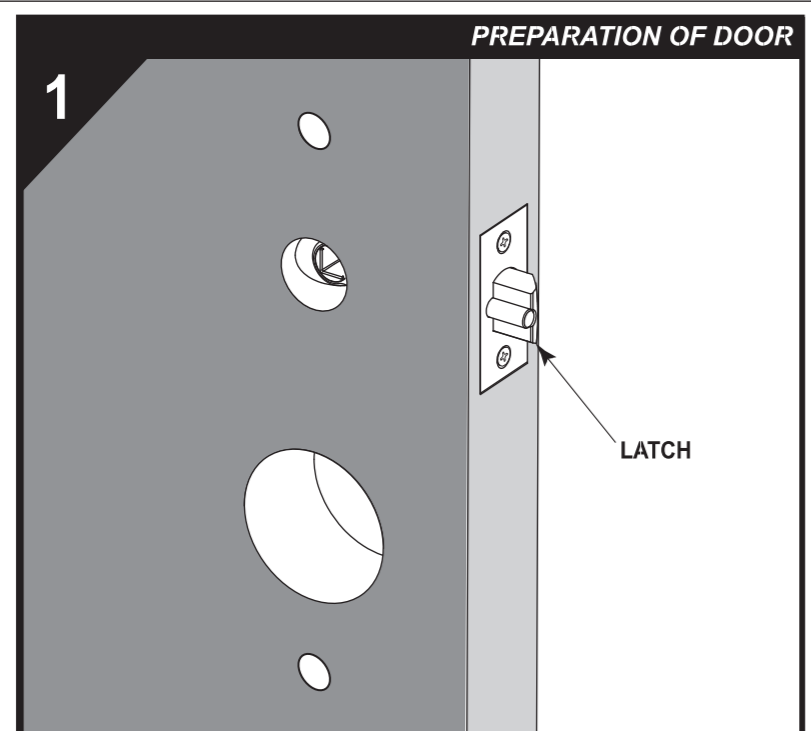
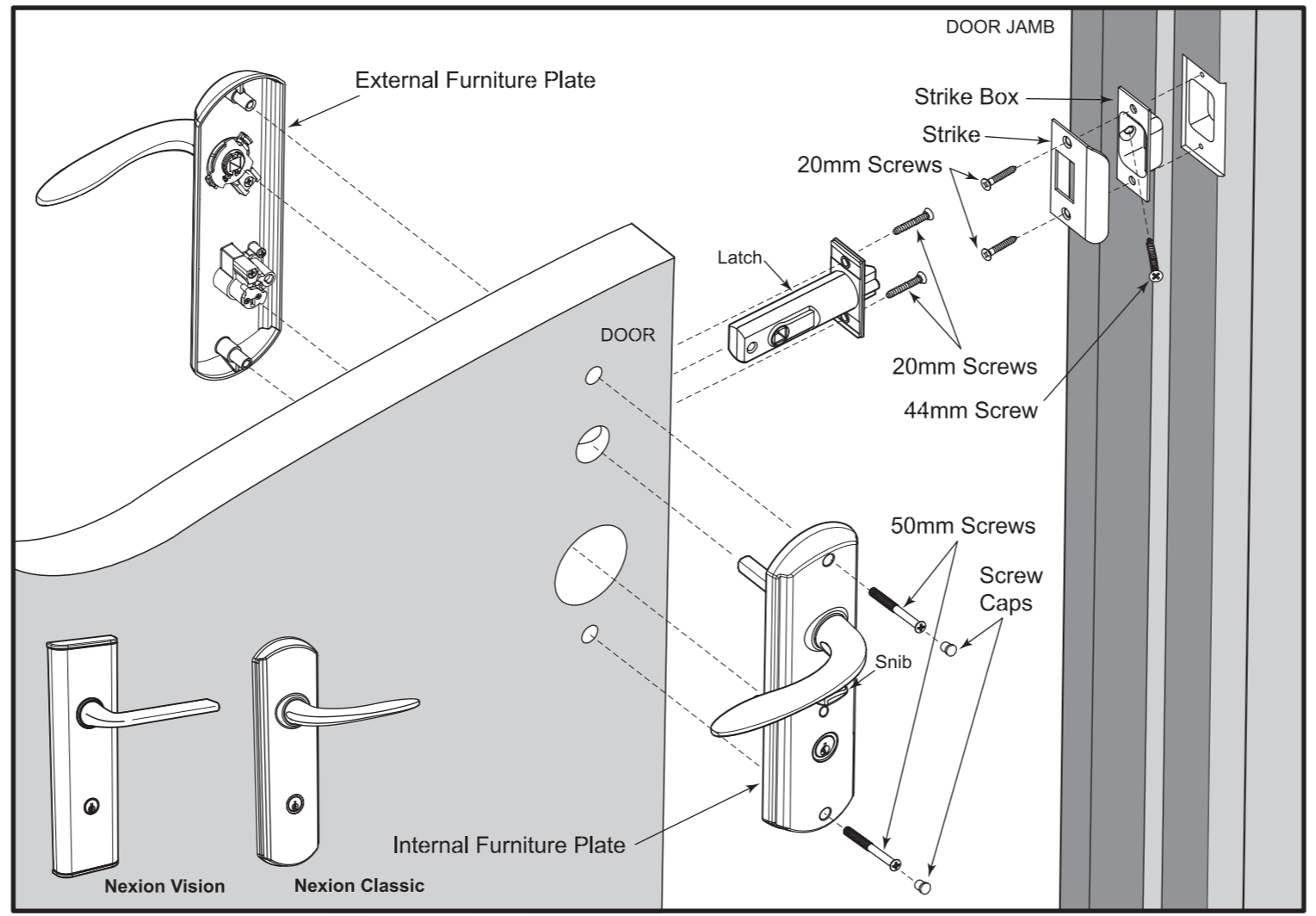
**MECHANICAL OPERATION**

- On Entry**
- From the outside, rotate key 90° clockwise, operate the external handle and open door. (Lock goes into **PassageMode**)
  - Rotate key 90° anti-clockwise to remove. (Lock returns to **SafetyMode**)
- On Exit**
- From the inside, with Snib in **PassageMode**, operate the internal handle. (Lock stays in **PassageMode**)
  - From the inside, with Snib in **SafetyMode**, operate the internal handle. (Lock goes into **PassageMode** and stays in **PassageMode**)
  - To lock door on exit, turn Snib to **SafetyMode** and close door.

- To SecureMode (Both handles locked)**
- With Snib in **PassageMode** - Both handles operational
  - With door open and with Snib in **SafetyMode** - Rotate the internal key 360° clockwise to **SecureMode**, close door. (Rotate the internal key 360° anti-clockwise to remove **SecureMode**)

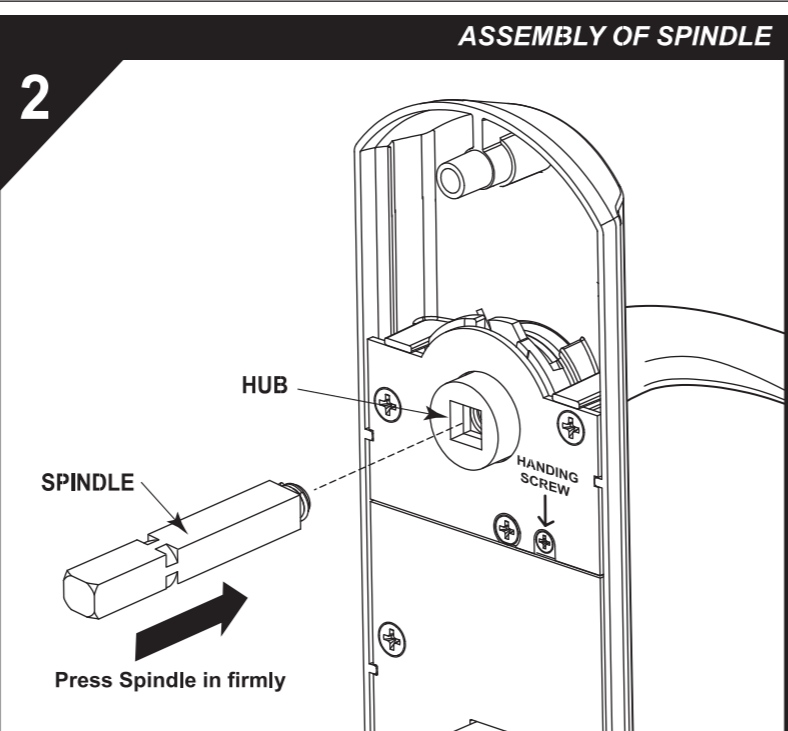


- TOOLS REQUIRED**
- Ø2.5mm / 3/32" Drill bit
  - Ø25mm / 1" Spade bit
  - Ø10mm / 3/8" Drill bit
  - Ø54mm / 2 1/8" Hole saw
  - Electric drill
  - Chisel - 25mm or smaller
  - Hammer
  - Phillips Head screwdriver
  - Masking tape
  - Pencil
  - Ruler / Measuring tape
- Please ensure that all necessary safety precautions are undertaken when installing this lockset.



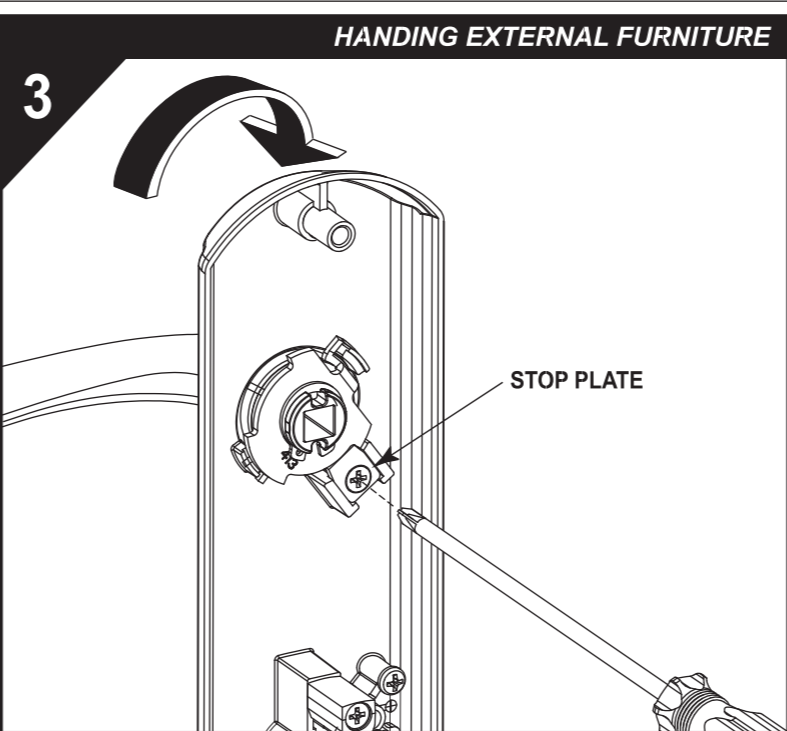
Using the accompanying metal drill template and Door Preparation instruction, prepare the door and assemble latch as shown above. Check hole pattern against the Hole Pattern Illustration on this page.

When completed make sure holes are free of any sawdust or loose material.



Assemble the spindle by inserting into the hub in the internal furniture plate and pressing firmly as shown.

It is important to ensure the spindle is securely and permanently engaged.

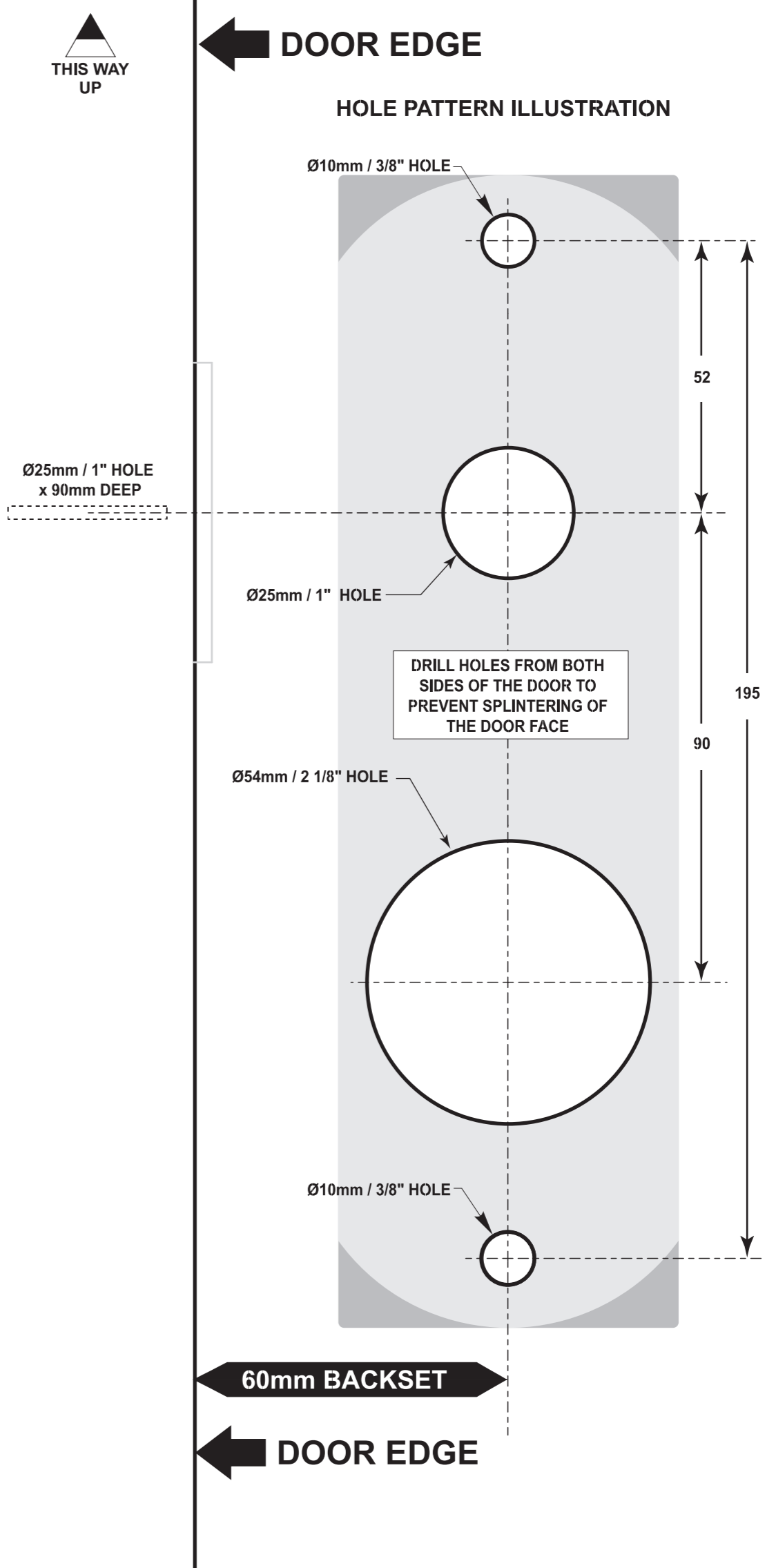


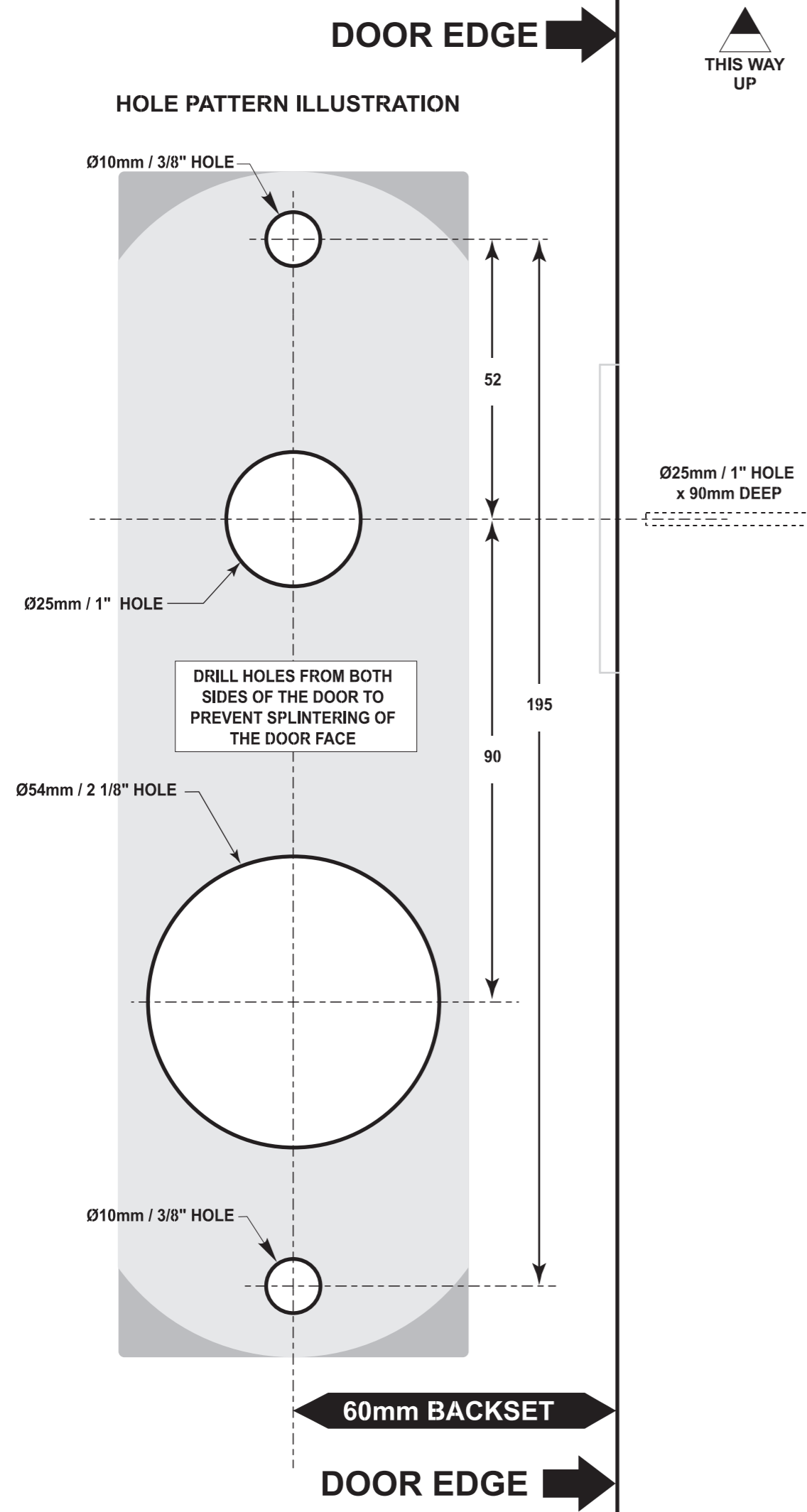
Check the required handing of the furniture to the door, i.e. left or right hand. The furniture should always operate downwards and spring return up.

To change the handing of the external furniture plate, firstly remove the stop plate screw and stop plate, rotate furniture over 180° (half turn upwards) to handing required, replace stop plate and screw.

Prior to assembling to door, check that furniture operates correctly.

**NOTE: Both handles and knobs need to have the correct handing set.**





**4 HANDING INTERNAL FURNITURE**

- To set the handing of the internal furniture:
  - Fully loosen the screw marked 'HANDING SCREW'.
  - Rotate handle or knob over 180° (half turn upwards) to required position.
  - Re-tighten 'HANDING SCREW'.
- Check that furniture operates correctly.

**5 FITTING INTERNAL FURNITURE**

- Place internal furniture plate into **PassageMode** by turning the snib clockwise to a near horizontal position (the indicator will show green).
- Position the internal furniture plate to the inside of the door with spindle locating into square latch hole as shown.

**6 FITTING EXTERNAL FURNITURE**

- With the key inserted in the external furniture plate, rotate the key clockwise to passage mode as shown.
- Assemble to door and engage with internal furniture plate. The internal and external cylinder drivers should locate correctly.
- Check operation of lockset by rotating key in exterior furniture plate, interior snib should operate.

**7 SECURING FURNITURE**

- Screw furniture plates together using 2 x 50mm screws.
- Check all mechanical functions operate correctly and check that the door and doorframe have a recommended door gap of 3mm.
- Assemble screw caps as shown.

**8 FITTING STRIKE**

- Important: When establishing the position of the strike, ensure that the Auxiliary Bolt is depressed when the door is closed.**

**9 FITTING STRIKE**

- Partially close door and mark position of latch bolt, mark and mortice door jamb to suit Strike Box and Strike. Drill Ø2.5 pilot holes for Strike Box and Strike screws.
- Insert Strike Box and secure with 44mm screw.
- Place Strike in position and secure with 2 x 20mm screws.
- Check final operation of lock, latch and strike.