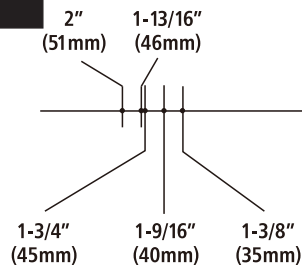


Drill 1"(25mm) hole at center of door edge.

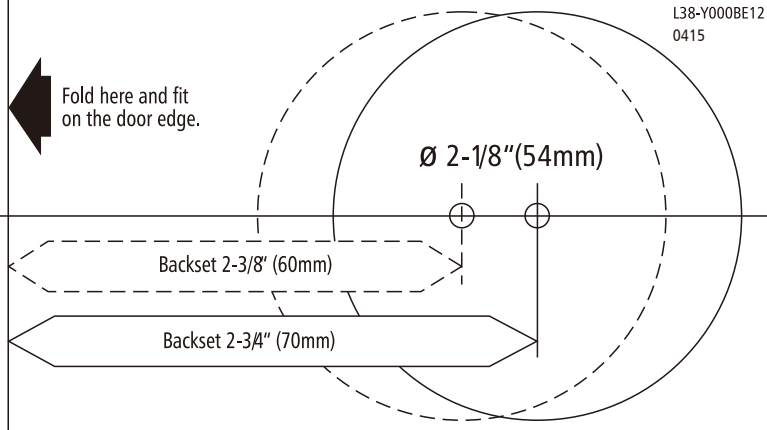
The following requirements should be observed to maintain the finish of your lockset.

- A. Do not install locks before doors are painted.
- B. To avoid oxidation, refrain from using cleansers or acid chemicals to polish or be in contact with locks.
- C. Refrain from using heavy or sharp-edged objects to scrub locks.

NOTE: FOR DOOR THICKNESS 35-51mm



Fold here and fit on the door edge.

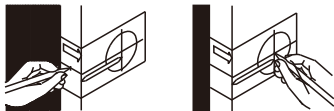


INSTRUCTIONS FOR INSTALLING SYMMETRY LEVER OF LOCKSET

1

MARK DOOR

Mark door edge approximately 36"(914mm) from floor. Fold template along fold line. Place center of template on marked position. Mark center hole on template to door face; for 2-3/8"(60mm) or 2-3/4"(70mm) backset, mark center hole on template to door edge.



2

DRILL HOLES

Drill 2-1/8"(54mm) hole through door face. It is recommended that the hole should be drilled from both sides to prevent splitting. Drill 1"(25mm) hole in center of door edge.



3



INSTALL LATCH

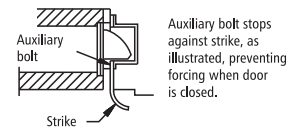
Insert latch in hole keeping latch parallel to door face. Mark outline of latch. Chisel marked area to a depth of approximately 1/8"(3mm) or until latch face is flush with door edge. Insert latch and tighten screws.

4

INSTALL STRIKE

Insert end of template against flat of latch bolt, close door against stop. Mark template from edge of jamb and locate strike opening. Move 1/4"(6.5mm) for plainlatch and 3/8"(9.5mm) for deadlatch towards door stop to locate center line for screws and 1"(25mm) hole. Drill 1"(25mm) hole x 1/2"(12.5mm) deep minimum in door jamb on center line of screws. Align screw holes on strike with center line on jamb. Mark outline of strike and chisel 1/16"(1.5mm) deep. Install strike and tighten screws.

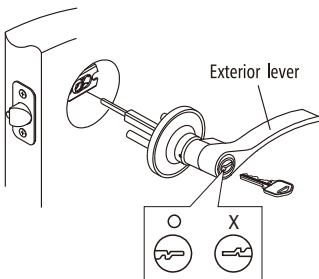
Note: If required bend Adjustable Tang on strike to eliminate loose fit between door and door stop.



5

INSTALL EXTERIOR LEVER

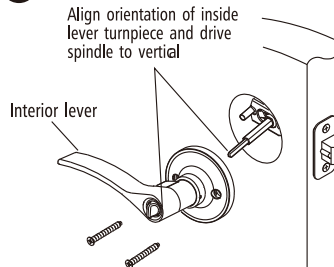
a.) Press exterior lever against exterior surface of the door making certain the stems are positioned horizontally so they go through holes in the latch case. Note: the exterior lever has no visible screws. If the door lock has a key hole, b.) For leverset, make sure that the key hole is in a horizontal position and the "key teeth" are facing the lever.



6

INSTALL INTERIOR LEVER

Install interior lever and rose by placing on spindle and aligning screw holes with stems. Push flush against the screws and make sure levers are in horizontal position. Tighten screw near the door edge first, then tighten the other side until lockset is firm. Note: To have the proper leveling of lock levers and to avoid sagging after installation, it is suggested to check lever orientation, both exterior and interior, to your preference before mounting screws are applied and securely tightened onto interior rose.



BEFORE PROCEEDING:

A. Make sure backset of lock is same as backset of your door. If an adjustable latch is to be used please adjust the backset to fit your door as shown in step 6.

B. Make sure handing of lock (LH or RH) fits your door. If not, adjust handing of lock as shown in steps 8 and 9.

C. Please read these instructions completely before attempting to install lock.

7

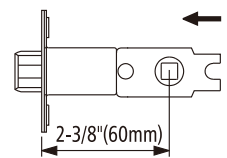
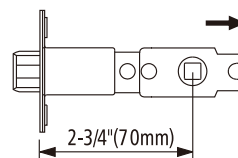
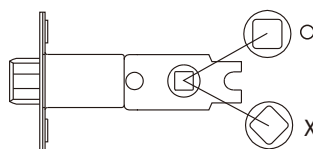
ADJUSTABLE LATCH FOR 2-3/8"(60mm) AND 2-3/4"(70mm) BACKSET

A. Latch is preset at factory for 2-3/8"(60mm) backset.

Caution: Be sure the latch cam is upright before making any backset adjustment.

B. To convert latch to 2-3/4"(70mm) backset, pull the rear part until 2-3/4"(70mm) is completely shown in indicator.

C. To convert latch back to 2-3/8"(60mm) backset, push the rear part until 2-3/8"(60mm) is completely shown in indicator.



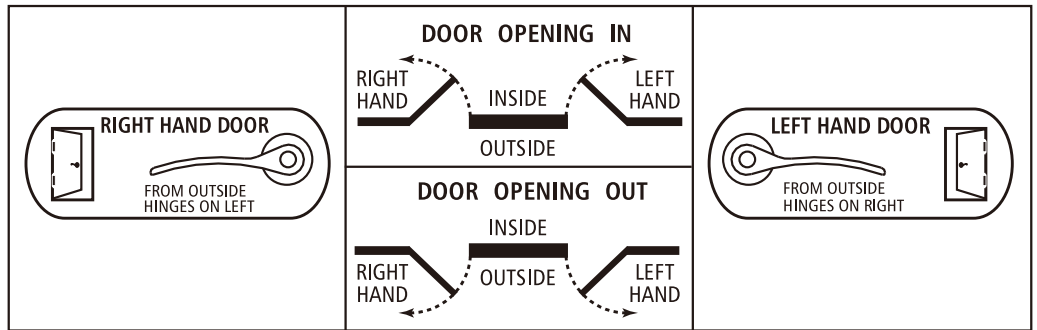
ASSA ABLOY

ASSA ABLOY Australia Pty Limited
235 Huntingdale Road
Oakleigh Victoria 3166
ABN 90 086 451 907 ©2015

Visit us at www.lockweb.com.au
®Registered Trademark of ASSA ABLOY Australia Pty Limited



8



HANDING REFERENCE GUIDE

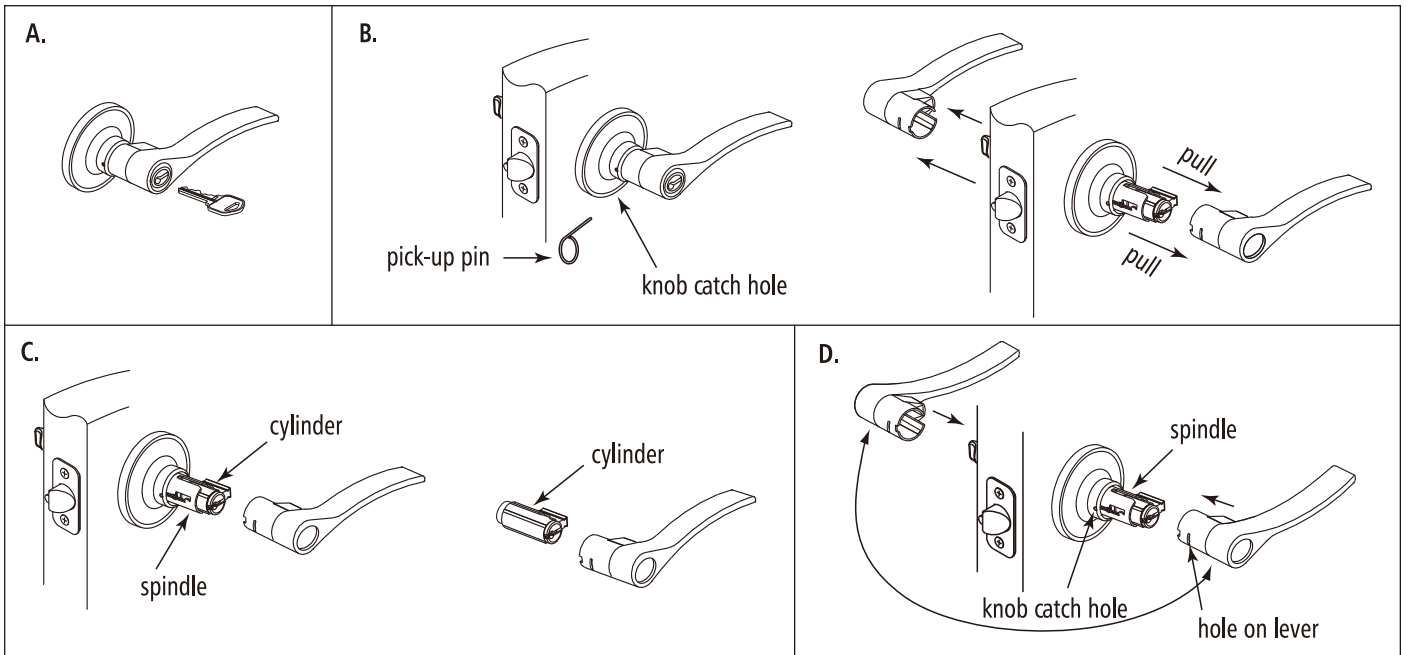
Facing door from the outside:

- A. Door is a left hand door if hinges are installed on your right hand.
- B. Door is a right hand door if hinges are installed on your left hand.

9

CHANGING LEVER HANDING

- A. Insert key to unlock outside lever. Rotate key to horizontal position and withdraw.
- B. Insert pick-up pin into knob catch hole on the outside rose and pull outside lever off spindle. Repeat the same on the inside to remove inside lever. (noting pick-up pin may need to be removed from knob catch hole as you pull lever off)
- C. If cylinder is also removed from spindle, please insert it back into the spindle to the end to be secure in place.
- D. Swap levers. Insert lever over to spindle, align punched hole on the lever shank with knob catch hole on the rose and press until secure and full engagement between lever and spindle is reached.



ASSA ABLOY

ASSA ABLOY Australia Pty Limited
235 Huntingdale Road
Oakleigh Victoria 3166
ABN 90 086 451 907 ©2015

Visit us at www.lockweb.com.au
®Registered Trademark of ASSA ABLOY Australia Pty Limited

