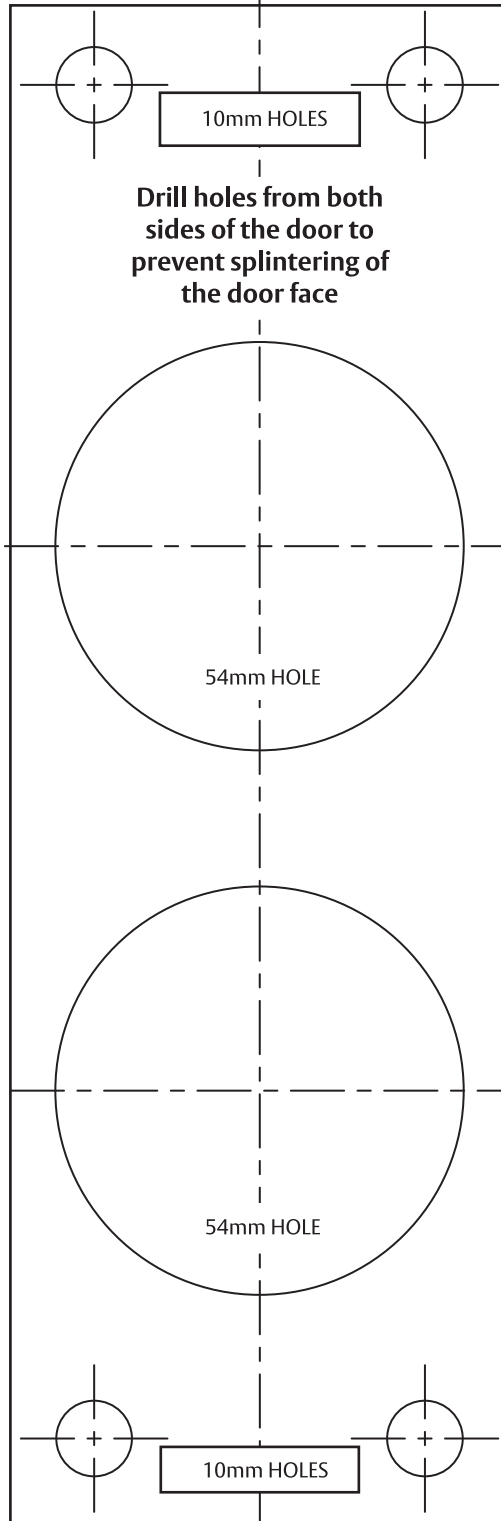




# Velocity® Entrance Lockset Installation Template

60mm BACKSET



FOLD HERE TO ALIGN WITH DOOR EDGE

Mark Door Edge Centre for drilling 25mm Latch Hole



Suits 35 - 45mm thick doors

45mm

VELO-321 27 0217





# Velocity® Entrance Lockset Installation Template

**60mm BACKSET**

**THIS WAY  
UP**

**FOLD HERE TO ALIGN WITH DOOR EDGE**

**Drill holes from both  
sides of the door to  
prevent splintering of  
the door face**

10mm HOLES

54mm HOLE

54mm HOLE

10mm HOLES

45mm  
**Mark Door Edge Centre  
for drilling 25mm  
Latch Hole**

**Suits 35 - 45mm  
thick doors**

