

# Connecting Bar Length Template

**IMPORTANT**  
Connecting bar to protrude 20mm past door face

TEAR OFF

FOLD LINE

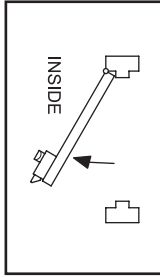
along this LINE

MARK connecting bar

1. Select CLOCKWISE or ANTI-CLOCKWISE template to suit door opening direction.

2. Place template on inside door face at required height from floor with LINE A positioned on

3. Mark and drill holes as specified on template.



## Clockwise Opening Door Template

USE OTHER SIDE OF TEMPLATE FOR ANTI-CLOCKWISE DOOR

DRILL CYLINDER HOLE FROM BOTH SIDES OF DOOR TO PREVENT SPLINTERING OF DOOR FACE

DRILL Dia 32mm CYLINDER HOLE

60 mm BACKSET

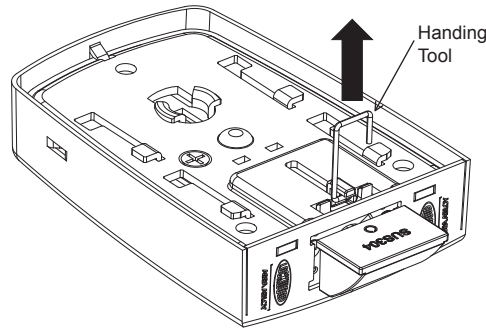
THIS WAY UP

TEAR OFF

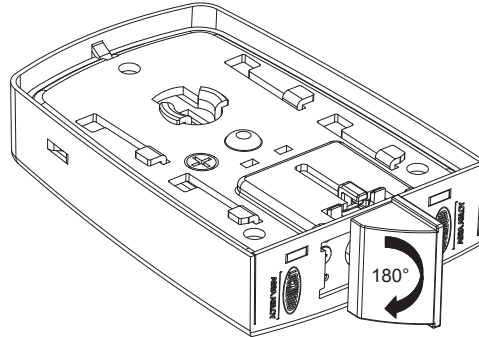
DRILL HOLES Dia 3mm x 25mm Deep

LINE A

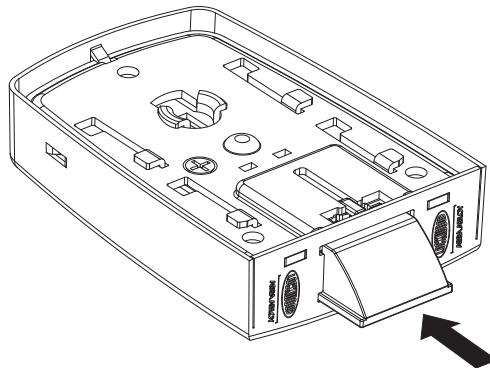
# 5. Handing Instructions



Using a small flat head screwdriver, or the handing tool provided, lift the handing tab up. The bolt will then pop out allowing for re-handing.



Rotate the bolt head to reverse the direction.  
Note: bolt will only rotate in one direction.



Push the bolt back in.  
The lock is now ready to be installed.

Part No. 507-221 0615

**ASSA ABLOY**

ASSA ABLOY Australia Pty Limited  
235 Huntingdale Rd, Oakleigh, VIC 3166  
ABN 90 086 451 907 ©2015

The global leader in door opening solutions

