

**HAND OF LOCK**

**HAND OF DOOR ACCORDING TO ENGLISH PRACTICE**

RIGHT - HAND DOOR		LEFT - HAND DOOR	
<b>OUTSIDE DOOR OPENING IN</b>	<b>OUTSIDE DOOR OPENING OUT</b>	<b>OUTSIDE DOOR OPENING IN</b>	<b>OUTSIDE DOOR OPENING OUT</b>

- Determine hand of lock required from above hand of door chart. Turnknob mounts on the internal side of the door

**1 SETTING LOCK STATUS**

**SNIB CAM**

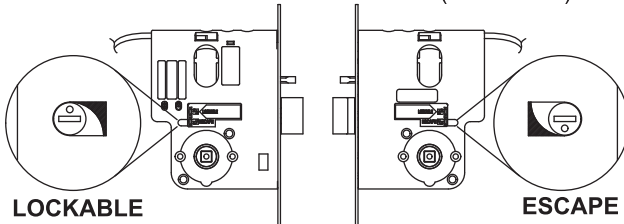
Rotation of the Snib Cam hands the lock. Use a small flat screwdriver to rotate cam if required.

**Vestibule Locks**

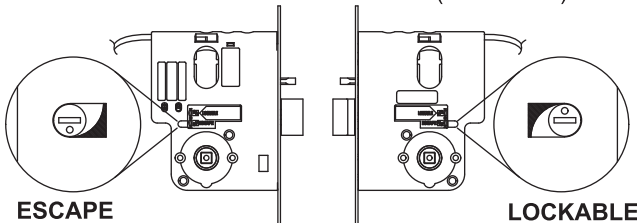
With single action Escape feature.

DOT to be UP on Lockable side and DOWN on the Escape side when case is upright.

**VESTIBULE R/HAND DOOR (FAIL SAFE)**

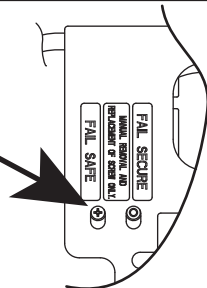


**VESTIBULE L/HAND DOOR (FAIL SAFE)**

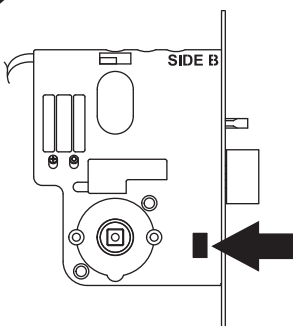


**2 SELECTING FAIL SAFE**

- The lock is factory set to FAIL SAFE. Ensure that the screw highlighted is in the FAIL SAFE position.



**3 HUB AND GROUP SELECTION**

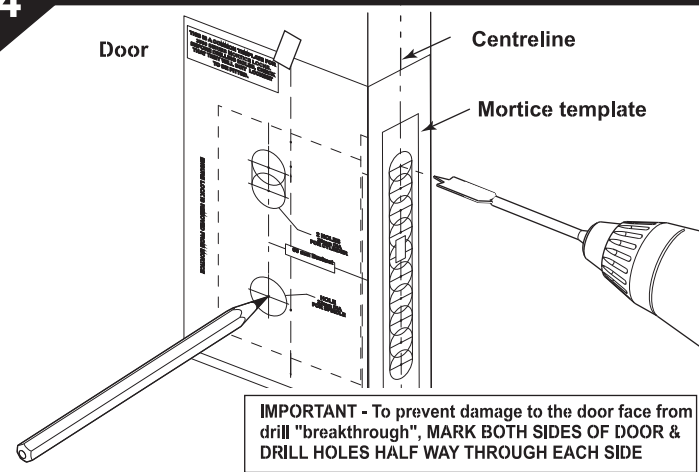


**DIP SETTINGS**

**SWITCH 1 - GROUP SELECTION**  
OFF - GROUP 1 (Default setting)

**SWITCH 2 - INSIDE HUB SELECTION**  
OFF - SIDE A is on the inside of door  
ON - SIDE B is on the inside of door

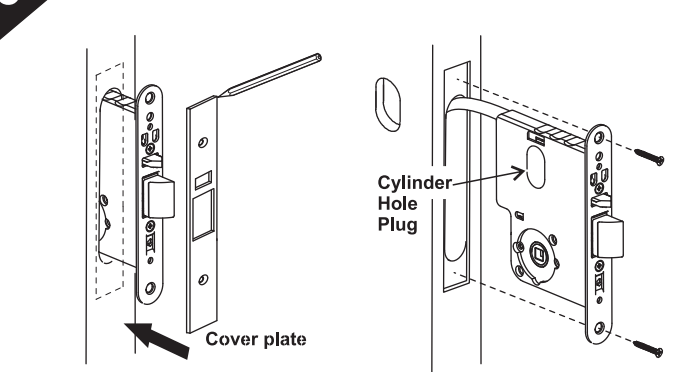
**4 DOOR PREPARATION**



**IMPORTANT - To prevent damage to the door face from drill "breakthrough", MARK BOTH SIDES OF DOOR & DRILL HOLES HALF WAY THROUGH EACH SIDE**

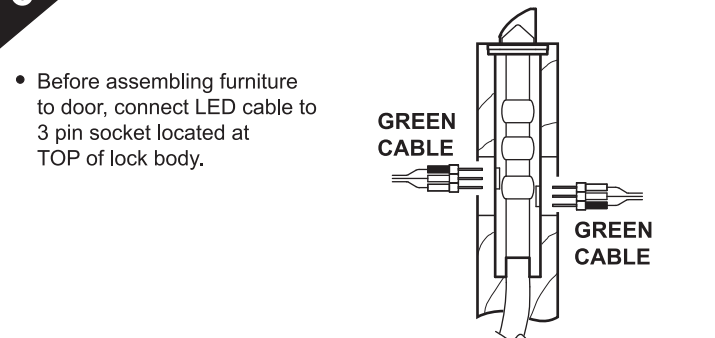
- Establish height that lockset will be mounted on door and mark centreline of door thickness on door edge.
- Place Mortise Template on door and align centreline on template with centreline on door. Secure with sticky tape.
- Mark and drill mortise to suit mortise lock depth (130mm).
- Ease out mortise cavity where necessary. Clean out mortise before inserting lock.
- Allow space for extra cable length behind lock for ease of maintenance.

**5 INSTALL LOCKSET**



- Insert lock in mortise with Cover Plate on and scribe around Cover Plate for size of recess, ensuring that no foreign matter finds its way into the lock mechanism.
- Remove lock from mortise and chisel recess 4mm deep to receive both front and cover plate. Cover plate must be flush with edge of door.
- Ensure lock is removed from mortise cavity. Fold template along backset fold line. Align EDGE A with bottom of cover plate recess. Establish holes required to suit lock function, mark hole centres accurately, drill and clean holes.
- Drill furniture holes as required
- Using a small flat screwdriver, lever out Cylinder Hole Plug where fitted.
- Pass 2 metre door cable through hole in door.
- Connect power plug from lock to power supply socket and place lock in mortise.

**6 CONNECTING LED CABLES**



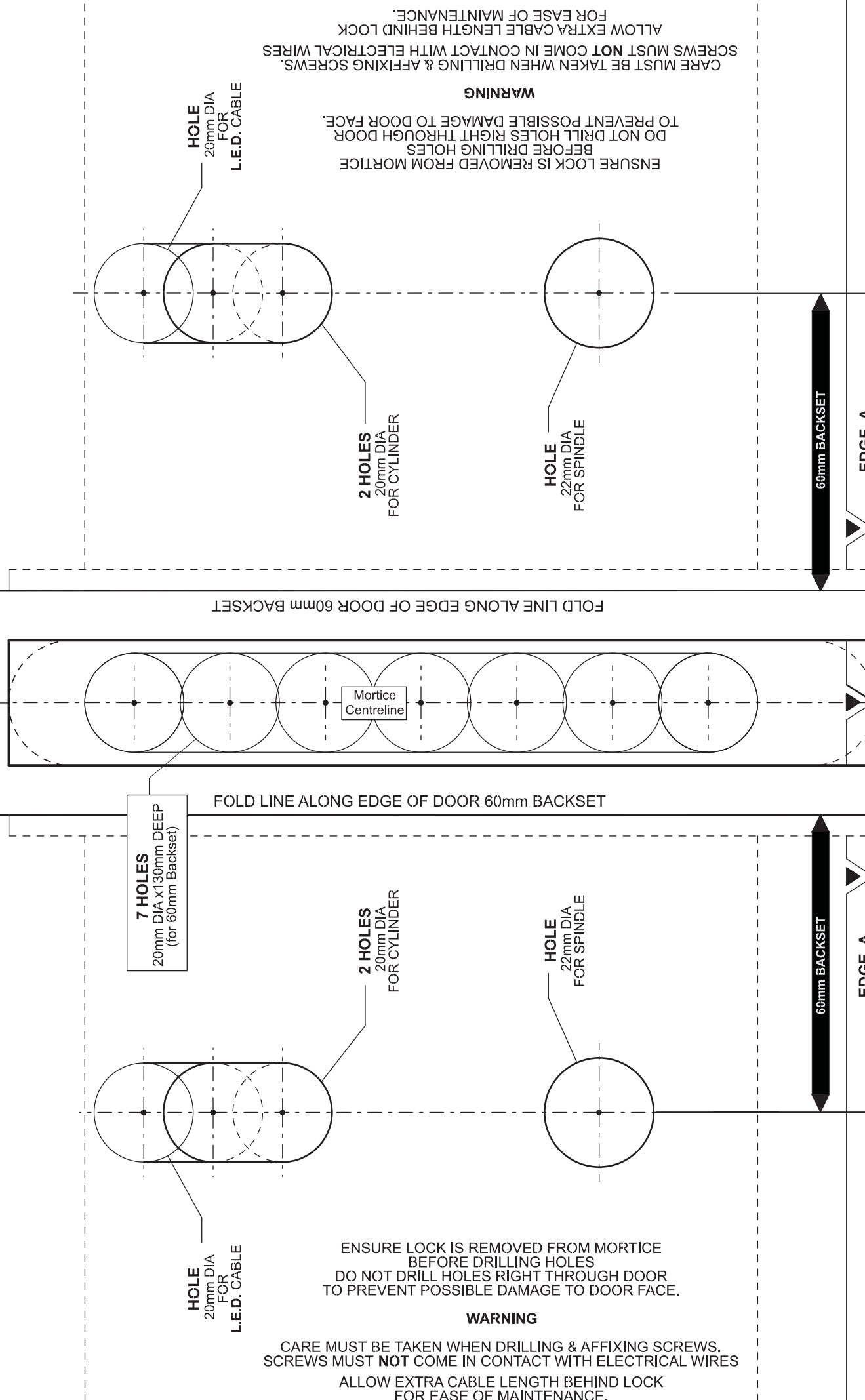
- Before assembling furniture to door, connect LED cable to 3 pin socket located at TOP of lock body.

TEAR HERE

THIS IS A COMMON TEMPLATE FOR 3570 SERIES ELECTRIC MORTICE LOCKS. BEFORE DRILLING HOLES, CHECK THAT THEY WILL SUIT LOCKSET TO BE FITTED.

TEAR HERE

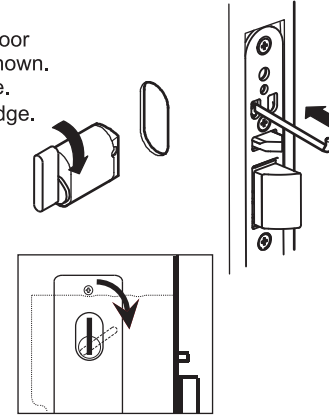
THIS IS A COMMON TEMPLATE FOR 3570 SERIES ELECTRIC MORTICE LOCKS. BEFORE DRILLING HOLES, CHECK THAT THEY WILL SUIT LOCKSET TO BE FITTED.



7

ASSEMBLE TURNKNOB

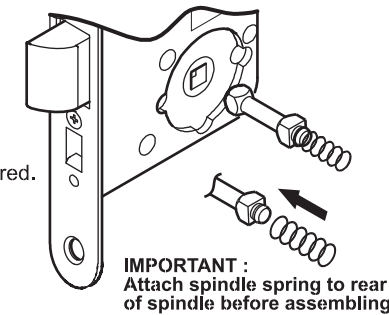
- Insert Turnknob through hole in door and secure with retainer pin as shown. Ensure pin is flush with front plate.
- Turnknob rotates towards door edge.
- Secure lock to door with 2 woodscrews supplied.
- Install cover plate and secure with 2 M4 screws to lock body.



8

INSTALL SPINDLES

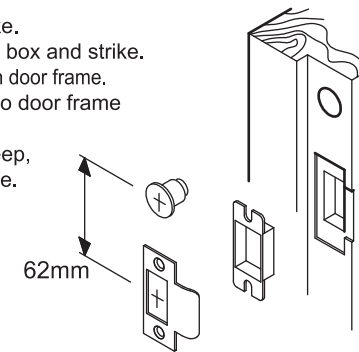
- All locks are supplied with spindles.
- Insert spindle(s) into lock, as required.
- Assemble furniture as required.
- Ensure furniture is not over-tightened.



9

MOUNTING STRIKE & MAGNET

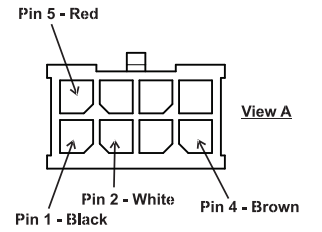
- Mark out door frame for strike.
- Mortise door frame for strike box and strike.
- Bolt recess to be 15mm deep in door frame.
- Screw strike and strike box to door frame with 2 screws supplied.
- Drill 19mm DIA hole x 40 Deep, 62mm above strike centreline.
- Insert magnet in hole.



ELECTRICAL SPECIFICATIONS

WIRE ASSIGNMENTS

Pin	Colour	Description
5	RED	+10-28Vdc
1	BLACK	0Vdc
2	WHITE	CAN_H
4	BROWN	CAN_L

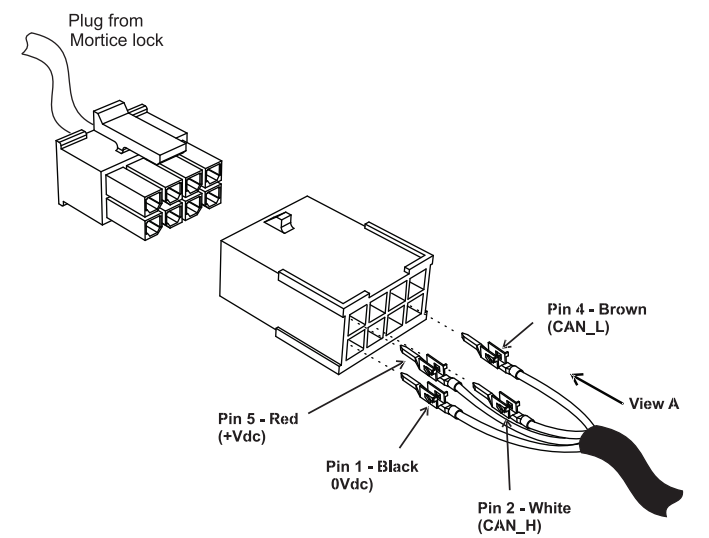


POWER SUPPLY:

10-28 Vdc REGULATED

CURRENT CONSUMPTION (PEAK/HOLD): (per lockset)

500/80mA@12Vdc  
275/80mA@24Vdc



HI-O TECHNOLOGY™



N19329 / Z1217

TEAR HERE