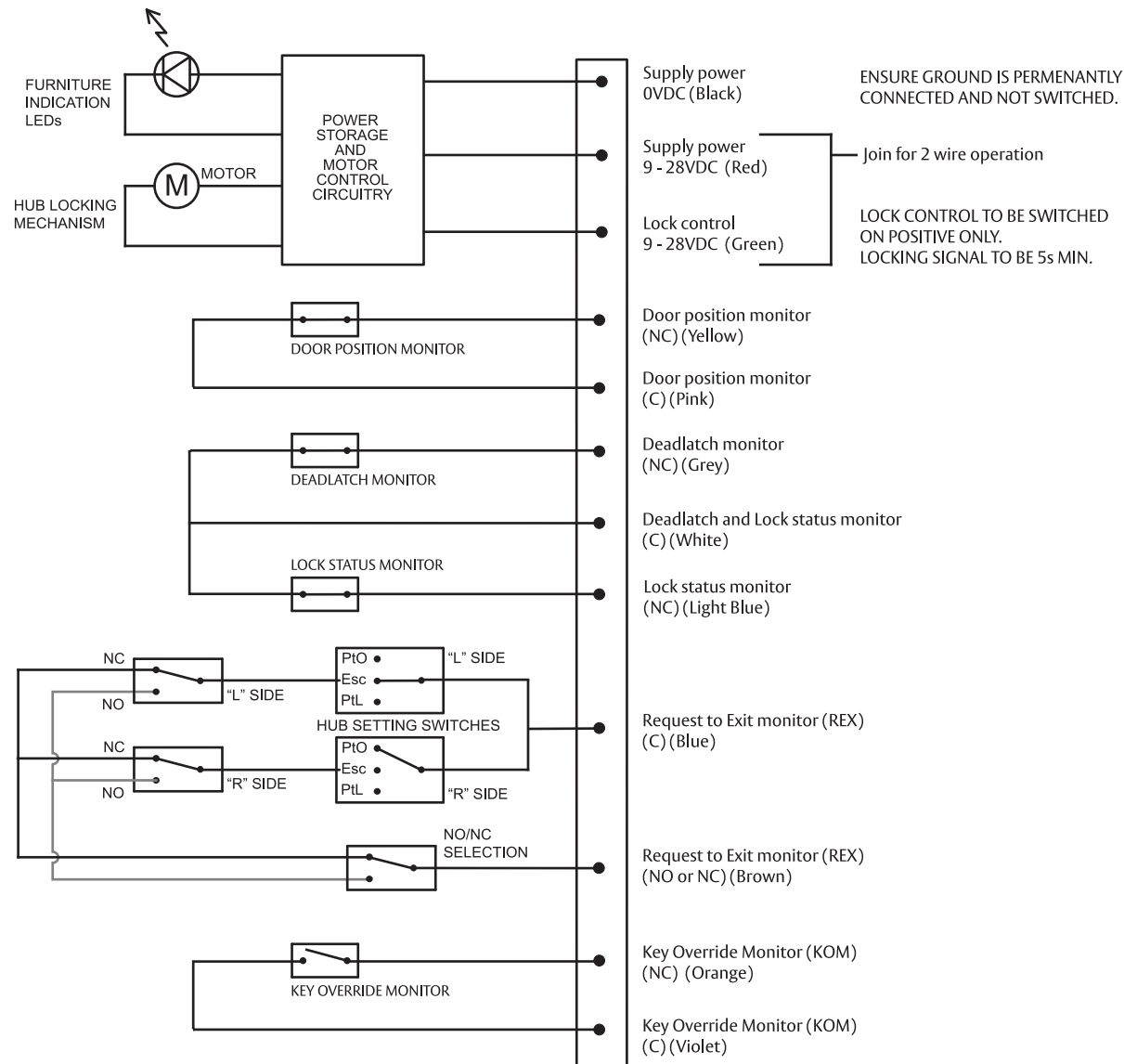


WIRING SCHEMATIC

Schematic shows RH close and locked door with handle and key in rest state.



SUPPLY POWER ~ 300mA MAX (5 seconds), 20mA continuous if LEDs are activated

- Black 0VDC
- Red 9 - 28VDC
- Green 3 wire lock control (9 - 28VDC)

DOOR POSITION MONITOR ~ 50mA @ 30VDC

- Yellow NC
- Pink COM

DEADLATCH AND LOCK STATUS MONITORS ~ 50mA @ 30VDC

- Grey Deadlatch monitor (NC)
- White Deadlatch and Lock status (COM)
- Light Blue Lock status monitor (NC)

HUB REQUEST TO EXIT MONITOR (REX) ~ 50mA @ 30VDC

- Blue COM
- Brown NO or NC

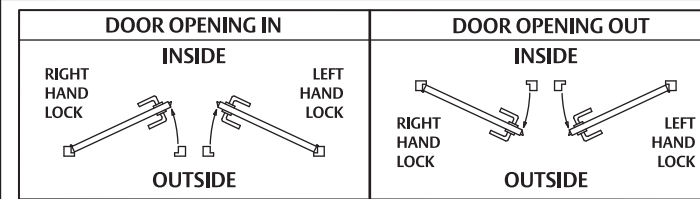
KEY OVER-RIDE MONITOR (KOM) ~ 50mA @ 30VDC

- Orange NC
- Violet COM



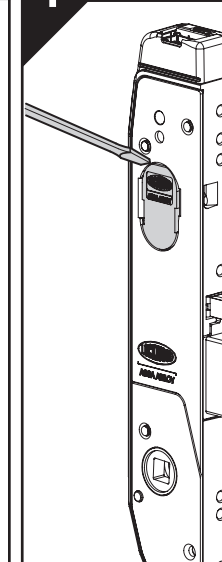
3782EL SERIES MORTICE LOCK
MOUNTING INSTRUCTIONS FOR ALUMINIUM DOORS

HAND OF DOOR ACCORDING TO ENGLISH PRACTICE



- Determine hand of lock required from chart above.
- The lock is supplied with both hubs set to escape.
- The REX monitor is supplied in NC state.
- The furniture indication LEDs are active.
- The lock is recommended to be used in 3 wire operation.
- Join red and green wires for 2 wire operation.
- 2 wire PTO **must not** be used.

LOCK PREPARATION

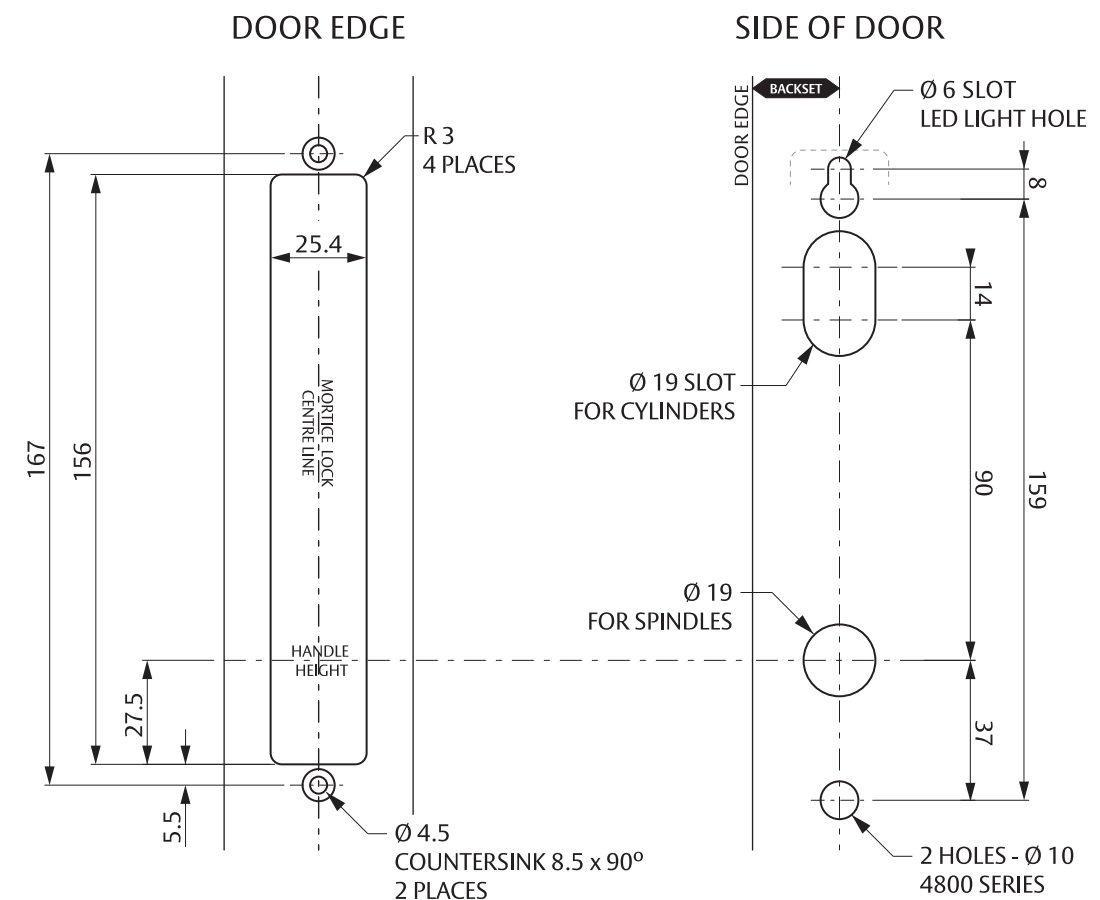


- Where cylinders are required, remove the cylinder plugs from the lock using a small screwdriver.
- During installation, the lock may need temporary power to de-activate LEDs or activate hub setting.
- Power can be supplied through either 5V USB (connected to PC, power bank or mobile charger) or main connector (connected to 9 or 12V battery).

2

DOOR PREPARATION

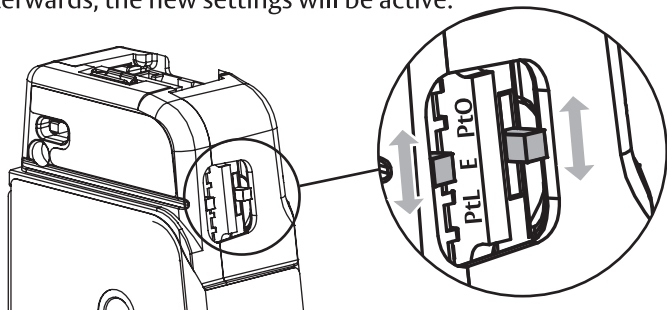
- Establish height that lock will be on door.
- Ensure only holes required by handing, function and furniture are cut into door.
- Cut face plate window to the dimensions shown. Drill and countersink fixing holes as shown.
- Determine what lever, cylinder or LED holes are required.
- Drill required furniture holes from both sides of door.
- When adding LED slot to existing installations, care should be taken to ensure that slot does not extend beyond furniture plates.



3

HUB LOCKING SETTING

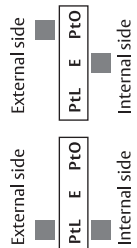
- Adjust the slide switches at the rear of the lock to select locking function.
 - PtO ~ Power to Open or Fail Secure
 - E ~ Escape or Free Egress
 - PtL ~ Power to Lock or Fail Safe
- Each hub is settable separately and lock function will only change when power is applied to the lock.
- For hub setting changes to take effect, the lock has to be completely powered down (approx. 2 minutes without power). Afterwards, the new settings will be active.



Hub setting in 2 or 3 wire operation

For free egress lock, set external handle to PtO or PtL as required, inside handle to E.

For double side access control, set both handles to PtO or PtL as required for common locking / unlocking of both hubs.



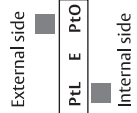
Additional setting in 3 wire operation only

For reader in / out applications, set external handle to PtO and internal handle to PtL.

Locking signal must be PtL configuration.

Powered operation will lock / unlock both handles.

In power failure, external side will fail securely while internal side will fail safe to allow free egress.



4

FURNITURE LED ACTIVATION

- The lock is supplied with the furniture LEDs activated.
- To activate or de-activate:
 - Supply the lock with power through USB port or main connector.
 - Using a cylinder retainer pin, press and hold the LED and mode selection button for 3 seconds. The lock will enter setup mode and the LEDs will illuminate white.
 - Short press the button to select or deselect LED activation.
 - The LEDs will illuminate green for 1 second for LEDs activated.
 - The LEDs will illuminate red for 1 second for LEDs de-activated.
 - Press the button for 3 seconds to exit setup mode. The LEDs will no longer illuminate white and will begin to illuminate according to power supplied and lock setting.

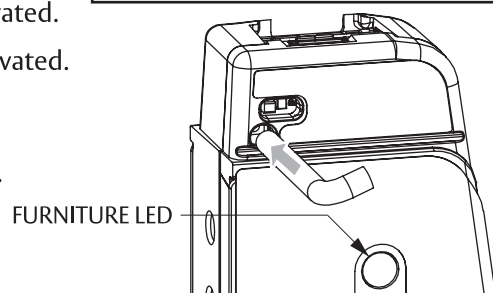
LED operation in various power supply modes

3 wire control - red and green LEDs are always illuminated when selected.

2 wire control PtL - red and green LEDs are always illuminated when selected. Green LED shines for 10 seconds max.

2 wire PTO **must not** be used.

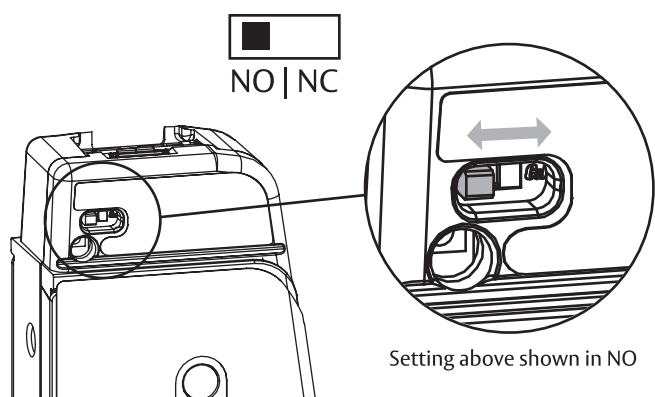
Power failure - LEDs shine for 10 seconds.



5

REX MONITORING SELECTION

- Adjust the slide switch on L side of lock (as marked on lock body) to select Normally Open (NO) or Normally Closed (NC) operation of Request to Exit (REX) monitor.
- REX monitor only operates on escape side of lock.

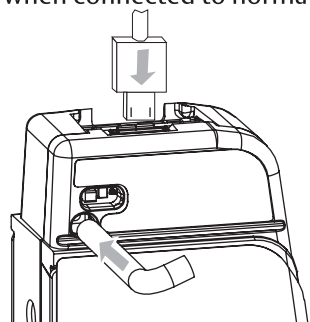


Setting above shown in NO

6

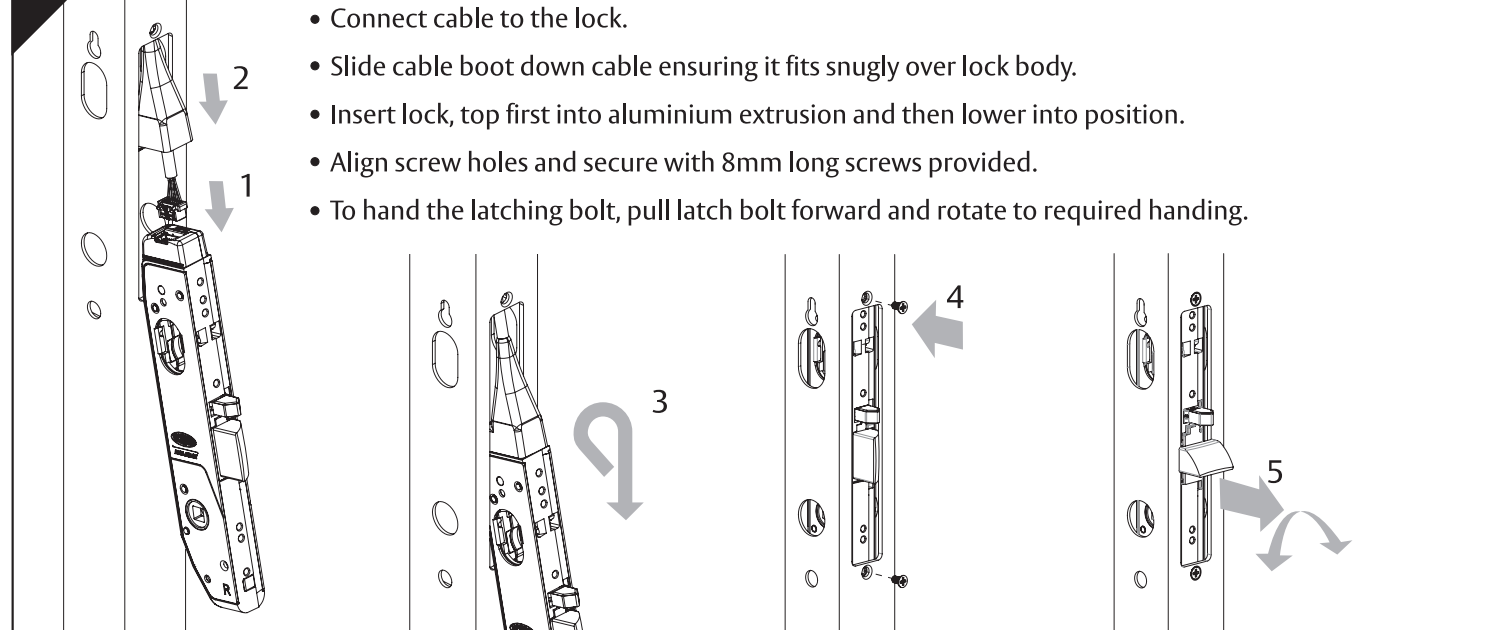
SETTING LOCK TO FAILED STATE VIA USB

- When a lock is required to be set to the failed state to secure a site before access control has been finalised.
- Power lock via micro USB connector.
- Using a cylinder retainer pin, press the LED and mode selection button.
- The lock will enter its failed state but return to normal operation when connected to normal operating voltage.



7

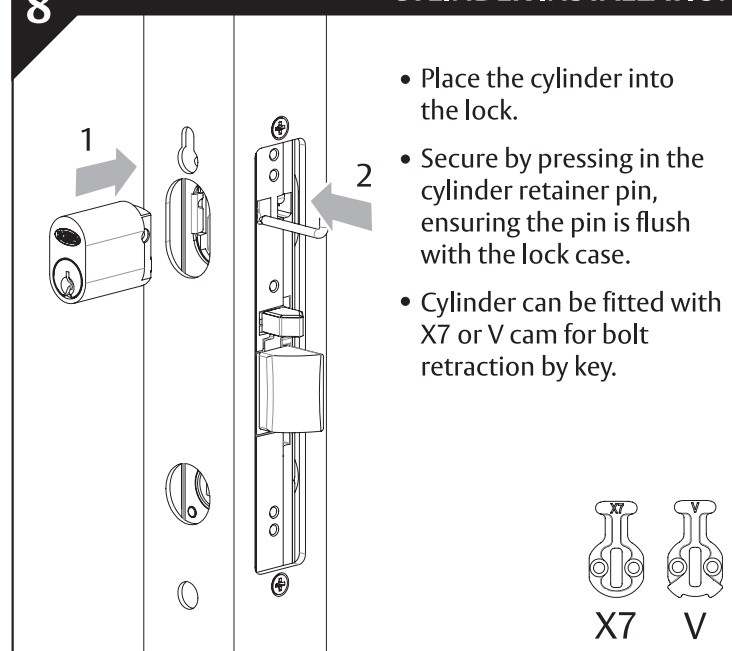
LOCK INSTALLATION



- Connect cable to the lock.
- Slide cable boot down cable ensuring it fits snugly over lock body.
- Insert lock, top first into aluminium extrusion and then lower into position.
- Align screw holes and secure with 8mm long screws provided.
- To hand the latching bolt, pull latch bolt forward and rotate to required handing.

8

CYLINDER INSTALLATION

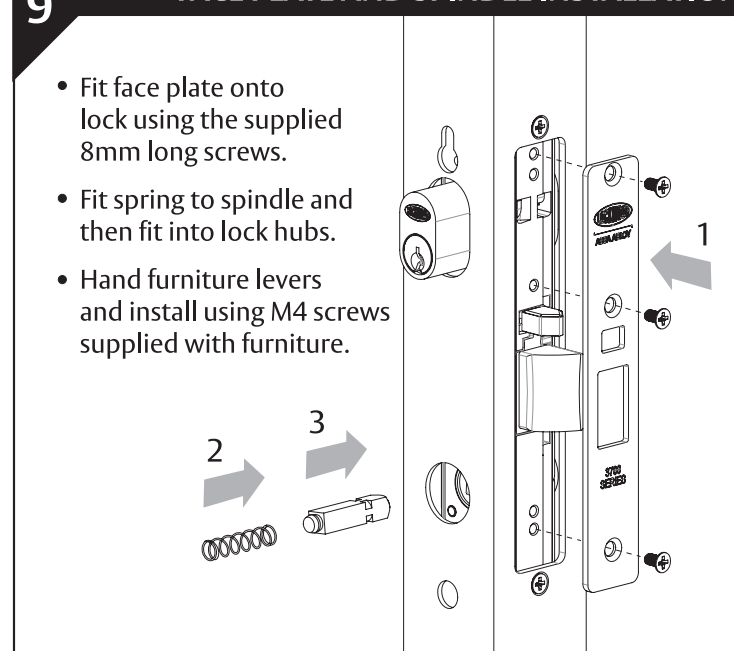


- Place the cylinder into the lock.
- Secure by pressing in the cylinder retainer pin, ensuring the pin is flush with the lock case.
- Cylinder can be fitted with X7 or V cam for bolt retraction by key.

X7 V

9

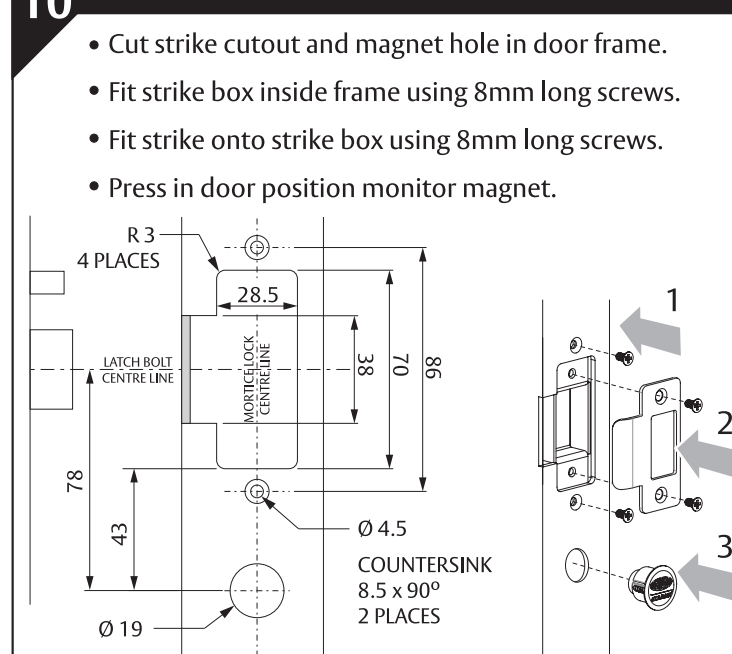
FACE PLATE AND SPINDLE INSTALLATION



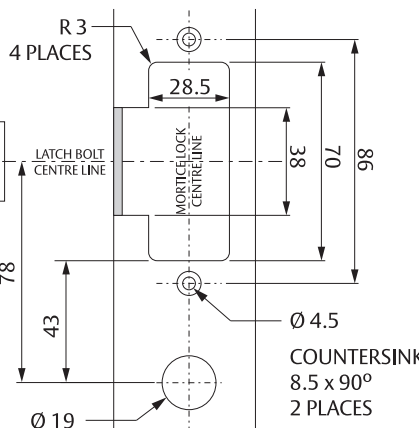
- Fit face plate onto lock using the supplied 8mm long screws.
- Fit spring to spindle and then fit into lock hubs.
- Hand furniture levers and install using M4 screws supplied with furniture.

10

STRIKE INSTALLATION

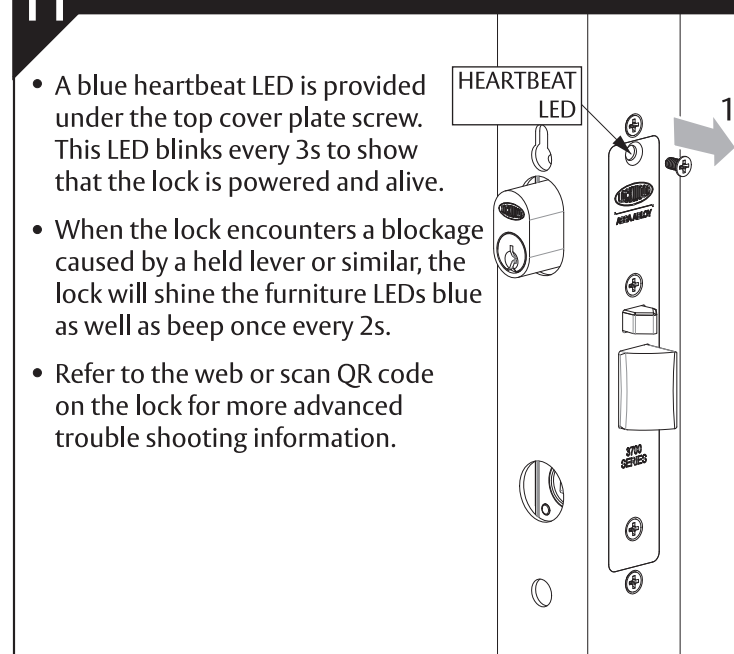


- Cut strike cutout and magnet hole in door frame.
- Fit strike box inside frame using 8mm long screws.
- Fit strike onto strike box using 8mm long screws.
- Press in door position monitor magnet.



11

LED AND AUDIBLE FEEDBACK



- A blue heartbeat LED is provided under the top cover plate screw. This LED blinks every 3s to show that the lock is powered and alive.
- When the lock encounters a blockage caused by a held lever or similar, the lock will shine the furniture LEDs blue as well as beep once every 2s.
- Refer to the web or scan QR code on the lock for more advanced troubleshooting information.