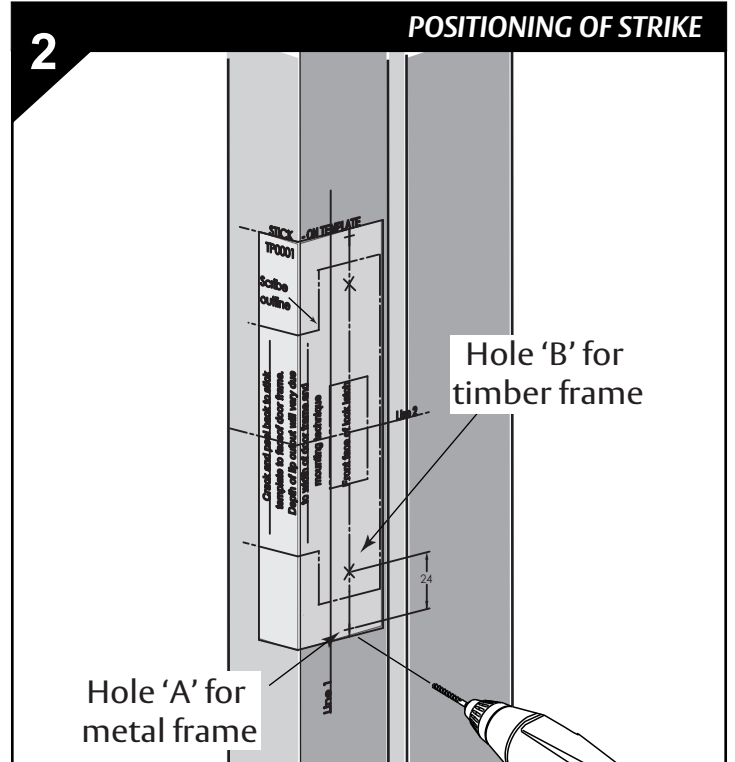
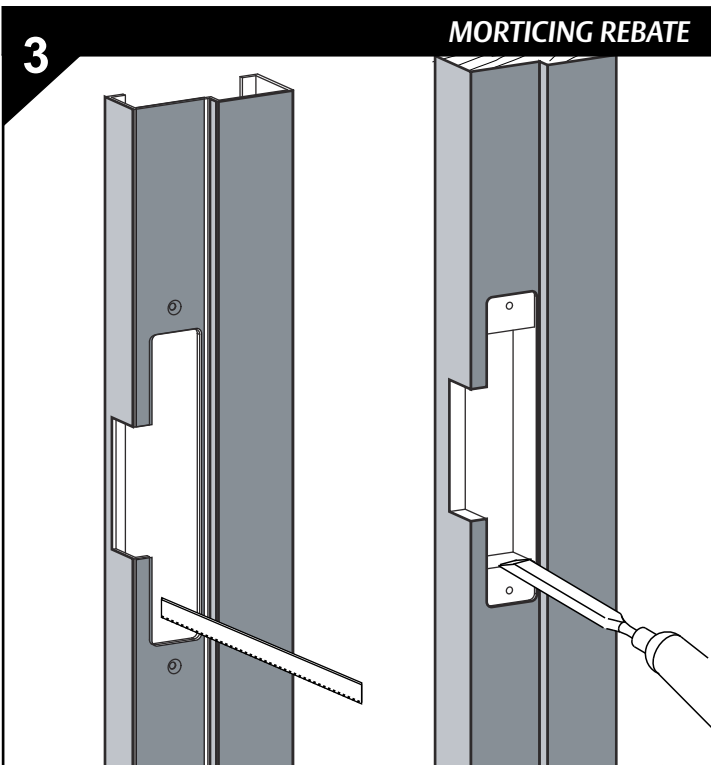


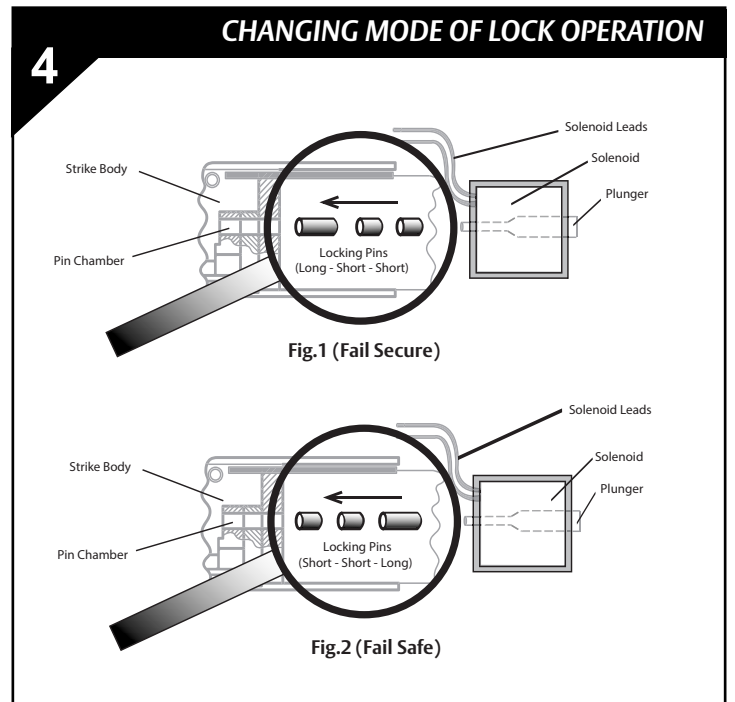
- To enable the Electric strike to be located in the door frame, first mark the position of the Door Latch front face on the door frame with the door in the closed position, ("X" mm).
- Mark where centre of latch meets door frame:
 - For new installations, mark frame where front of latch touches the door frame at the midpoint of the latch bolt.
 - For retrofit installations, remove existing strike plate and ensure the latch fits into and is centred in existing hole.



- Peel backing off adhesive template and centrally locate in the marked position, lining up both the mark for the door latch front face (Line 1) and the centre mark of the latch (Line 2).
- For the metal door drill two Ø5mm holes (A) 22mm above and below the "X" mark on the template, for a timber door drill two Ø3mm holes (B).
- Ensure secondary bolt is not within the strike cavity.



- Using the template as a guide, mortise out the door frame to the required size.
- Countersink holes in metal frame to accept screws.
- For wider framed doors, an Extension Lip may be required.



To change the electric strike's mode of lock operation, remove the back cover and the two screws securing the solenoid. Remove solenoid from strike housing, and invert the strike. This will release three locking pins from the strike and keeper chambers.

CAUTION! When removing solenoid, please be mindful to keep the plunger in the solenoid as it is not secured, and may be easily misplaced.

Re-insert the pins as shown in the diagrams for desired mode of lock operation (Fail Secure/PTO: See Fig 1; (Fail Safe/PTL: See Fig 2). Place solenoid back in strike housing, and secure with solenoid screws. Press strike back cover into position.

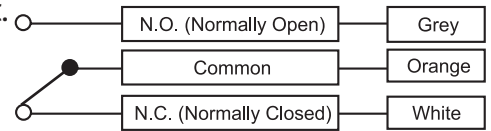
CAUTION! Incorrect supply voltage may cause damage not covered by warranty.

Please check supply voltage with a suitable meter to ensure it is within 10-13.8V DC.

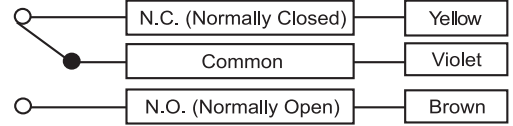
Current required is 250mA @ 12V DC

DO NOT OIL OR LUBRICATE.

**Solenoid Monitor Wiring:
Unpowered**



**Latch Monitor Wiring
Door Opened**



Solenoid Wiring

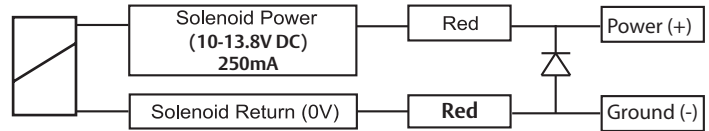
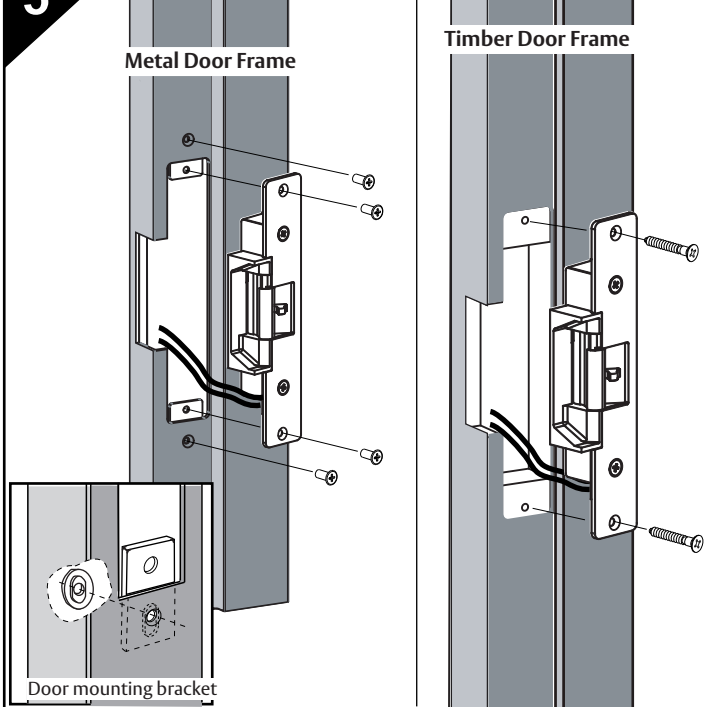


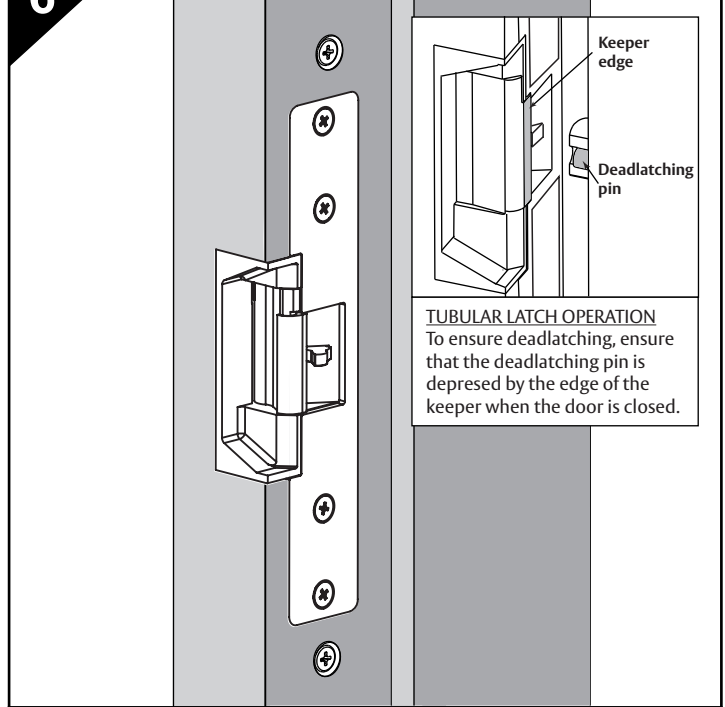
Fig. 3 - Electrical Schematic

5 ASSEMBLING STRIKE



- For metal door frames, fit door mounting brackets.
- Once door frame preparation is complete, temporarily fit strike into door frame to check for interference. Check that the door closes smoothly and that the latch extends fully past the strike keeper.
- When strike operates correctly with latch, remove strike from mortice and connect wiring.

6 CHECKING FUNCTION



- Refit strike and secure, making sure no wires are being crushed.
- Check both mechanical and electronic operation works correctly.

The installation of a Latch guard is recommended on outward opening external doors.

