

Items Supplied

- Keypad
- Wall Bracket
- 1m Cat 5e Cable
- Fixing Screws (x2)
- Terminal Resistor Blocks (x2)

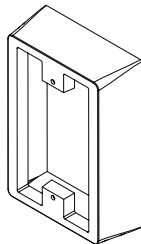
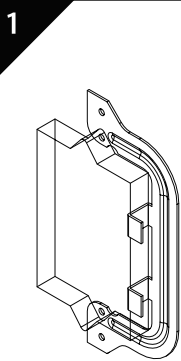
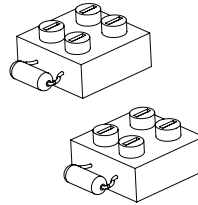
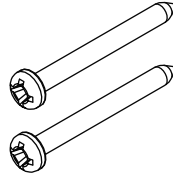
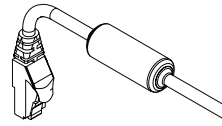
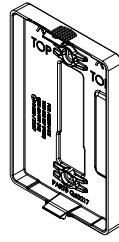
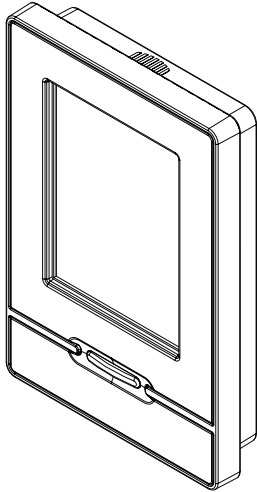
Tools Required

- Hobby Knife
- Small Screwdriver
- Phillips Screwdriver
- Long Nose Pliers
- Wire Strippers

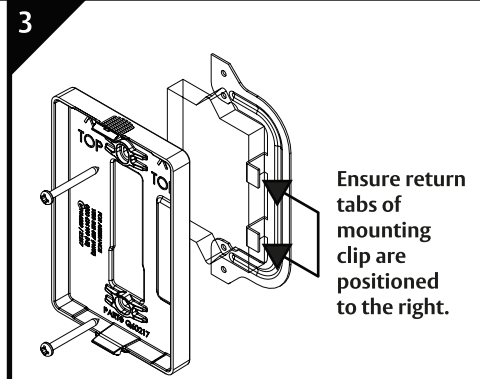
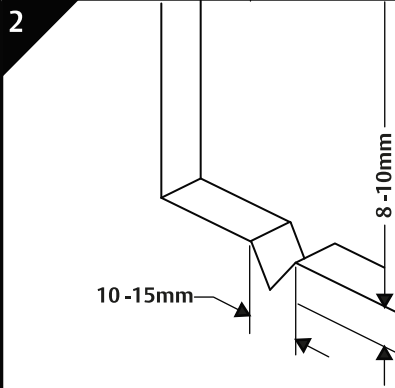
Serial Number Label

DATE: DD/MM/YY
NUMBER: 0123456789

IMPORTANT: Ensure the Serial Number is noted on the back of the Keypad User Guide. This will be used for the programming of the Key/Control System.



Alternatively if mounting to a brick wall an exposed bracket can be used.

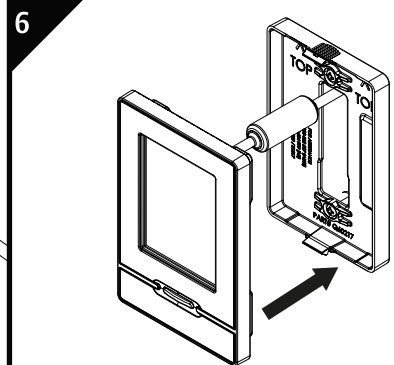
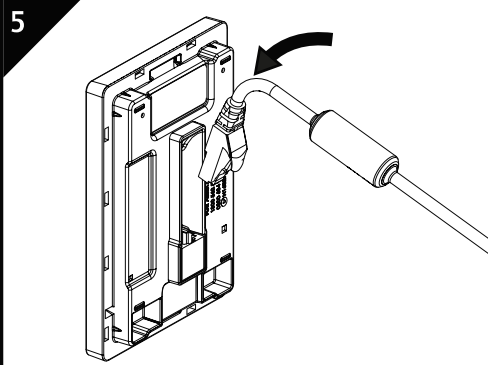
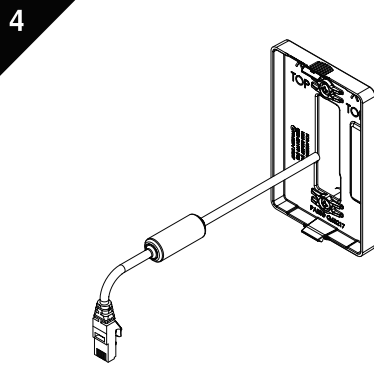


Ensure return tabs of mounting clip are positioned to the right.

Using standard mounting clip (or similar), mark out and produce cavity in wall.

Add notches at top and bottom of wall cavity to allow clearance for mounting screws. Do not oversize notches.

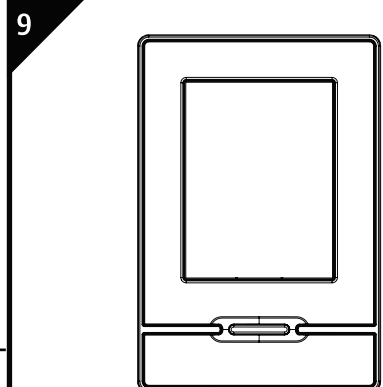
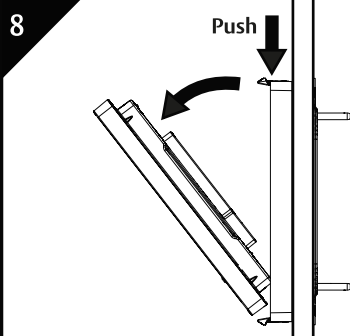
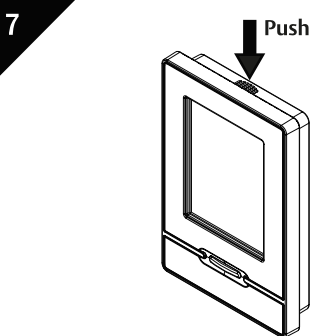
Secure the wall bracket in the correct orientation using the 2x mounting screws supplied. Do not over tighten.



Ferrite ring end of Cat 5e cable connects to the Keypad. Feed other end through opening in wall and connect to the network. Refer over page for power/network wiring.

Insert Cat 5e connector into the Keypad. Click into place.

To secure the Keypad push it gently into the wall bracket until it clicks into position.



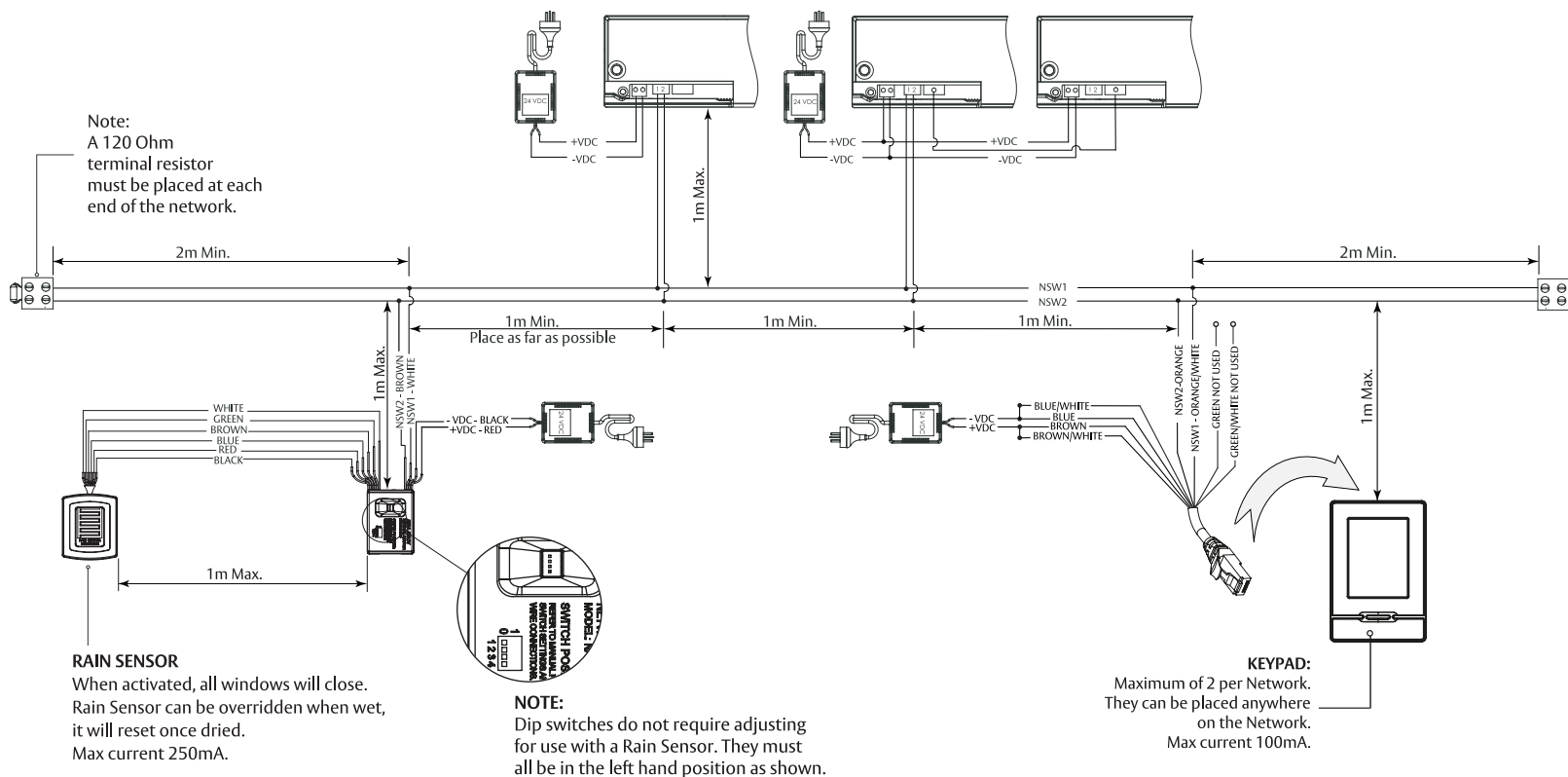
To remove Keypad from wall bracket. Push down at the top of the wall bracket.

Whilst pushing down on top of the wall bracket, pull the top of the Keypad out rotating it about the bottom clip.

Refer to Keypad User Guide for set-up instructions.

Keypad Circuit Diagram

TROUBLE SHOOT GUIDE



GENERAL NOTES:

1. Cat 6 Twisted Pair Network Cable recommended to be used.
2. A maximum of 30 devices per network.
3. Maximum network cable length 300m.
4. A maximum of 30 devices can be assigned to one network, each Actuator, and Network Adaptor counts as a device, eg. 28 Actuators and 2 Network Adaptors can be placed on one network.
5. A maximum of 4 Network Adaptors per network.
6. Place Switch as close as possible to the Network Adaptor.

KEY:

- NSW1 = Network Signal Wire 1.
- NSW2 = Network Signal Wire 2.
- NO = Normally Open contact.
- NC = Normally Closed contact.
- COM = Common contact.

CALIBRATION AND BASIC FUNCTION:

The system must calibrate before use. Power up the system, wait one minute, then press the open switch. The windows will open and close twice. Wait at least one minute before operating the system.

Note: If a window stops during calibration it means that it has safety stopped due to too much load. Press the close switch. Remove the obstruction. Then press the open switch to continue.

WALL SWITCH BASIC FUNCTION:

Press the open switch for at least 2 seconds to open the windows.

Press the close switch for at least 2 seconds to close the windows.

Press any switch for at least 2 seconds to stop the windows, if window is closing or opening.

TECHNICAL SPECIFICATION:

LENGTH (m)	WIRE Ø MIN	AWG	INPUT VOLTAGE	24V DC
12	0.7mm	22	MAXIMUM CURRENT	750mA Per Actuator
19	0.8mm	20	OPENING TIME	Approx 40 sec
29	1.0mm	18	OVERALL DIMENSIONS	308mm x 44mm x 32mm
47	1.3mm	16	OPERATING TEMPERATURE	0 - 50C
74	1.6mm	14	HUMIDITY	0% - 95%
119	2.0mm	12	NETWORK CABLE LENGTH	300m MAX

- **How many devices can I run on a 'network'?**
The 'network' can handle 30 devices. Each Actuator acts as one device, each Network Adaptor also acts as one device. The use of synchronisation of two Actuators only counts as one device. The slave Actuator is not connected to the Network
- **Can I use two operators on one window?**
Yes. The Synchronisation Loom (purchased separately) is required for two Actuators on one window. The slave Actuator is not connected to the Network.
- **Does the power have a polarity input?**
The system allows for the power loom to be inserted in either terminal. No Polarity input.
- **What is the largest sash size for one Actuator?**
We recommend that the maximum sash width of 900mm and maximum weight of 30kg for one Actuator. A maximum sash width of 1800mm for two Actuators. Please refer to the web-site for additional information.
- **Can I use more than one Rain Sensor?**
Yes. You can use up to four Rain Sensors on the one network.
- **Can the Rain Sensor control individual windows?**
No. The Rain Sensor will control all the windows on the network. This however can be achieved with a Keypad Network.
- **Will all the windows close when the Rain Sensors detect rain?**
Yes.
- **Will my windows re-open automatically once the rain has stopped?**
No. You will have to press the open button to re-open the windows after the rain has stopped. However, this automatic re-open function is available on a Keypad network.
- **Can you override a Rain Sensor that has closed the windows?**
Yes. However the Rain Sensor will not reactivate until it has dried and reset.
- **3rd Party Control System Connectivity**
"Smart Home" applications are NON-STANDARD and require particular features to operate with this system. Replace all switch connections with two relays. Follow basic function steps to activate and control the system. Ensure activation time is at least two seconds.

