

Induro™ 4-Point Mortice Lock

Palladium Furniture



ASSA ABLOY

Installation Instructions

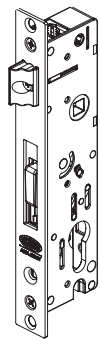
Experience a safer and more open world

Application: Provides multipoint locking with secure deadlocking for aluminium hinged doors. Palladium (Xtra) Snib furniture available with daylatch snib.

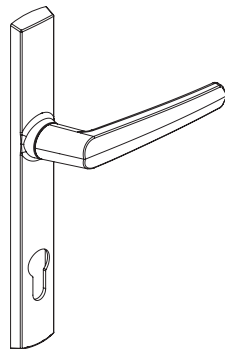
Tools required:

- Drill
- 3.2mm drill bit
- 10mm drill bit
- 20mm drill bit
- Phillips screwdriver #2

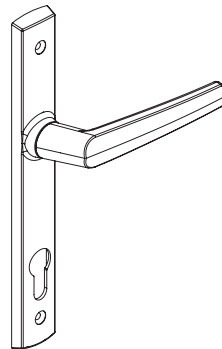
Pack contents



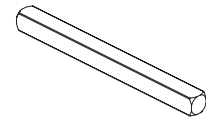
4-Point Lock
(30mm Backset Shown)



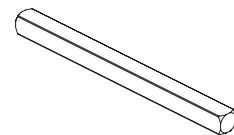
Exterior furniture
(Aria furniture shown)



Interior furniture
(Aria furniture shown)



92mm drive bar (spindle)



104mm drive bar (spindle)



M4 furniture fixing screws



M5 cylinder fixing screw



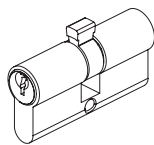
8 x 7.5mm Screws



2mm latch packer

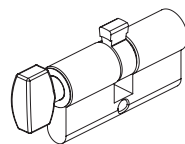


Latch wear pad



Cylinder double key

or



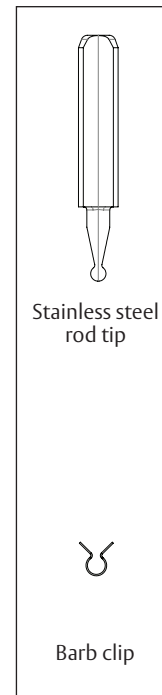
Cylinder key & turn knob



Shootbolt rod
1.3m



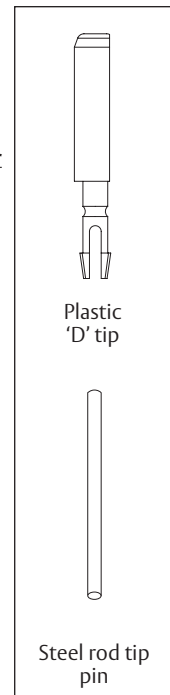
Shootbolt rod
1.0m



Stainless steel
rod tip

Barb clip

or



Plastic
'D' tip

Steel rod tip
pin

Screw selection:

Screw	Stile width
M4 x 49mm	38 - 43mm
M4 x 55mm	43 - 49mm
M4 x 60mm	46 - 55mm
M4 x 65mm	55 - 58mm

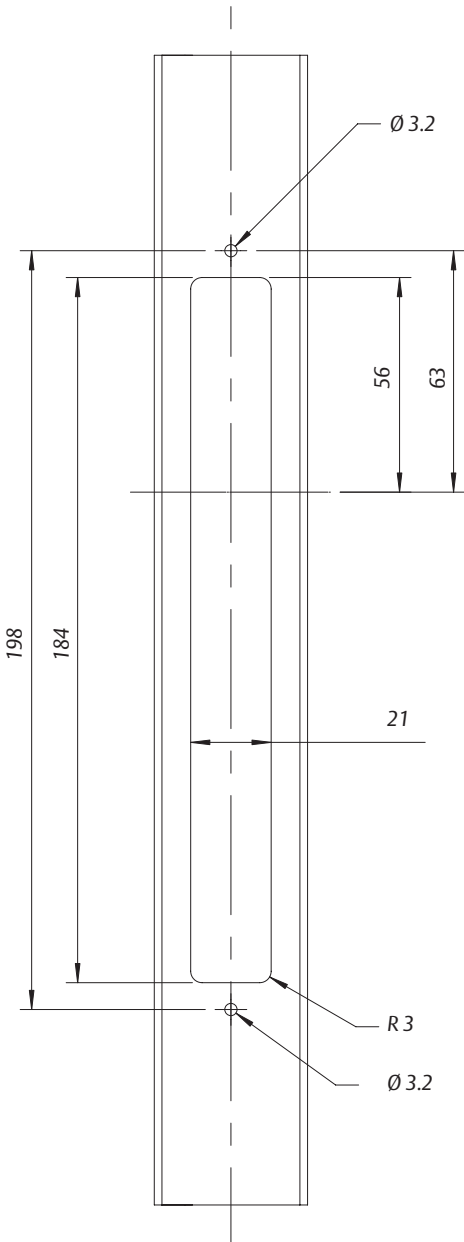
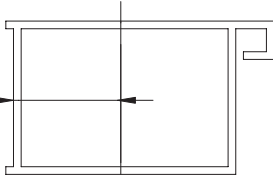
Note: furniture, cylinders and multipoint locking rod components supplied separately.

1. Door preparation

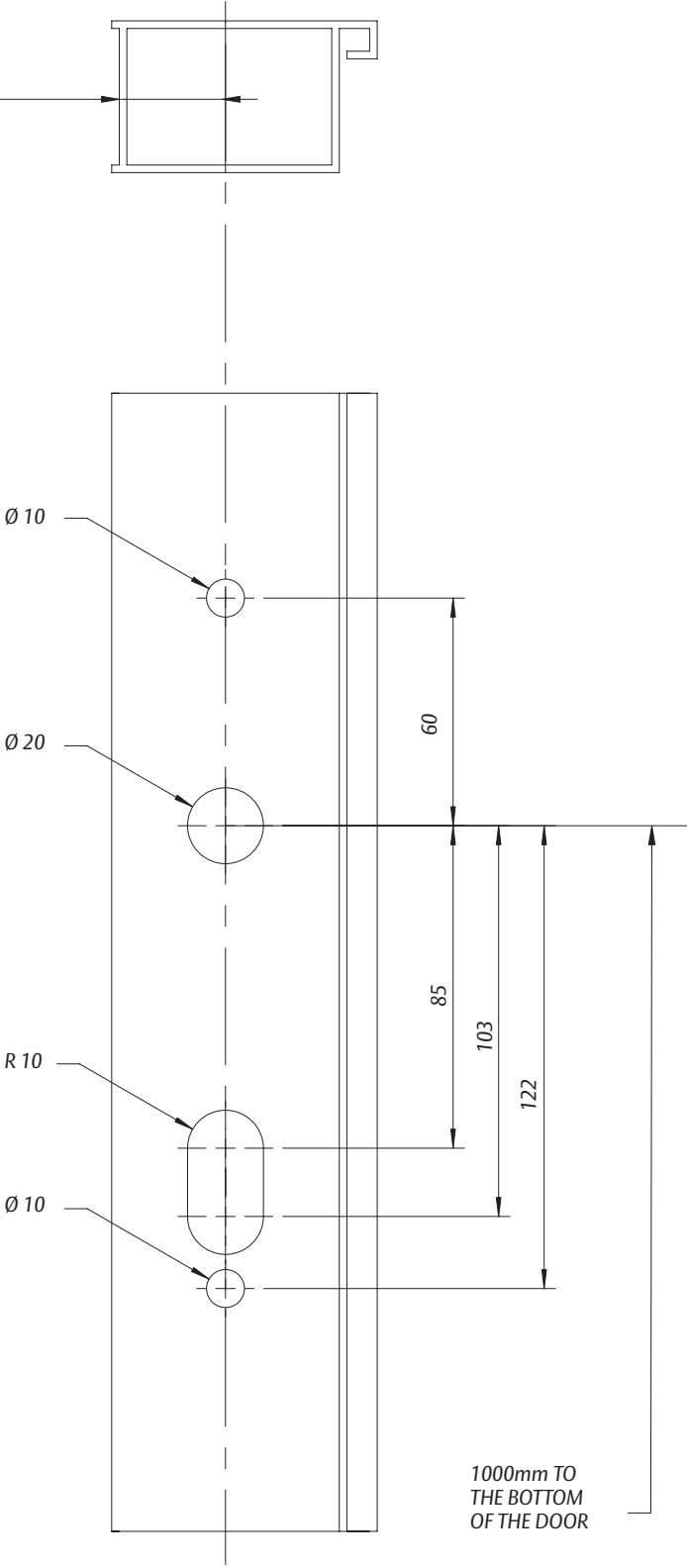
Route the door as shown in the routing diagram.

30mm backset routing is 28mm from face
 40mm backset routing is 38mm from face
 50mm backset routing is 48mm from face

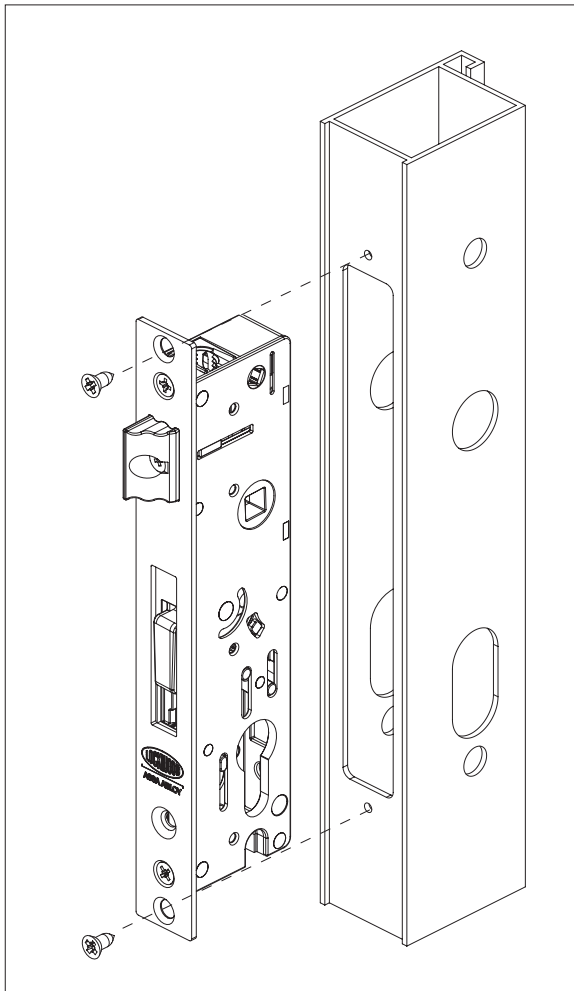
TOP VIEW OF STILE



FRONT VIEW OF STILE

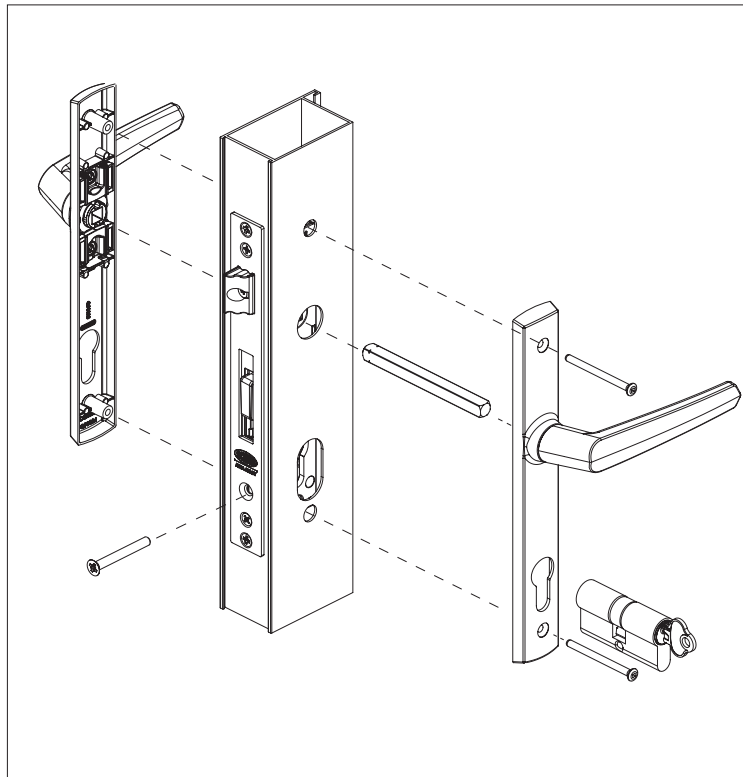


SIDE VIEW OF STILE



2. Fixing lock

- Place the lock assembly into the stile
- Fix the lock onto the stile using the two 8g x 7.5mm screws



3. Fixing furniture and cylinder

- Insert the drive bar (spindle) through the square drive hole in the lock
- Place the furniture onto the drive bar. For security, ensure the interior handle is on the inside of the house
- Place the cylinder through the cylinder hole
- Fix cylinder using the M5 cylinder fixing screw as supplied
- Fix together the furniture using the two M4 furniture fixing screws. See screw selection chart to determine correct screw length

Note: If fixing Palladium (Xtra) Snib Furniture with daylatch snib, refer to separate Palladium (Xtra) Snib Furniture instructions.

4. Assembly of shootbolt rod ends

Trim the lock rods to length allowing for:

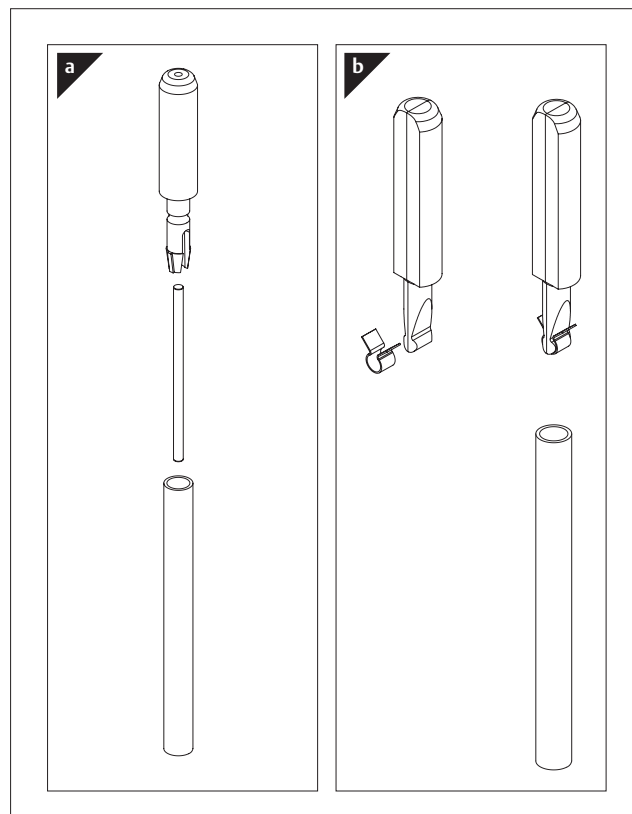
- A throw of 20mm
- Length of 'D' tip
Stainless steel rod tip
- Thread engagement into lock racks

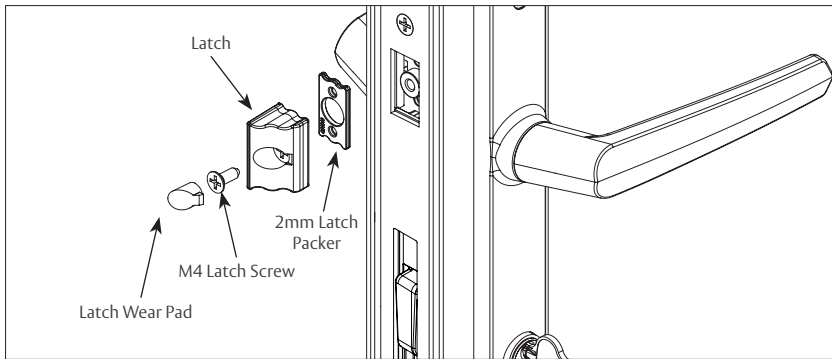
a) Plastic rod ends

- Insert the steel pin into the plastic 'D' tip. The steel pin should be inserted from the open end rather than the smaller drainage hole
- Insert the combined part into the top of the shootbolt rod
- Crimp the shootbolt rod, by applying pressure on the shootbolt rod in line with the groove around the 'D' tip to ensure the two parts cannot be easily separated.
- Repeat steps 1-3 again for the bottom shootbolt rod
- Insert the rods from the top and bottom of the stile and screw into the lock

b) Stainless steel rod ends

- Assemble barb clips to rod ends
- Press or hammer rod end into rod. NO CRIMPING REQUIRED. The barb clip will prevent the rod end from coming out.
- Repeat steps 1-2 again for the bottom shootbolt rod
- Insert the rods from the top and bottom of the stile and screw into the lock

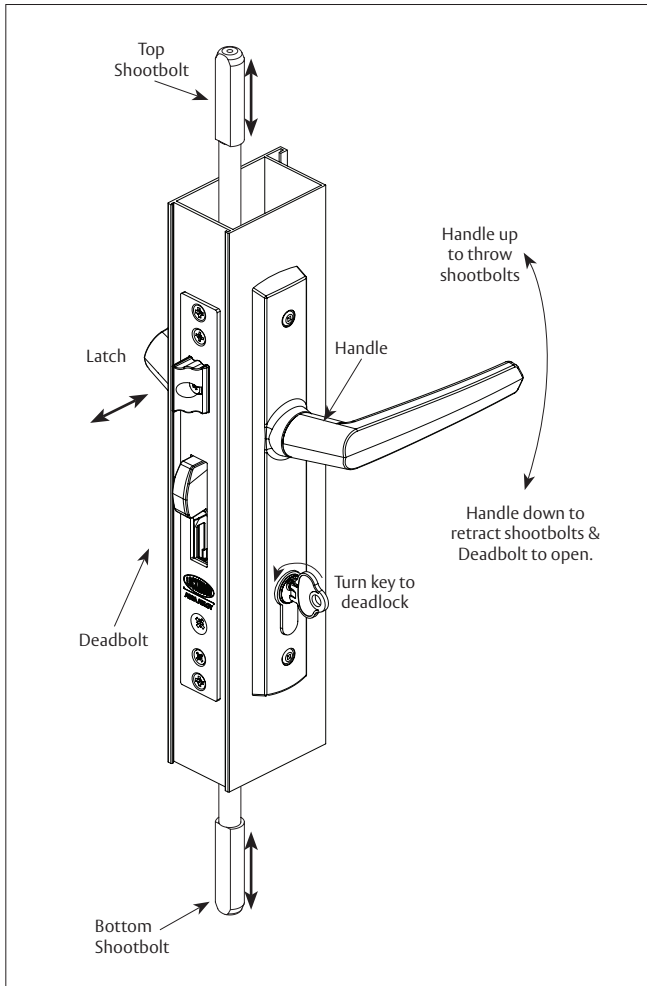




5. Latch reversal

- Undo the M4 latch screw
- Reverse the latch as desired
- Refasten the M4 latch screw to secure the latch
- Insert the latch wear pad

Note: 2mm Latch Packer is provided to allow for latch projection adjustment. An additional 2mm packer is available for purchase.



6. Lock operation

Deadlocking operation

- Pull the door shut. The door will self-latch.
- Lift the handle to throw the deadbolt & shoot bolt (either when the door is unlocked or locked).
- Turn the key towards the edge of the door to deadlock.
- The door is now secure from exterior and interior.
- To retract the shootbolts and deadbolt ensure door is unlocked. Push the handle down and release.

Note: Deadbolt & shootbolt can engage at any stage of operation

Opening operation

- Turn the key away from the door edge to deactivate the deadlock.
- If the deadbolt and shootbolts are engaged, push handle down and release.
- Retract the latch.

Troubleshooting

Do I need to tap holes?	No. All screws are self tapping.
The furniture screws do not tighten	Ensure the screws line up with the screw boss on the exterior handle.
Do I have to use the supplied screws?	For best performance, it is recommended that only the supplied screws are used.
The key function does not operate	Ensure the motion of the latch is not restricted.