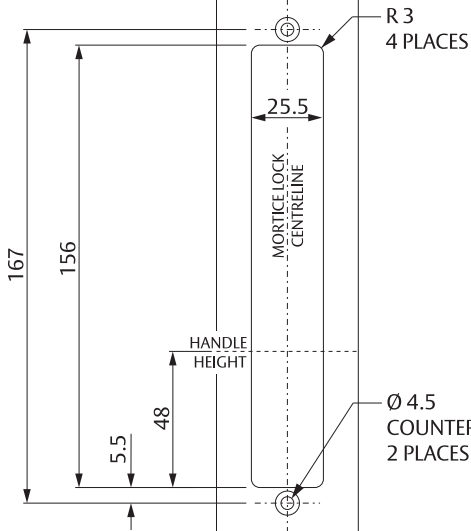


THIS INSTRUCTION COVERS ALUMINIUM DOOR PREPARATION AND SECURING THE LOCK INTO THE ALUMINIUM SECTION. FOR HOLE LOCATIONS, CYLINDER AND ADAPTOR INSTALLATION INSTRUCTIONS AND FUNCTION SETTING INSTRUCTIONS - REFER TO INSTRUCTIONS SUPPLIED WITH THE LOCK.

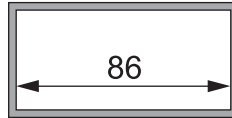


P/No. 3770AF-121 01/16

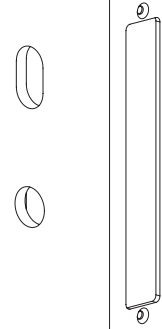
### 1 DOOR PREPARATION



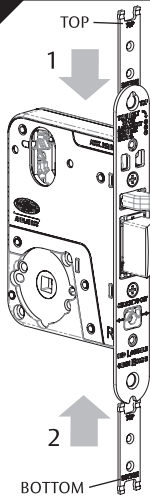
- **Note :** Minimum internal section depth required for installation is 86mm.



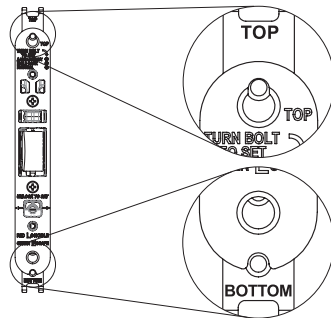
- Establish height that lock will be on door.
- Cut face plate window to the dimensions shown. Drill and countersink fixing holes as shown.
- Use instructions and template supplied with lock for cylinder, furniture holes etc.



### 2 ASSEMBLE FIXING PLATES

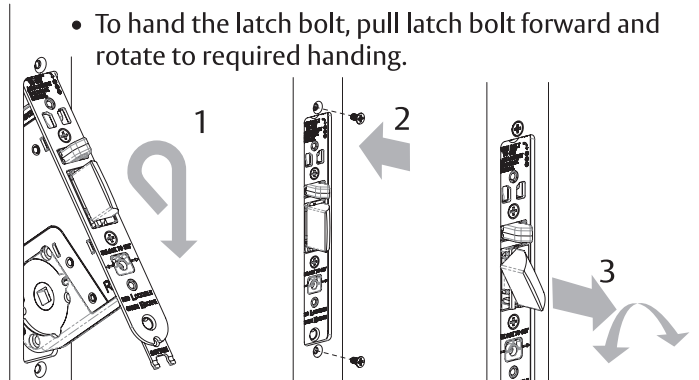


- Slide the fixing plates behind the lock front plate and into the slot in the lockcase.
- Press plates into place until the mounting holes align with the front plate holes.

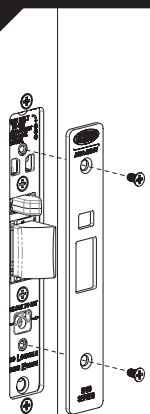


### 3 LOCK INSTALLATION

- Tilt lock through face plate window, lift into aluminium section and align screw holes.
- Secure the lock using the supplied 8mm long screws.
- To hand the latch bolt, pull latch bolt forward and rotate to required handing.

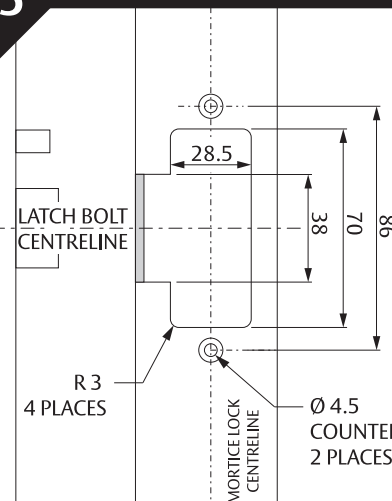


### 4 FACE PLATE INSTALLATION



- Set lock and install cylinders as per standard **MOUNTING INSTRUCTIONS**.
- Fix the face plate onto lock using the supplied 8mm long screws.

### 5 STRIKE INSTALLATION



- Cut strike cutout to the dimensions shown.
- Fit strike box using supplied 8mm long screws.
- Fit strike onto strike box using supplied 8mm long screws.

