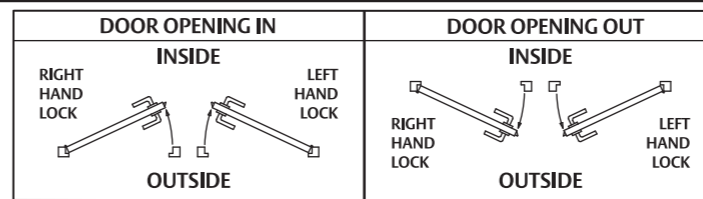


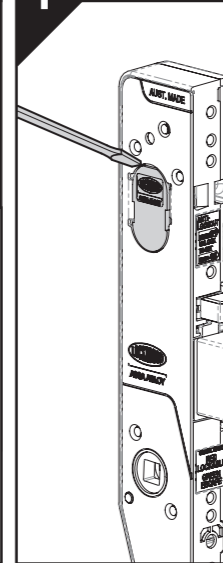
P/No. 3782DX-121 01/16

**HAND OF DOOR ACCORDING TO ENGLISH PRACTICE**



- Determine hand of lock required from chart above.
- Ensure only holes required by handing, function and furniture are cut into door.
- Disregard instructions referring to features not required.
- The lock is supplied in passage mode. The anti-lockout function is de-activated.
- The lock is always hold back capable, no setting is required. Hold back can be activated at any time - unless anti-lockout is selected.

**1 LOCK SETTING**

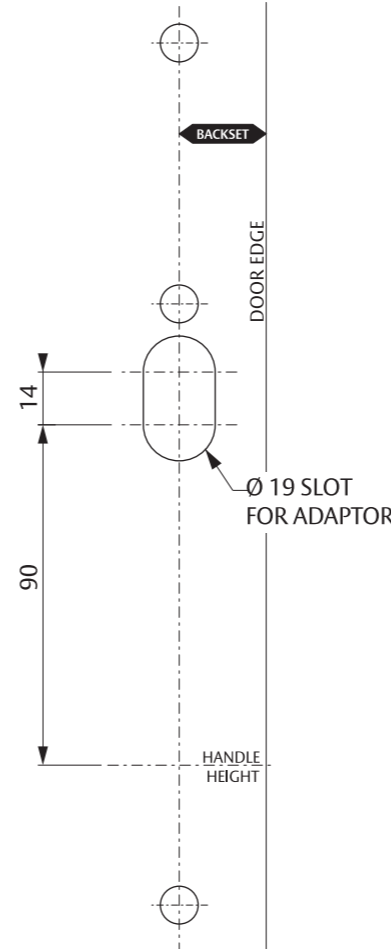


- Where cylinders or turn knobs are required, remove the cylinder plugs from the lock using a small screwdriver.
- Set the required lock function as per **SETTING AND OPERATING INSTRUCTIONS** and the **FUNCTION CHART** on the reverse of this instruction.
- For holdback DX digital installations, refer to standard **MOUNTING INSTRUCTIONS** for cylinder installation instructions.

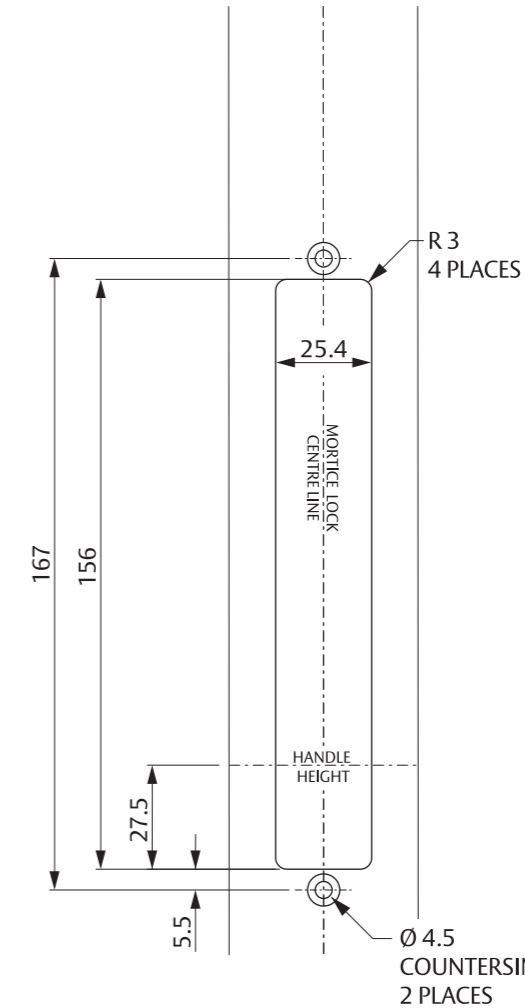
**2 DOOR PREPARATION**

- **Note :** For inward opening doors; 30 or 38mm backset locks should be used to allow the DX Digital to clear the door stop.
- Establish height that lock will be on door.
- Cut face plate window to the dimensions shown. Drill and countersink fixing holes as shown.
- Cut required furniture and DX code pad holes from both sides of door.

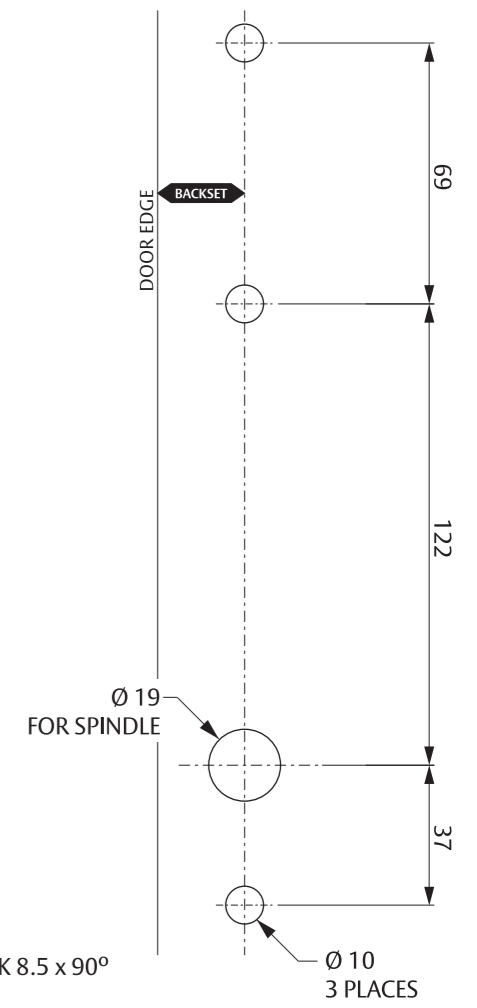
**OUTSIDE OF DOOR**



**DOOR EDGE**



**INSIDE OF DOOR**

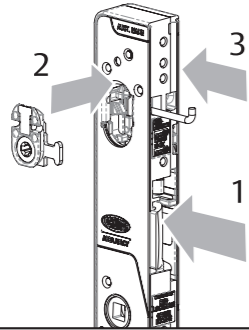


# 3782 MORTICE LOCK and DX DIGITAL KIT

## MOUNTING INSTRUCTIONS FOR ALUMINIUM DOORS

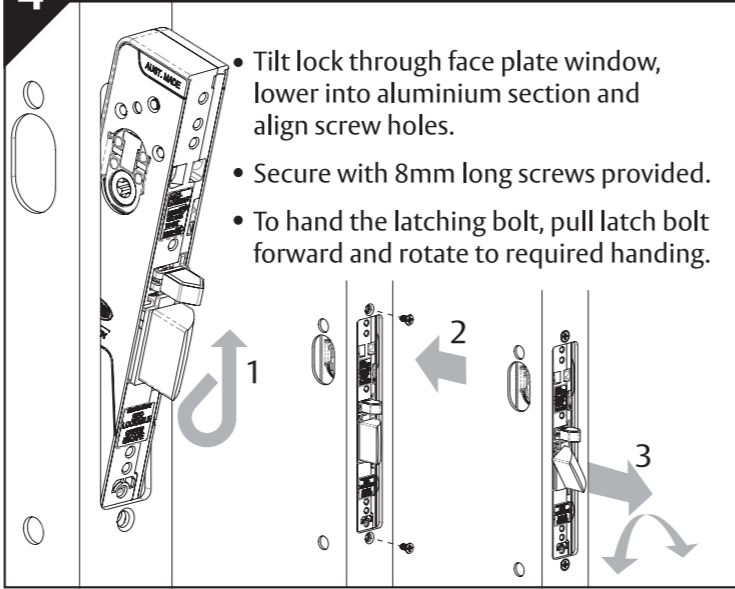
### 3 LATCHING ADAPTOR INSTALLATION

- Depress the latch bolt and fit the latching adaptor.
- Secure by pressing in the cylinder retainer pin.
- **Note : The face plate must be fitted to ensure correct function.**



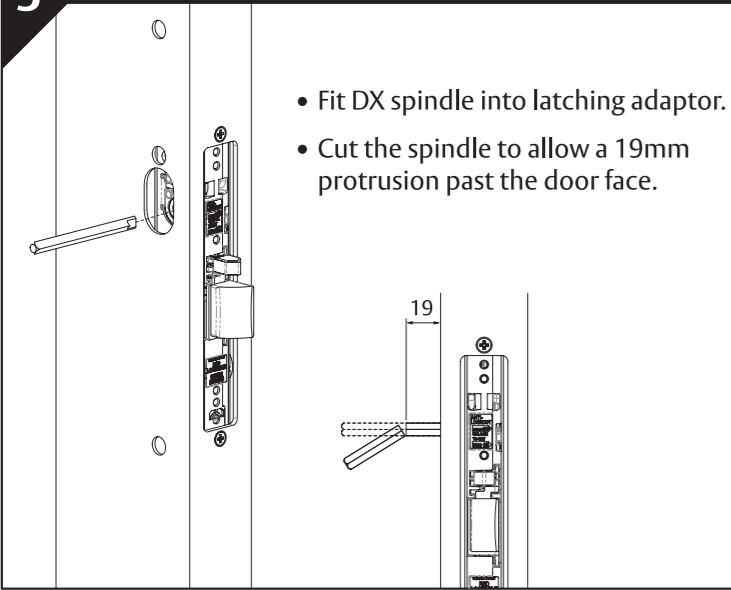
### 4 LOCK INSTALLATION

- Tilt lock through face plate window, lower into aluminium section and align screw holes.
- Secure with 8mm long screws provided.
- To hand the latching bolt, pull latch bolt forward and rotate to required handing.



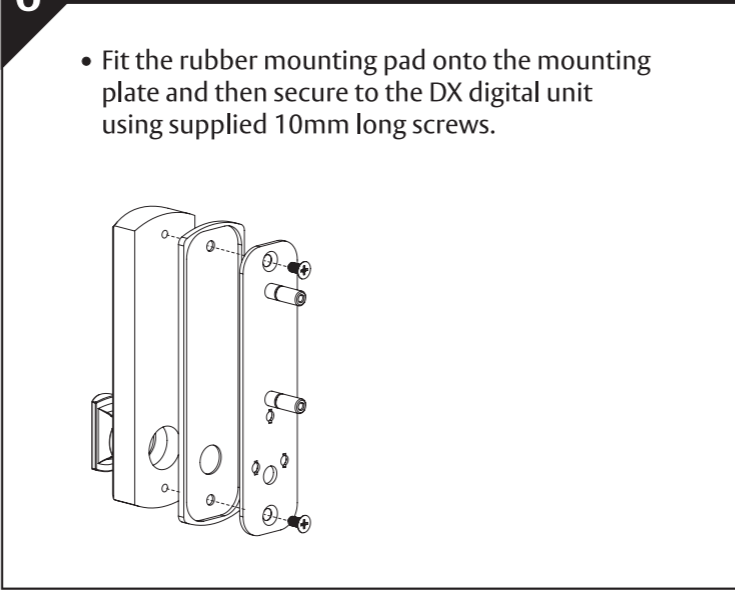
### 5 SPINDLE PREPARATION

- Fit DX spindle into latching adaptor.
- Cut the spindle to allow a 19mm protrusion past the door face.



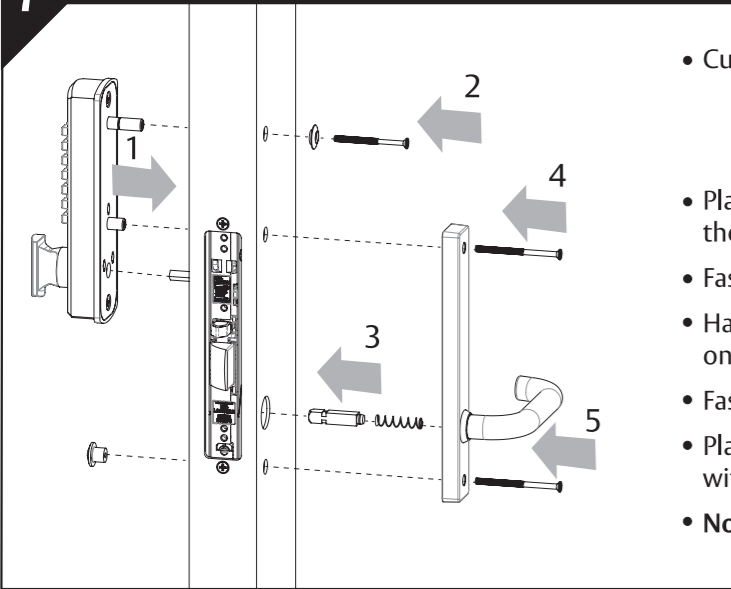
### 6 RUBBER MOUNTING PAD INSTALLATION

- Fit the rubber mounting pad onto the mounting plate and then secure to the DX digital unit using supplied 10mm long screws.



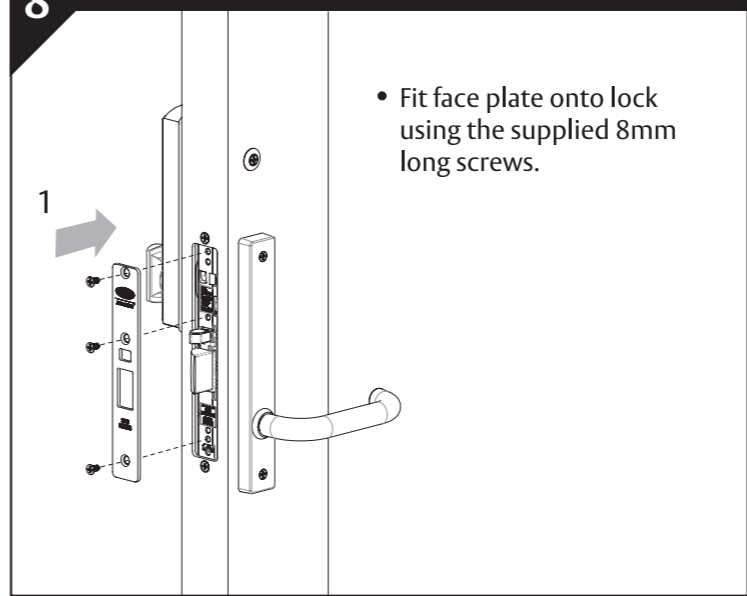
### 7 DX DIGITAL AND FURNITURE INSTALLATION

- Cut M4 screws to length.
  - (a) 1 screw @ **door thickness minus 10mm.**
  - (b) 1 screw @ **door thickness plus 6mm.**
  - (c) 1 screw @ **door thickness plus 10mm.**
- Place the DX digital onto the external side of the door, ensure the spindle is engaged in the DX digital handle.
- Fasten the DX digital using top screw (a) and cup washer.
- Hand furniture then fit the spindle, spring and internal furniture onto the internal side of the door.
- Fasten furniture using top furniture screw (b).
- Place furniture mounting nut on external side and secure with screw (c).
- **Note : The face plate must be fitted to ensure correct function.**



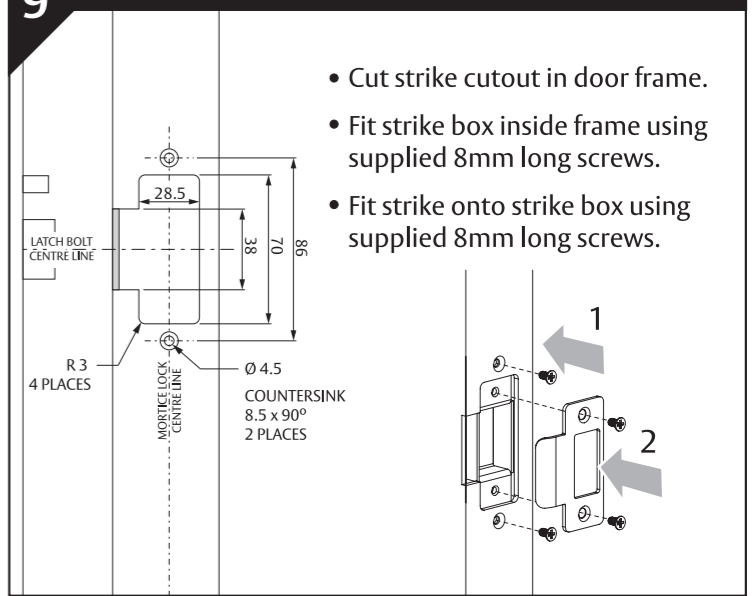
### 8 FACE PLATE INSTALLATION

- Fit face plate onto lock using the supplied 8mm long screws.



### 9 STRIKE INSTALLATION

- Cut strike cutout in door frame.
- Fit strike box inside frame using supplied 8mm long screws.
- Fit strike onto strike box using supplied 8mm long screws.



## 3782 MORTICE LOCK and DX DIGITAL KIT FUNCTION CHART

Function description	External cam or adaptor	Hub setting	Anti-lockout setting	Locking bar position	Internal cam or adaptor
<b>3782DX- DX digital lock</b> <i>DX Digital outside, plate furniture inside.</i> <b>Outside :</b> Opened by DX Digital. <b>Inside :</b> Opened by handle at all times.			OFF	Down	
<b>3782DXV DX digital holdback #</b> <i>DX Digital outside, plate furniture and cylinder inside.</i> <b>Outside :</b> Opened by DX Digital. <b>Inside :</b> Opened by handle at all times. Key activates or releases holdback and retracts bolt after releasing holdback.			OFF	Selectable	

# Hold back is achievable on this lock - Latch bolt can be held within the lock.