

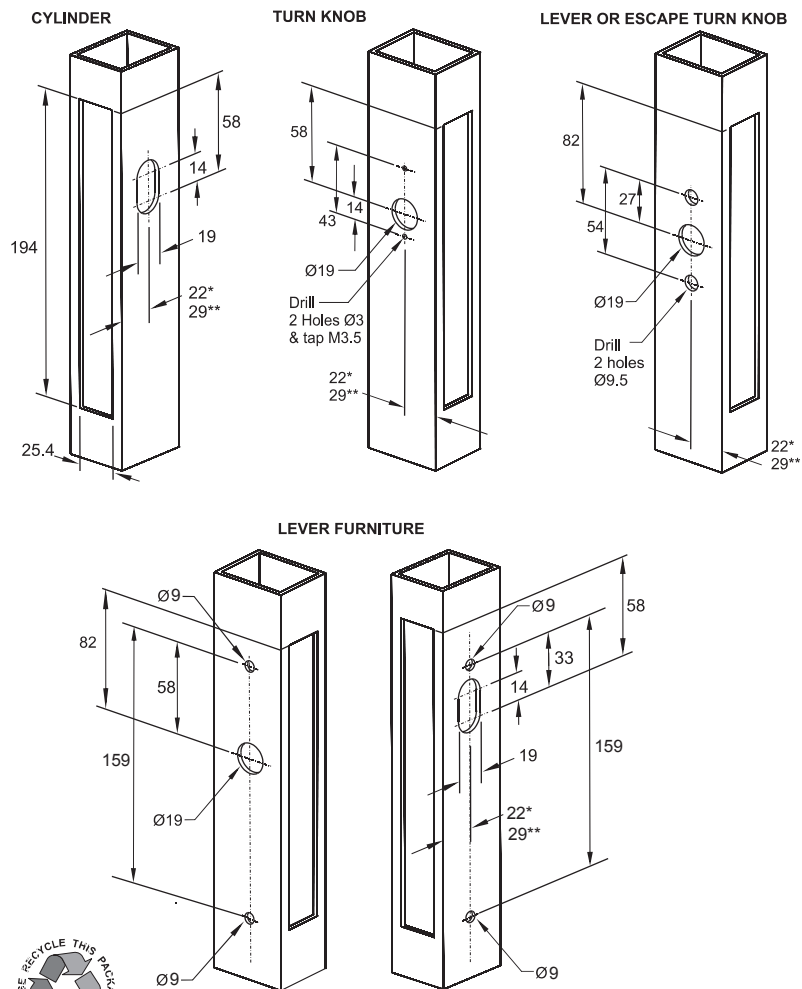
3540 SERIES MORTICE DEADLOCK for METAL DOOR APPLICATIONS

1

PREPARING DOOR

In this application the lock and strike should be mounted to posts or brackets. Due to the wide variations in design of door jambs and stiles, these are not supplied with the lock assembly. Before cutting any openings, ensure the proposed method of mounting is compatible with the lock assembly, if not, investigate the use of the Fabricator Series assemblies (3540).

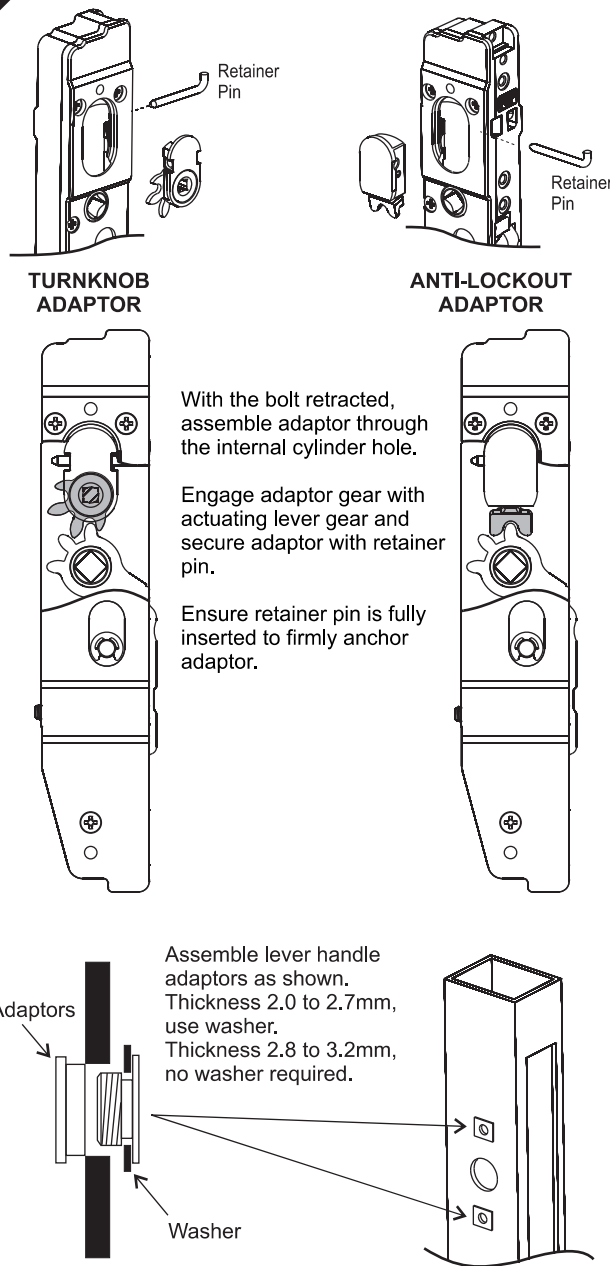
Cut opening in door to suit cover plate and drill holes to suit function required.



* 23mm Standard Backset mortice lock ** 30 mm Extended Backset mortice lock

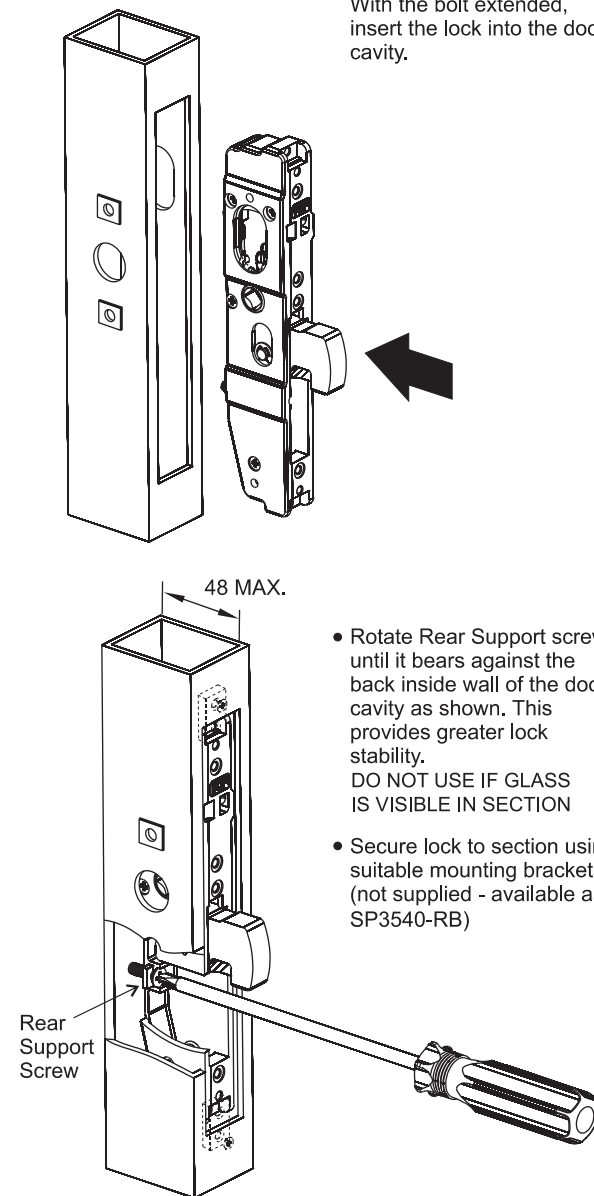

2

FITTING ADAPTORS

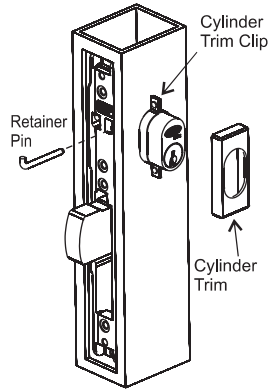

3

INSTALLING LOCK

With the bolt extended, insert the lock into the door cavity.

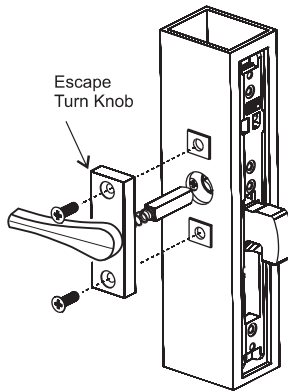


CYLINDER



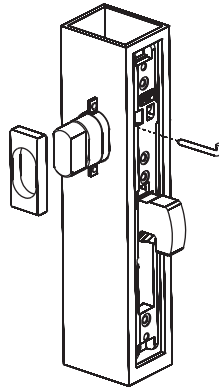
Assemble cylinder and secure with retainer pin. Ensure retainer pin is fully inserted to firmly anchor cylinder. Fit cylinder trim clip and cylinder trim.

ESCAPE TURN KNOB



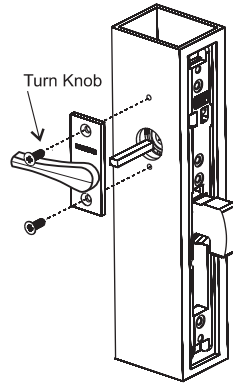
Secure Escape Turn Knob assembly with 2 M5 X 15mm C'sunk head screws provided.

CYLINDER TURN



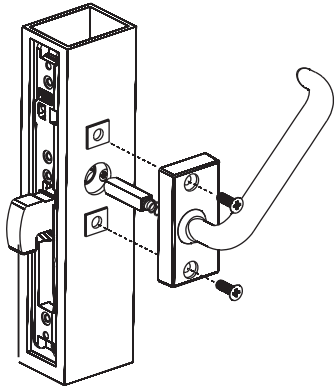
Assemble cylinder turn and secure with retainer pin. Ensure retainer pin is fully inserted to firmly anchor cylinder. Fit cylinder trim clip and cylinder trim.

TURN KNOB



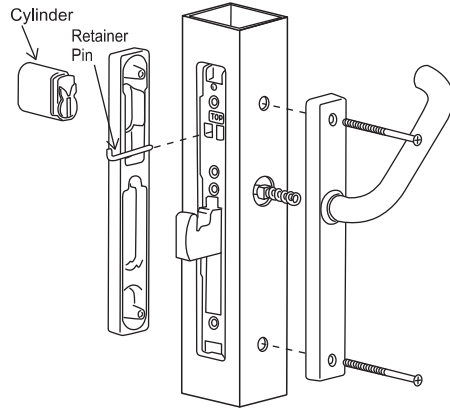
Cut connecting bar to allow 10mm to protrude from door face. Secure Turn Knob assembly with 2 M5 x 15mm C'sunk head screws provided.

LEVER



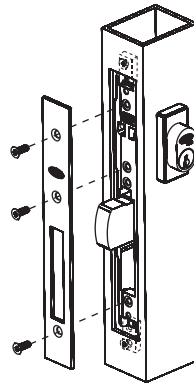
Secure Lever Handle assembly with 2 M5 X 15mm C'sunk head screws provided.

LEVER FURNITURE



Assemble cylinder and secure with retainer pin. Ensure retainer pin is fully inserted to firmly anchor cylinder. Secure lever handle and opposing trim plate with 2 M4 X 65mm C'sunk head screws provided.

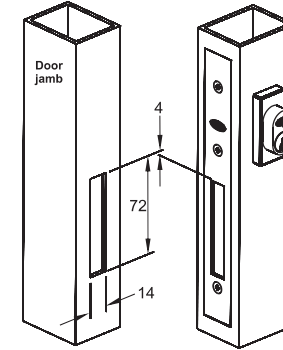
COVERPLATE



Secure Coverplate to lock with 3 M4 x 11mm C'sunk head screws provided.

Cutting of Bolt Hole 3540, 3542 Only

Cut hole in door jamb as shown.



Fitting of Sliding Door Strike - 3541 Only

SELF LATCHING STRIKE

- 1) Assemble supplied T-Screws to back of strike body. (Refer to table below)
- 2) Cut opening in door jamb to suit strike.
- 3) Fit strike assembly into door jamb.
- 4) Tighten 2 T-Screws with Allen key supplied until T-screws fasten against back wall of section.
- 5) Secure strike with 2 x 6mm C'sunk screws.
- 6) Check if lock latches when closed. If adjustment is required remove one or both of the packing strips.

Depth of Section	Length of T-screw
Up to 38mm	15mm
38 to 48mm	25mm
48 to 58mm	35mm

DO NOT USE T-SCREWS IF GLASS IS VISIBLE IN SECTION

