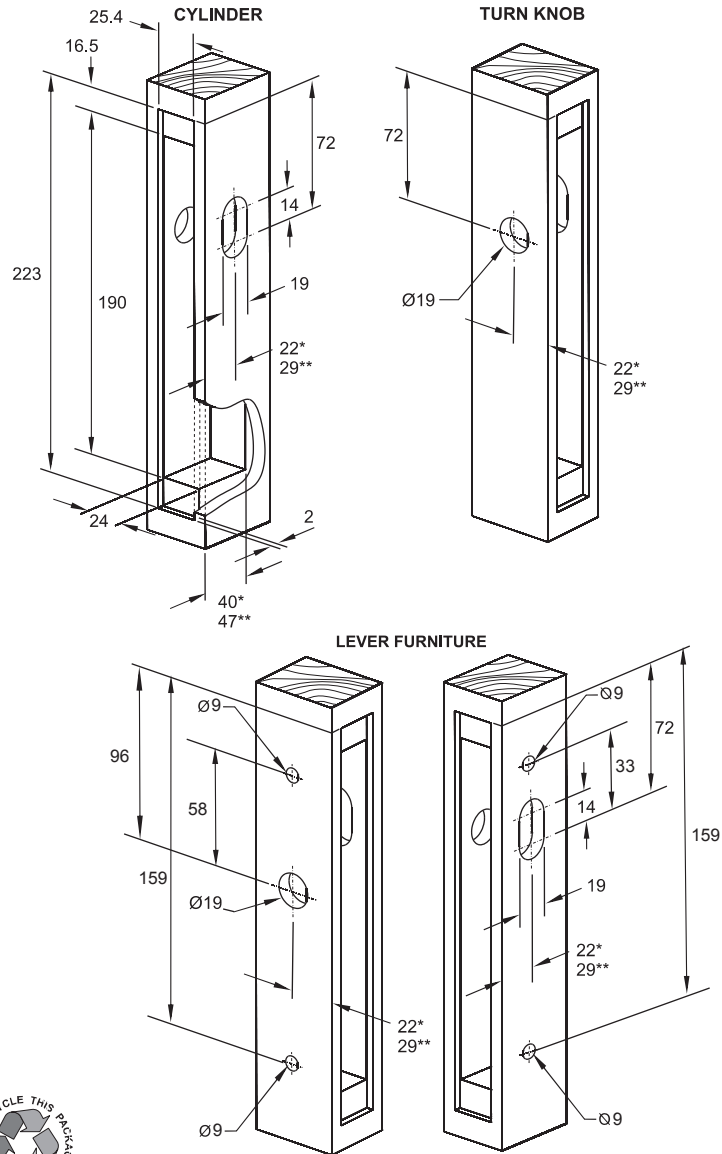


3540 SERIES MORTICE DEADLOCK for TIMBER DOORS

1

PREPARING DOOR

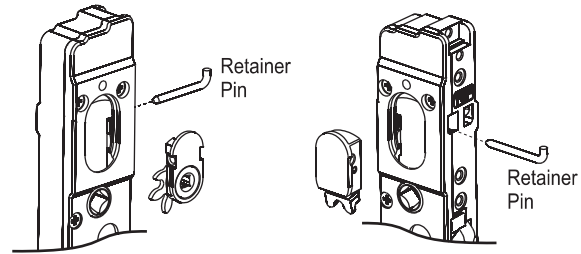
Cut opening in door to suit cover plate and drill holes to suit function required.



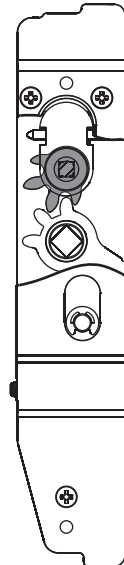
* Standard Backset mortice lock ** Extended Backset mortice lock

2

FITTING ADAPTORS



TURNKNOB ADAPTOR

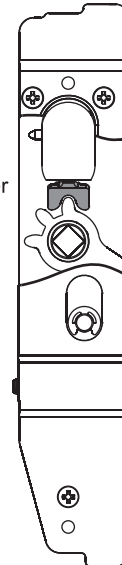


With the bolt retracted, assemble adaptor through the internal cylinder hole.

Engage adaptor gear with actuating lever gear and secure adaptor with retainer pin.

Ensure retainer pin is fully inserted to firmly anchor adaptor.

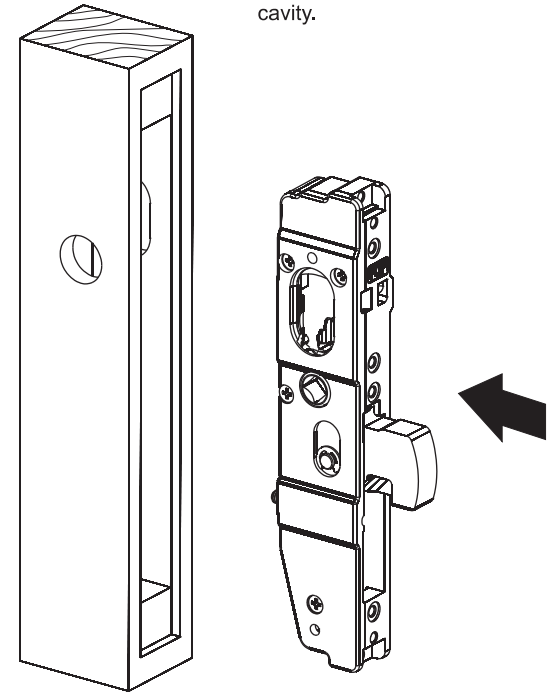
ANTI-LOCKOUT ADAPTOR



3

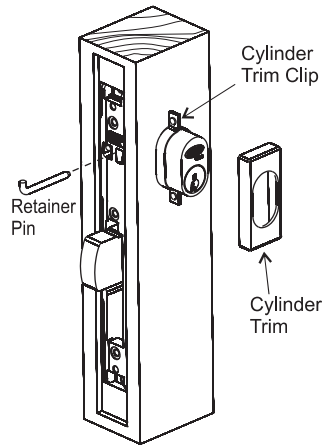
INSTALLING LOCK

With the bolt extended, insert the lock into the door cavity.



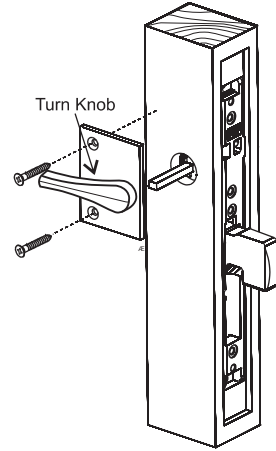
FITTING ACCESSORIES

CYLINDER



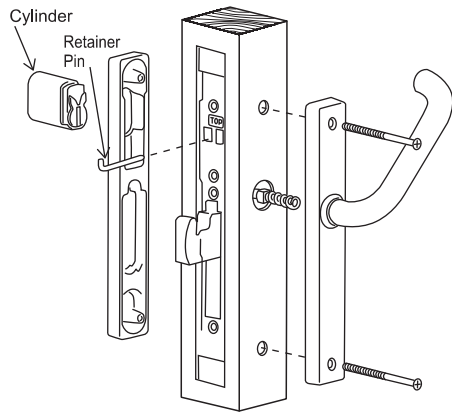
Assemble cylinder and secure with retainer pin . Ensure retainer pin is fully inserted to firmly anchor cylinder. Fit cylinder trim clip and cylinder trim.

TURN KNOB



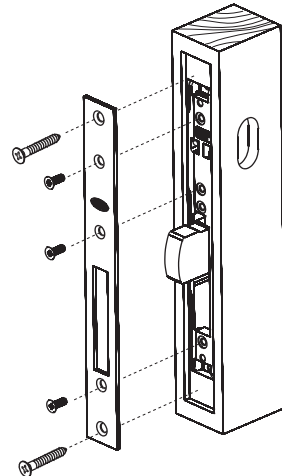
Cut connecting bar to allow 10mm to protrude from door face. Secure Turn Knob assembly with 2 small wood screws provided.

LEVER FURNITURE



Assemble cylinder and secure with retainer pin. Ensure retainer pin is fully inserted to firmly anchor cylinder. Secure lever handle and opposing trim plate with 2 M4 X 65mm C'sunk head screws provided.

COVERPLATE

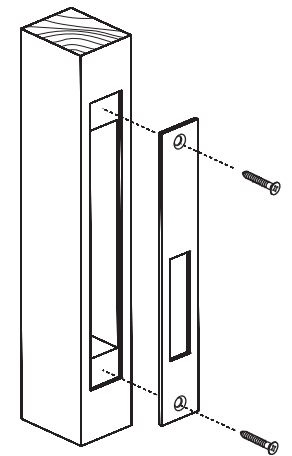
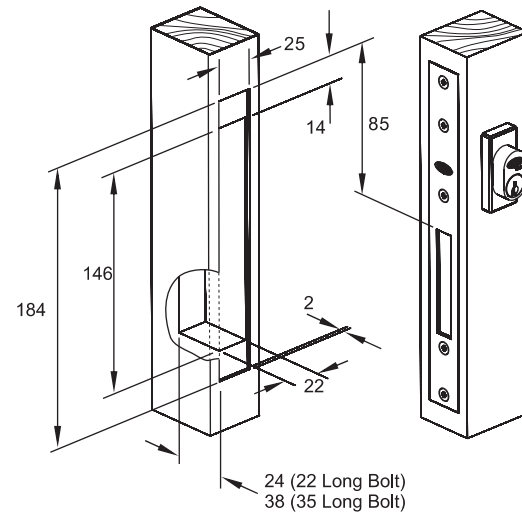


Secure Coverplate to lock with 3 M4 x 11mm C'sunk head screws provided. Secure Mortice lock to timber by 2 wood screws supplied.

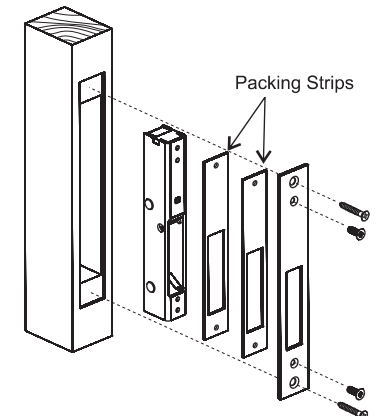
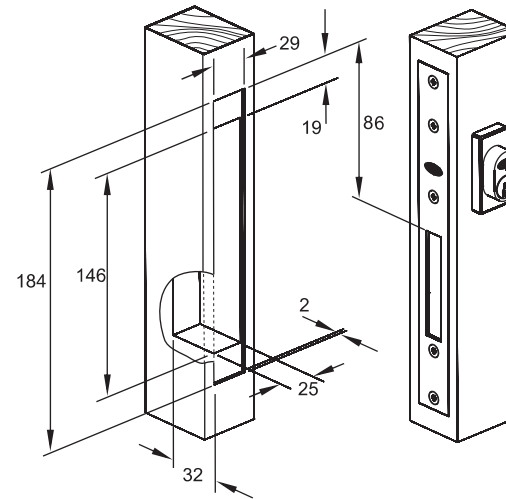
INSTALLING STRIKE

Cutting of Bolt Hole 3540, 3542 Only

Cut hole in door jamb as shown.



Fitting of Sliding Door Strike - 3541 and 5541 Only



Cut mortice to dimensions shown and fit strike with 2 woodscrews supplied. If lock doesn't latch when door is closed, remove one or two packing strips.