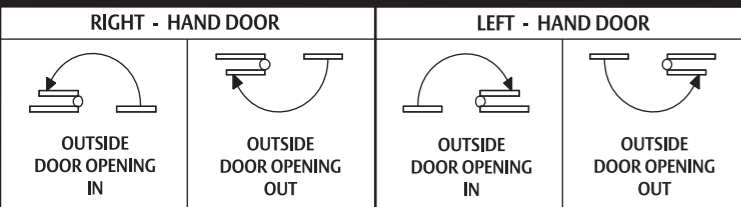


3570 SERIES ELECTRIC MORTICE LOCK MOUNTING INSTRUCTIONS

HAND OF DOOR ACCORDING TO ENGLISH PRACTICE

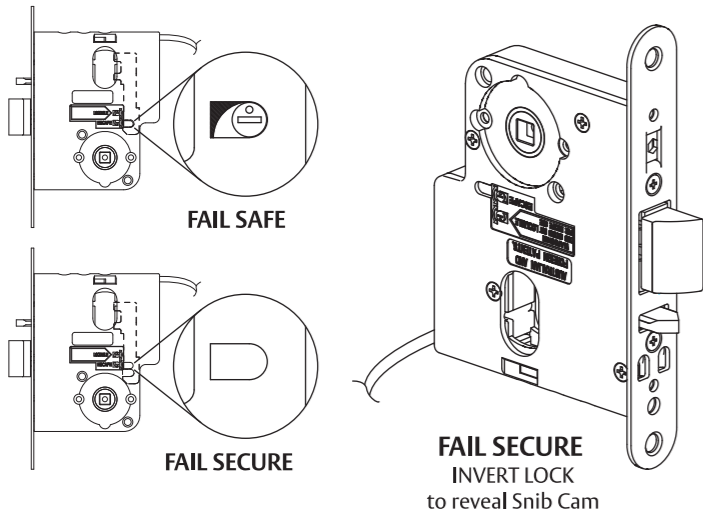


1 LOCK HANDING

- Determine hand of lock required from above hand of door chart.
- Rotate bolt head to suit latching direction.

2 LOCK STATUS

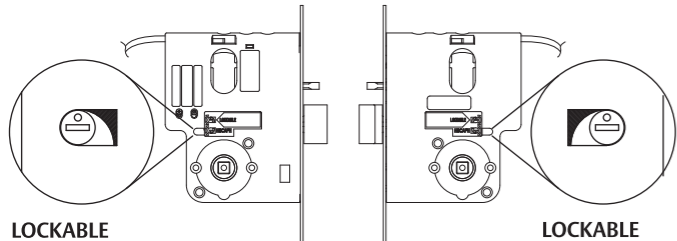
- Ensure Snib Cam is exposed.
- FAIL SAFE** locks (Snib Cam is exposed). For **FAIL SECURE** locks, invert the lock so the Snib Cam screw is exposed.



3 SETTING LOCK HANDING

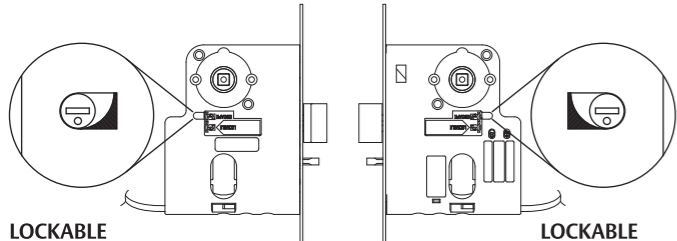
- Rotation of the Snib Cam hands the lock. Use a small flat screwdriver to rotate cam if required.
- Combination Locks** (Both handles are lockable). DOT to be in the UP position when case is upright.

COMBINATION



COMBINATION (FAIL SECURE)

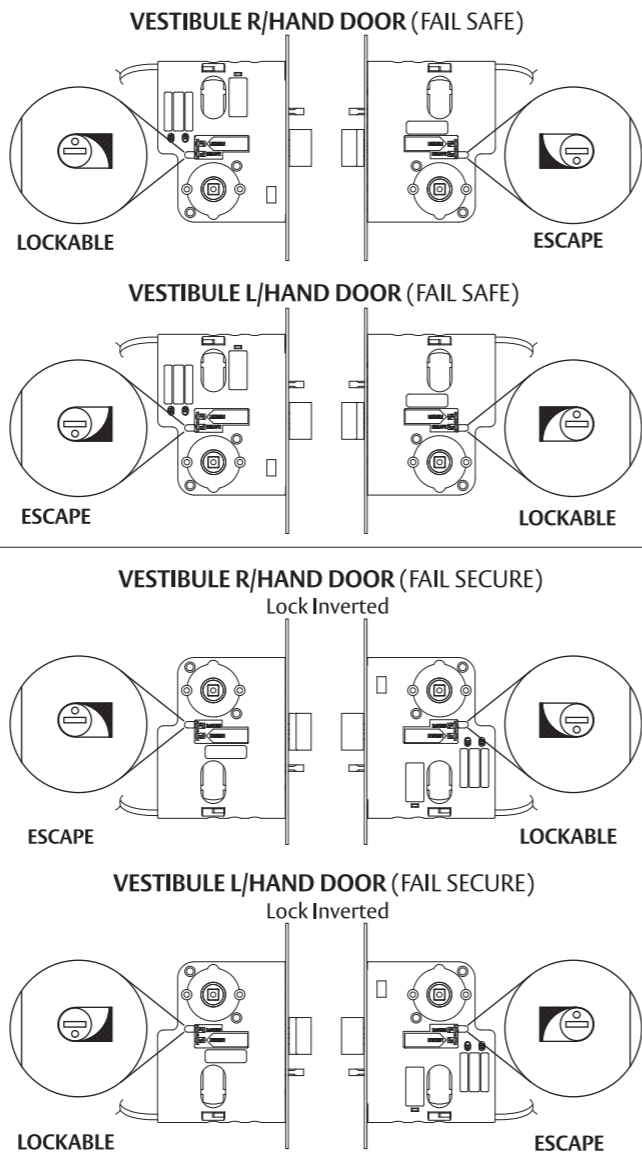
Lock Inverted



- Lockwood 3570 Series Electric Mortice Locks should be mounted in accordance with these instructions. Locks may or may not have cylinders, LEDs or lever handles.
- Disregard instructions referring to the features not required.
- Important:** Before drilling door, ensure correct hand is being installed.
- NOTE:** CASE DOES NOT need to be opened, to change HAND or FUNCTION of LOCK.

4 SETTING LOCK HANDING (cont'd)

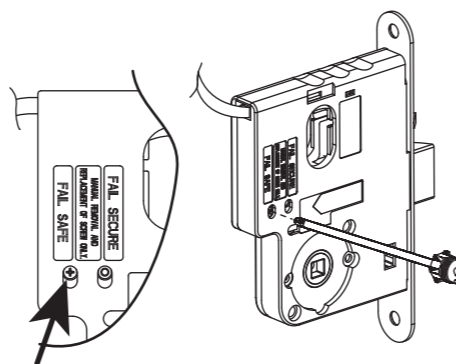
Vestibule Locks (with single action Escape feature) DOT to be UP on Lockable side and DOWN on the Escape side when case is upright.



5 SELECTING FAIL SAFE / FAIL SECURE

- The lock is factory set to **FAIL SAFE**.
- To set to **FAIL SECURE** remove screw from 'FAIL SAFE' position and manually screw into 'FAIL SECURE' position.

WARNING: Do not use a power driver to tighten screw.



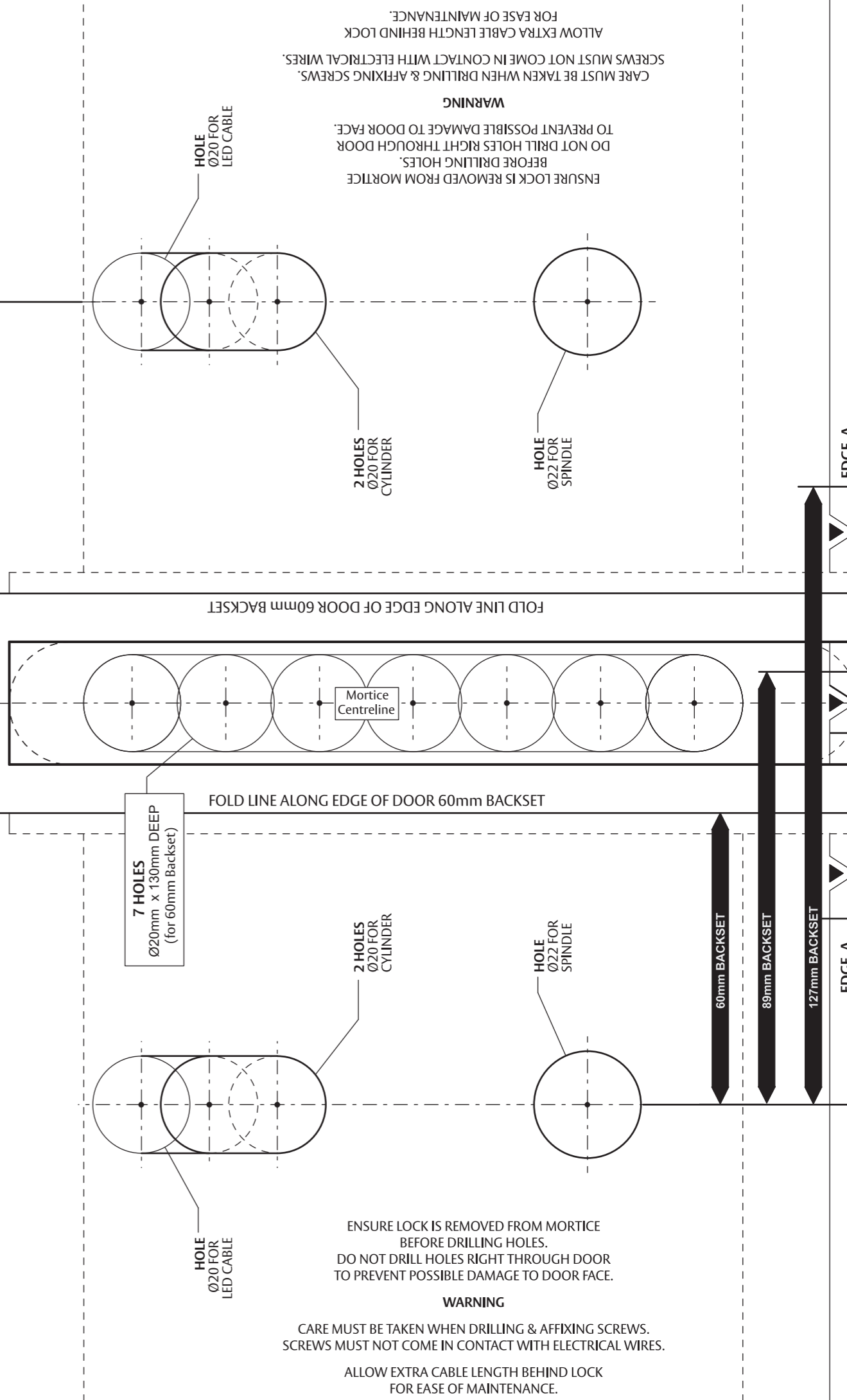
TEAR HERE

THIS IS A COMMON TEMPLATE FOR 3570 SERIES ELECTRIC MORTICE LOCKS. BEFORE DRILLING HOLES, CHECK THAT THEY WILL SUIT LOCKSET TO BE FITTED.



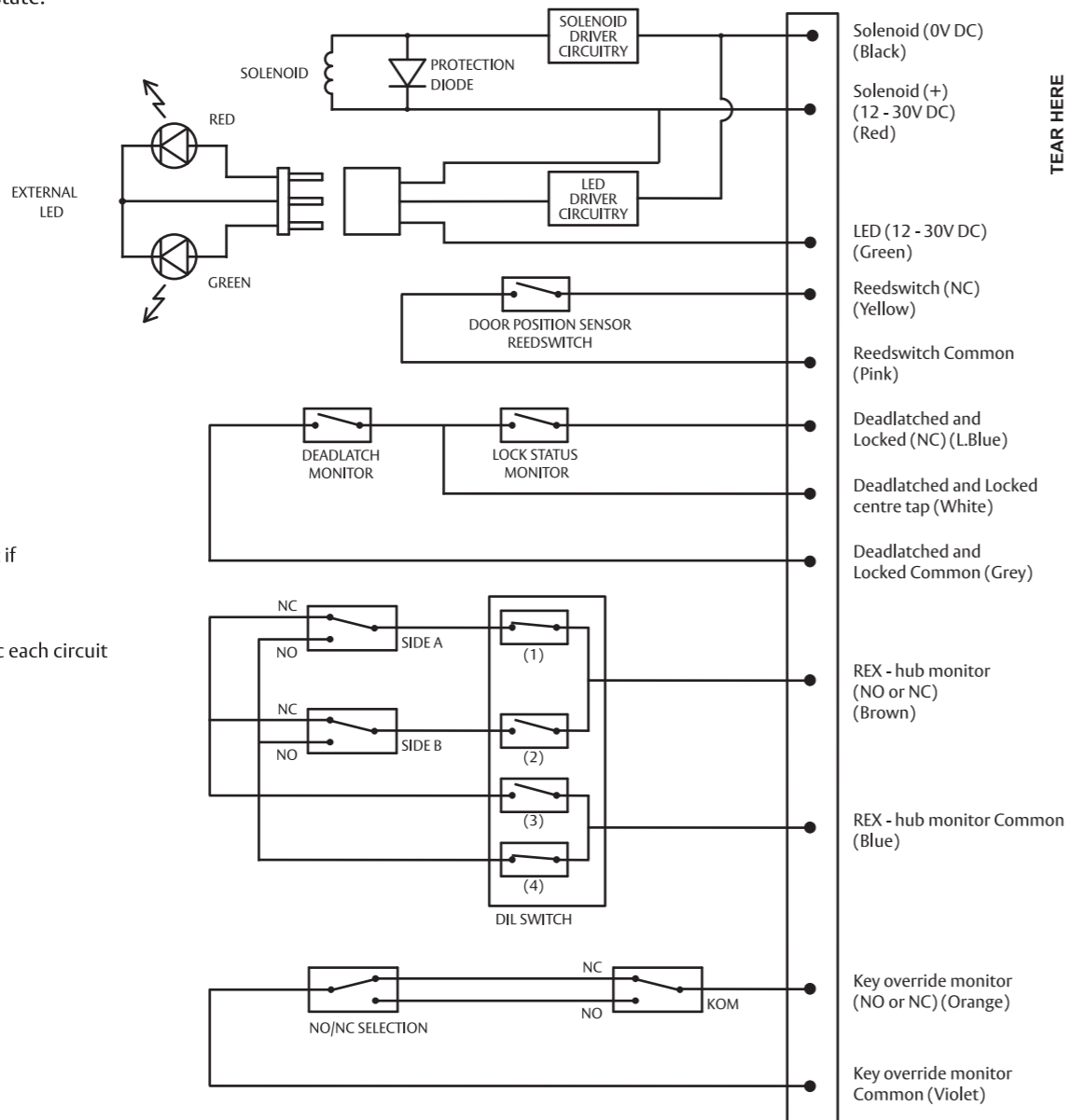
TEAR HERE

THIS IS A COMMON TEMPLATE FOR 3570 SERIES ELECTRIC MORTICE LOCKS. BEFORE DRILLING HOLES, CHECK THAT THEY WILL SUIT LOCKSET TO BE FITTED.



ELECTRICAL SPECIFICATIONS

Note: Diagram depicts RH opened door, with handle & key in rest state.

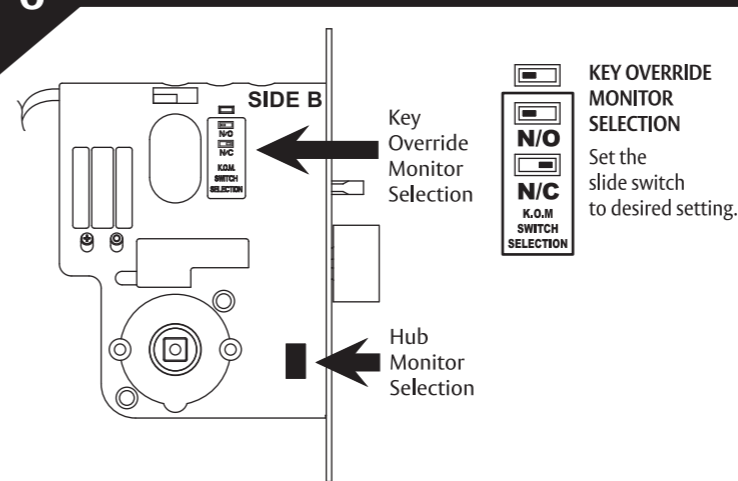


- Solenoid Activation**
Operating Voltage: 12~30Vdc

Operating Current: 500mA Max, 80mA holding @ 12Vdc
275mA Max, 50mA holding @ 24Vdc
- Led Current**
Add 20mA to Total Operating Current if LED's are fitted.
- Monitoring Circuits**
Microswitches: 500mA Max @ 30Vdc each circuit
Reedswitch: 100mA Max @ 30Vdc

COLOUR	FUNCTION
Black	Solenoid (0V DC)
Red	Solenoid (+) (12 - 30V DC)
Green	LED (12 - 30V DC)
Yellow	Door Position Sensor (NC)
Pink	Door Position Sensor (COM)
Light Blue	Deadlatch and Lock Status (NC)
White	Deadlatch and Lock Status centre tap
Grey	Deadlatch and Lock Status (COM)
Brown	REX - Hub Monitor (NO or NC)
Blue	REX - Hub Monitor (COM)
Orange	KOM - Key Override Monitor (NO or NC)
Violet	KOM - Key Override Monitor (COM)

6 MONITOR SELECTION

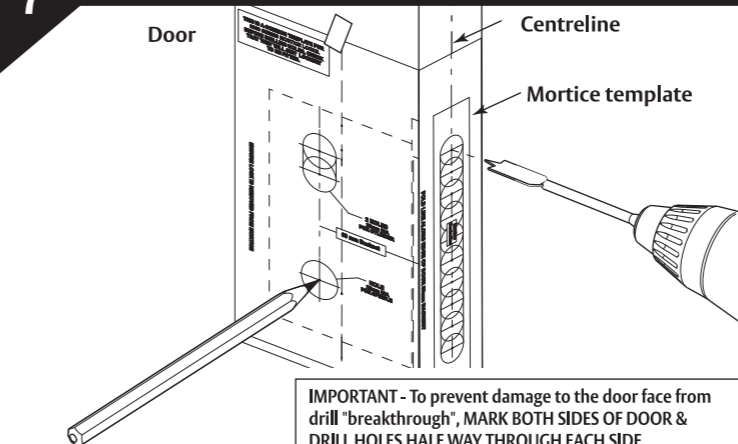


HUB MONITOR SELECTION

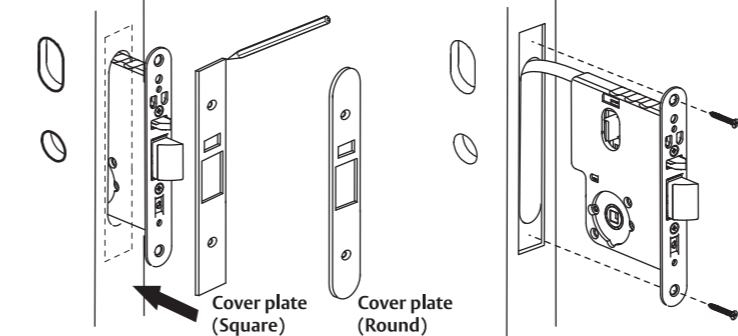
Select normally open, normally closed, Lock Side A or Lock Side B monitoring configuration.

SWITCH No.	LOCK SIDE	NORMAL FUNCTION
ON OFF	A	N/C
ON OFF	A	N/O
ON OFF	B	N/C
ON OFF	B	N/O

7 DOOR PREPARATION

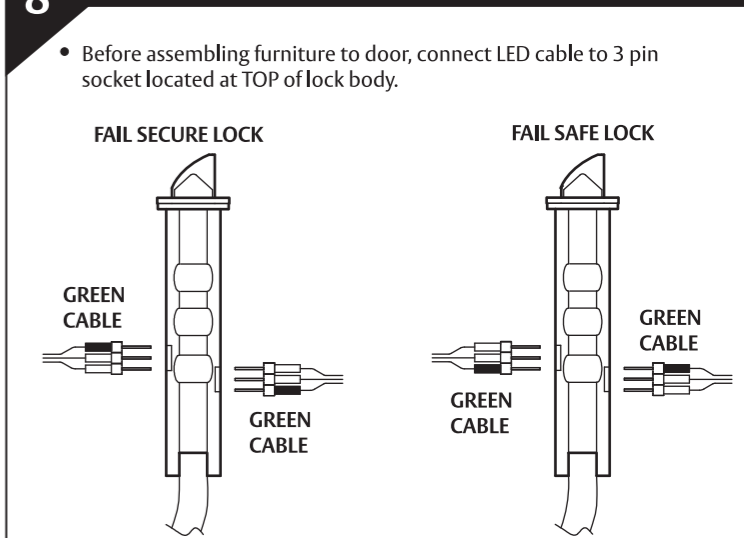


- Establish height that lockset will be mounted on door and mark centreline of door thickness on door edge.
- Place Mortise Template on door and align centreline on template with centreline on door. Secure with sticky tape.
- Mark and drill mortise to suit mortise lock depth (130mm).
- Ease out mortise cavity where necessary. Clean out mortise before inserting lock.
- Allow space for extra cable length behind lock for ease of maintenance.



- Insert lock in mortise with Cover Plate on and scribe around Cover Plate for size of recess, ensuring that no foreign matter finds its way into the lock mechanism.
- Remove lock from mortise and chisel recess 4mm deep to receive both front and cover plate. Cover plate must be flush with edge of door.
- Ensure lock is removed from mortise cavity. Fold template along backset fold line. Align EDGE A with bottom of cover plate recess. Establish holes required to suit lock function, mark hole centres accurately, drill and clean holes.
- Drill furniture holes as required.
- Fasten mortise lock into door using mounting screws provided.

8 FURNITURE WITH LED



9 LOCK INSTALLATION

- LOCKS WITH CYLINDERS**
- Using a small flat screwdriver, lever out Cylinder Hole Plug.
 - Connect power plug from lock to power supply socket and place lock in mortise and insert cylinder.
 - Secure cylinder with retainer pin, ensuring pin is flush with front plate.
 - Secure lock to door with 2 x screws supplied.
 - Install cover plate and secure with 2 x M4 screws to lock body.
- LOCKS WITHOUT CYLINDERS**
- Connect power plug from lock to power supply socket and place lock in mortise.
 - Secure lock to door with 2 x screws supplied.
 - Install cover plate and secure with 2 x M4 screws to lock body.

10 SPINDLE INSTALLATION

- All locks are supplied with spindles.
 - Insert spindle(s) into lock, as required.
 - Assemble furniture as required.
 - Ensure furniture is not over-tightened.
- IMPORTANT:** Attach spindle spring to rear of spindle before assembling

11 MOUNTING STRIKE AND MAGNET

- Mark out door frame for strike.
- Mortise door frame for strike box and strike.
- Bolt recess to be 15mm deep in door frame.
- Screw strike and strike box to door frame with 2 x screws supplied.
- Drill Ø19mm hole x 25 deep, 62mm above strike centreline.
- Insert magnet in hole.

TEAR HERE

TEAR HERE

