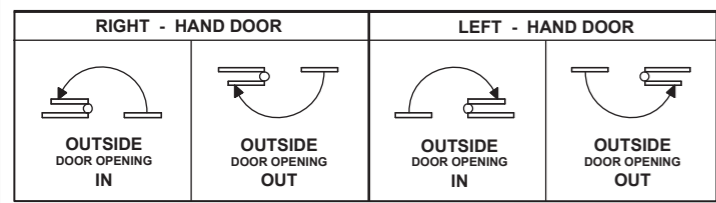


# 3570 SERIES MORTICE LOCK with DUAL ENTRY CYLINDER MOUNTING INSTRUCTIONS

P/No. 3577-5121 30621 1009

## HAND OF DOOR ACCORDING TO ENGLISH PRACTICE

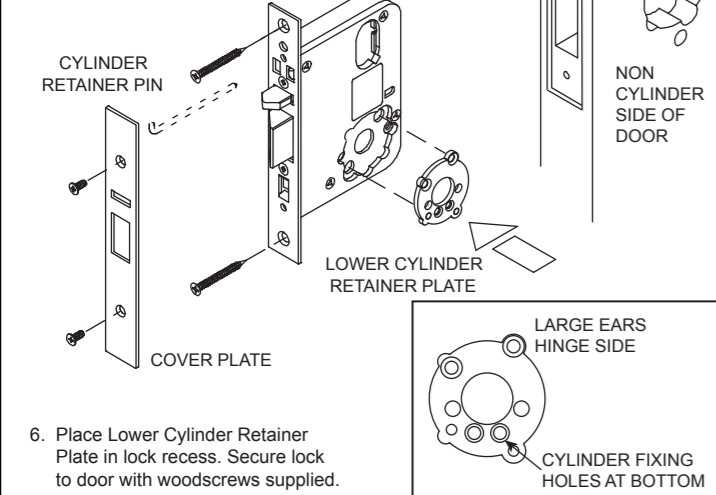


- Determine hand of lock required from hand of door chart above.
- All Lockwood 3570 Series Mortice Locks with Dual entry cylinders are mounted in accordance with these instructions. Disregard instructions referring to the features not required. Important : Before drilling door, ensure correct hand is being installed. NOTE: CASE DOES NOT need to be opened, to change HAND or FUNCTION of LOCK.

- HANDING OF LOCK**
- Determine hand of lock required from above hand of door chart.
  - Rotate bolt head to suit latching direction.

## 1 PREPARE DOOR FOR LOCK

1. Establish height that lockset will be on door and mark centreline of door thickness on door edge.
2. Place template on door and align centreline on template with centreline on door. Mark and drill mortice.
3. Ease out mortice cavity where necessary.
4. Insert lock in mortice and scribe around front plate for size of recess. Remove lock from mortice and chisel recess 4mm deep to receive front and cover plate. Cover plate must be flush with edge of door.
5. ENSURE lock is removed from MORTICE cavity. Fold template and align EDGE A with bottom of coverplate recess. Establish holes required to suit lock furniture, mark hole centres LOCK accurately and drill holes.



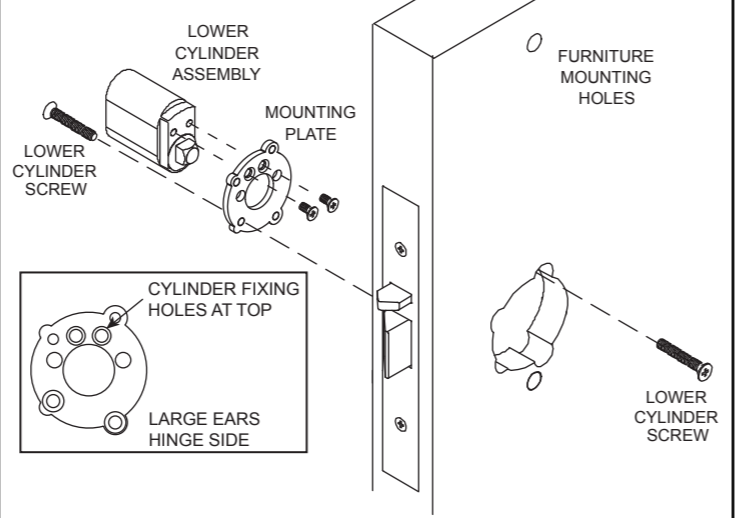
6. Place Lower Cylinder Retainer Plate in lock recess. Secure lock to door with woodscrews supplied.

## 2 MOUNTING OF UPPER CYLINDER

1. Using a small flat screwdriver, lever out Cylinder Hole Plug where fitted and insert Cylinder.
2. Secure Cylinder with Retainer Pin, ensuring pin is flush with front plate.
3. Install Cover plate and secure with 2 M4 screws to lock body.

## 3 MOUNTING OF LOWER CYLINDER

1. Assemble lower cylinder to mounting plate with 2 screws.
2. Install Lower Cylinder Assembly to lock and secure with screws supplied.

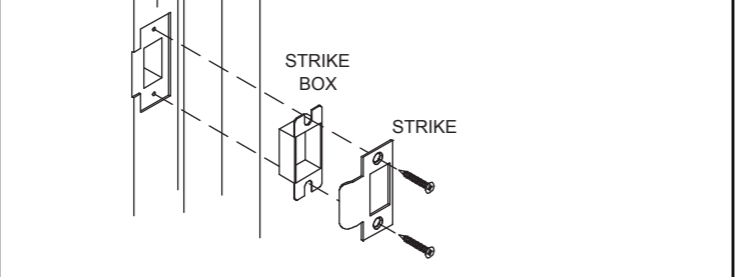


## 4 INSTALL FURNITURE

1. Attach door furniture with screws provided.
- NOTE : - For brass 1000 series, cut screws to length (Door thickness + 13mm)  
 - For aluminium 2000 series, screws supplied suit 35 - 45mm door thickness.  
 For doors 45 - 55mm order screws 2000-208

## 5 MOUNTING STRIKE

1. Mark strike position in jamb edge directly opposite latch bolt. Mark out door frame for strike.
2. Mortice door frame for strike box and strike. Bolt recess to be 15mm Deep in door frame.
3. Screw strike and strike box to door frame with two screws supplied.

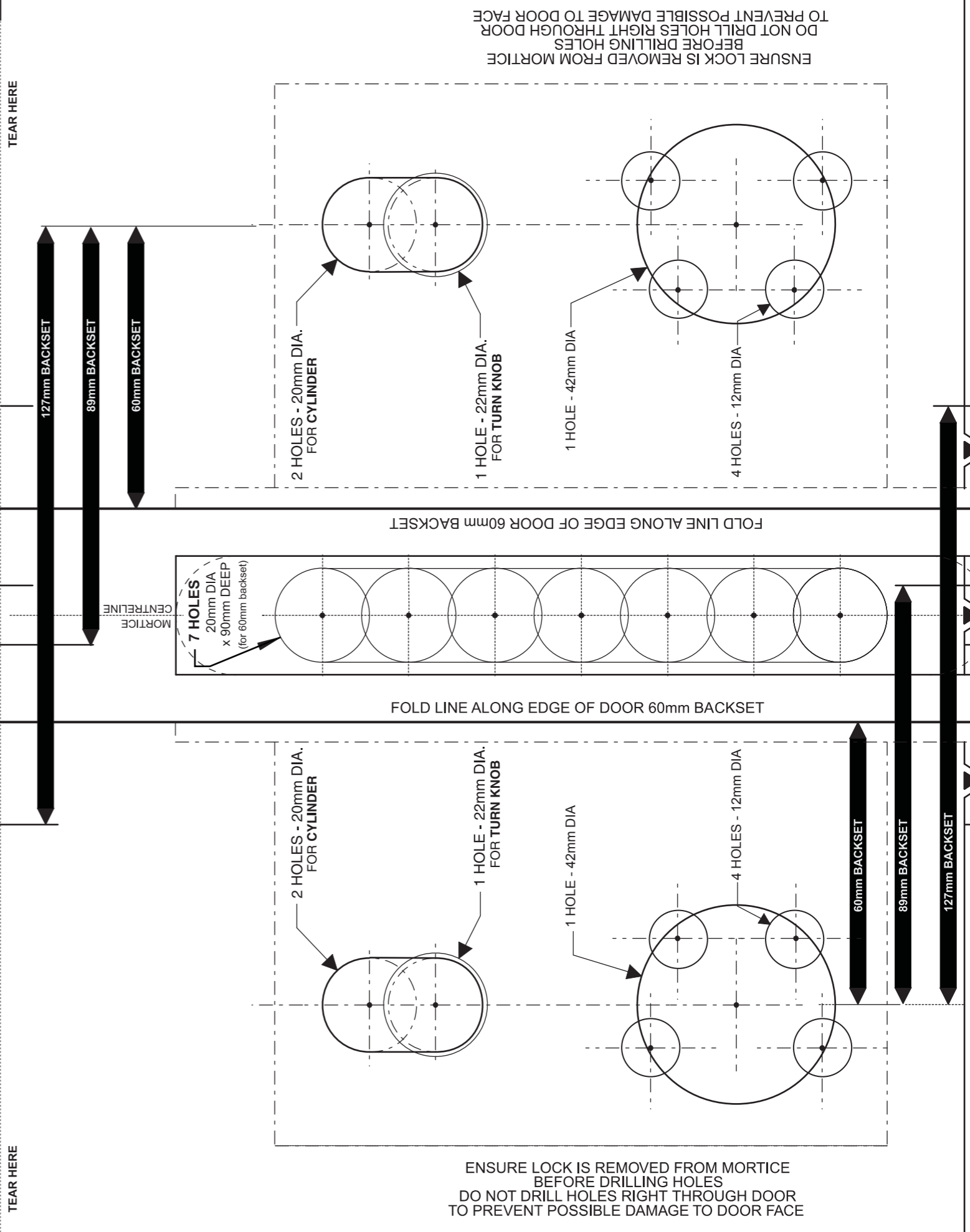


## ASSA ABLOY LOCKWOOD GUARANTEE

ASSA ABLOY Australia Pty Limited ("ASSA ABLOY") warrants its Lockwood products against defects in workmanship and materials, subject to the limitations and exclusions set out in this Warranty. If, within the normal working life of a product, it is found to be defective, and none of the limitations and exclusions set out in this Warranty apply, ASSA ABLOY will supply the same or equivalent product free of charge. This is the only remedy granted by ASSA ABLOY under this Warranty. **Limitations:** All electrical and electronic components used in ASSA ABLOY's Lockwood range of products (excluding batteries) are guaranteed for a period of 12 months from the date of proof of purchase, unless stated otherwise. **Exclusions:** This Warranty does not cover: 1. Damage to or malfunction or failure of the Lockwood product caused or contributed to by: (a) improper installation or failure to follow fitting instructions; (b) improper maintenance; (c) fair wear and tear; (d) any modification or repair which has not been authorized by ASSA ABLOY; (e) use of substitute or replacement parts or cylinders other than genuine ASSA ABLOY parts or cylinders; or (f) use of batteries other than those specified by ASSA ABLOY. 2. The cost of: (a) removal and/or replacement of the Lockwood product; (b) freight and/or travelling time; (c) replacement batteries; or (d) any modification or repairs to a Lockwood product, unless authorised by ASSA ABLOY. 3. Damage to or deterioration of the plated finishes Florentine Bronze, Architectural Bronze, Polished Brass, Gold and Satin Brass, which are classified as soft finishes, and are subject to deterioration under some environmental conditions. 4. Personal injury, property damage or economic loss, however caused.

**Symmetry™ 5 Year Finish Warranty:** ASSA ABLOY Australia Pty Limited will replace five-year branded Symmetry product if within five years from the proven date of purchase it tarnishes, discolours or corrodes when properly installed and subject to no more than fair wear and tear.

**Symmetry™ Everbrass Warranty:** Everbrass product is coated both on the exterior and interior surfaces with a lifetime anti-tarnish finish. ASSA ABLOY Australia Pty Limited will replace Everbrass branded product if it corrodes, tarnishes or discolours when properly installed and subject to no more than fair wear and tear. This Warranty is in addition to and not in substitution for any rights of the purchaser under the Trade Practices Act and state or territory legislation.



ENSURE LOCK IS REMOVED FROM MORTICE BEFORE DRILLING HOLES DO NOT DRILL HOLES RIGHT THROUGH DOOR TO PREVENT POSSIBLE DAMAGE TO DOOR FACE

ENSURE LOCK IS REMOVED FROM MORTICE BEFORE DRILLING HOLES DO NOT DRILL HOLES RIGHT THROUGH DOOR TO PREVENT POSSIBLE DAMAGE TO DOOR FACE