

P/No. 3870-5221
30621 07/11

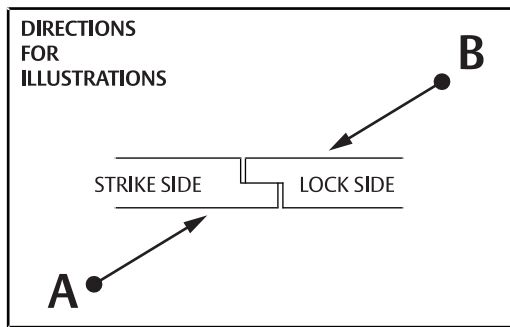
All Lockwood 3P70 Series Rebate Mortice Lock Kits are to be mounted in accordance with this instruction and in conjunction with the standard instructions supplied with the LOCK.

MORTICE INSTRUCTION

1. Place LOCK instruction template on door. Mark and drill mortice to desired BACKSET depth.
2. Ease out mortice where necessary.
3. Place lock through SPACER and insert lock in mortice, scribe around spacer for size of recess. Remove lock from mortice and chisel out recess to receive spacer. Faceplate must be flush with protruding edge of door.

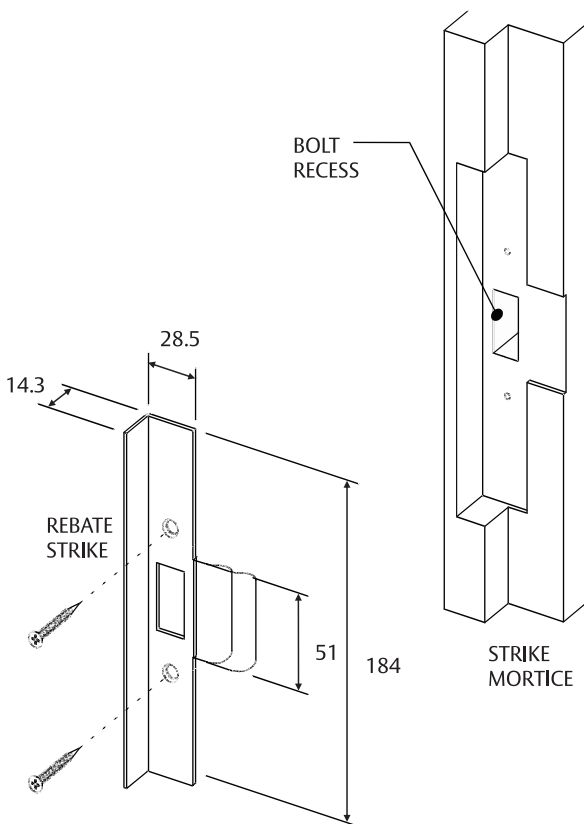
MOUNTING STRIKE

1. Mark out door frame for strike.
2. Mortice door frame for strike.
N.B. Strike to be flush with face of frame. Bolt recess to be 15mm deep in door frame.
3. Screw Strike to door frame with woodscrews provided.

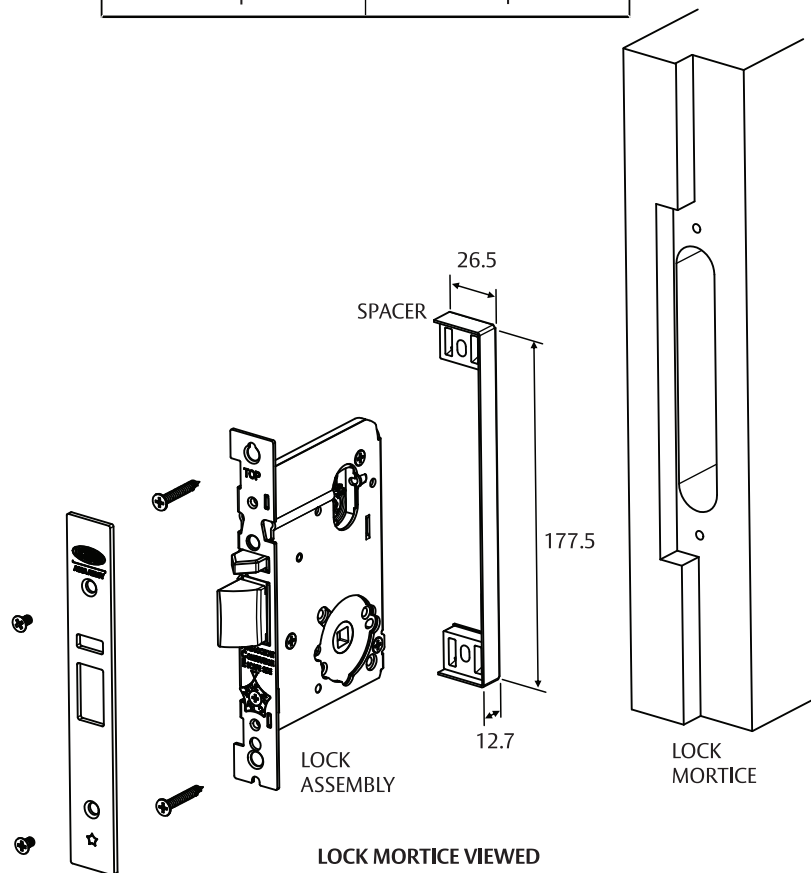


Various Strikes for Rebate Kits

LATCHING REBATE 3P72-RK32	LATCHING REBATE 3P72-RK46
32mm Lip Strike	46mm Lip Strike



LOCK MORTICE VIEWED IN DIRECTION OF ARROW 'B'



LOCK MORTICE VIEWED IN DIRECTION OF ARROW 'A'

DEADLOCK ASSEMBLIES NOT ILLUSTRATED