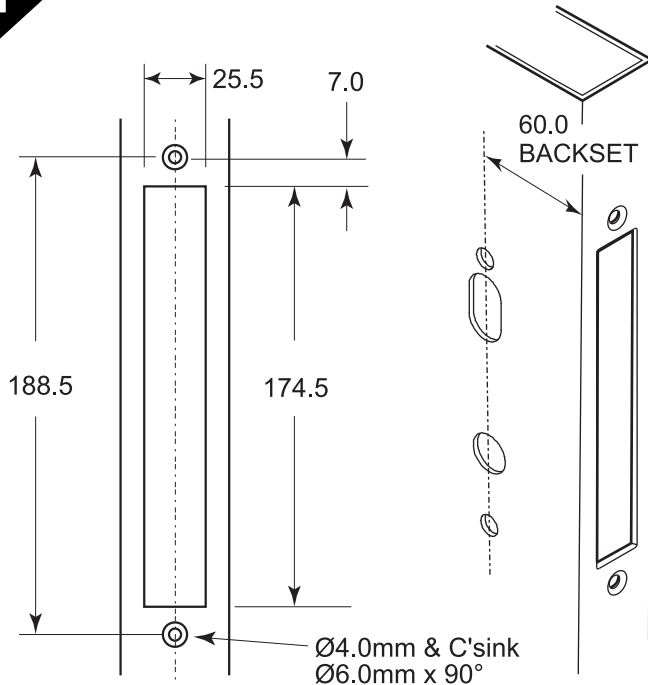


3570 SERIES MORTICE LOCK INSTALLATION INSTRUCTIONS WIDE ALUMINIUM STYLE DOORS

Part No. 3570AF-21 30621 0508

1

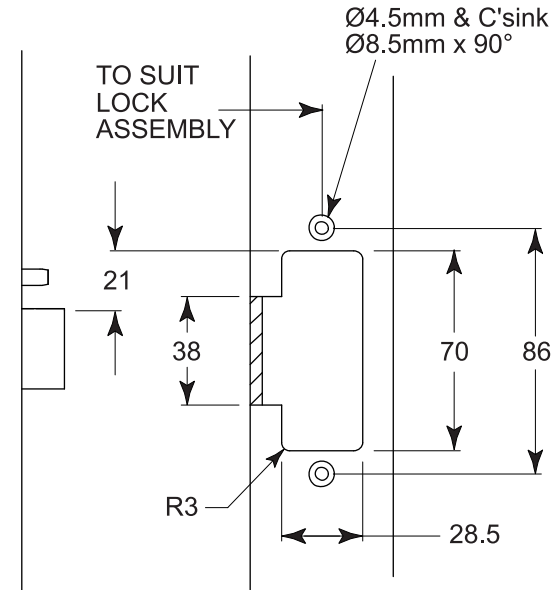
PREPARE DOOR FOR LOCK



- Establish height at which lockset will be on door.
- Cut COVER PLATE window as per dimensions above.
- Using instructions and template from main instruction drill the holes for the cylinder, furniture etc.

2

MOUNTING OF STRIKE



- Prepare door jamb cutout as above.
- Fit strike to strike box and then fit to frame and secure with 2 screws.

