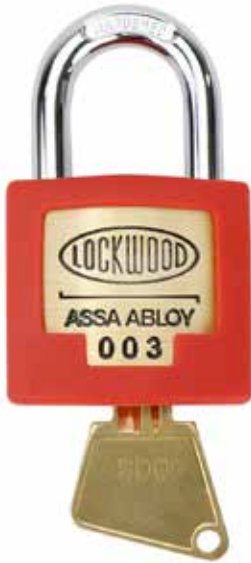


Lockwood 325/35/123/003



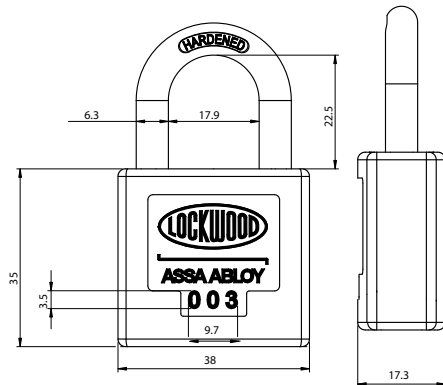
Product description

The Lockwood 325/35/123/003 padlock features a solid brass body with a red silicon jacket, coded to fire key code 003.

325/35/123/003 padlock is fully AS 4428.17:2024 compliant.

Overview

- **AS 4428.17-2024** compliant
 - Design and tested to AS 4145.4-2002
- Physical security: **SP4**
- Durability: **D2** (25,000 key operation cycles)
- Corrosion resistance: **C3** (96 hrs)
- Keying security: **K1** (single code: 12432)
- AS 4428.17 marking on the packaging
- Latching function



Technical data

key system	Fire key code 003
Body	Padlock body: Brass extrusion Jacket: UV stabilized silicon rubber (red)
Body size	38 x 17 x 35 (width x thickness x height)
Shackle	Diameter: 6mm, 23 mm height Material: hardened steel

Maintenance

This padlock should be lubricated with INOX MX3 or similar, at least once a year or when there are signs of roughness in use.

Available as

Item Number	Description
325/35/123/003	Padlock -003