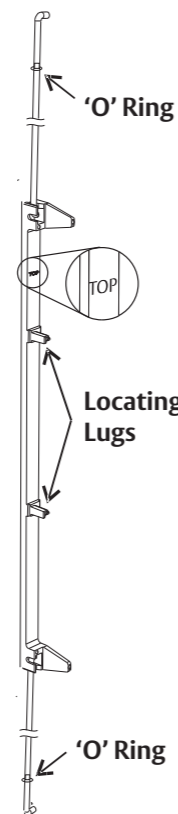
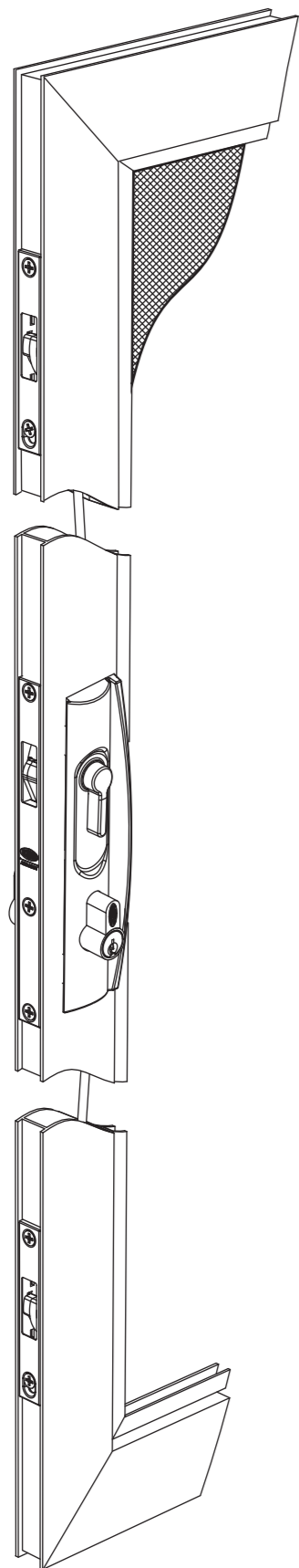


INSTALLATION INSTRUCTIONS

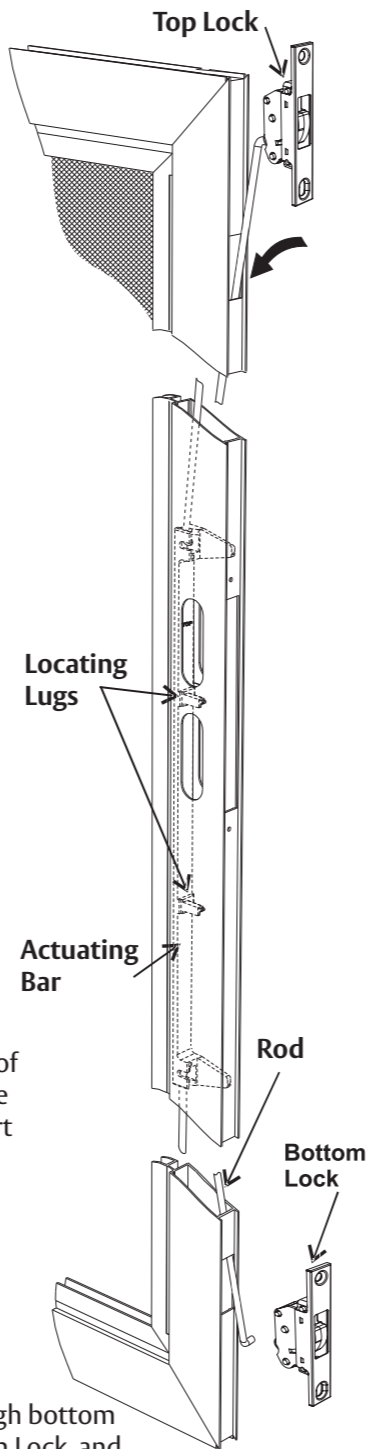
Part No. 8653-221 Iss. B 0916



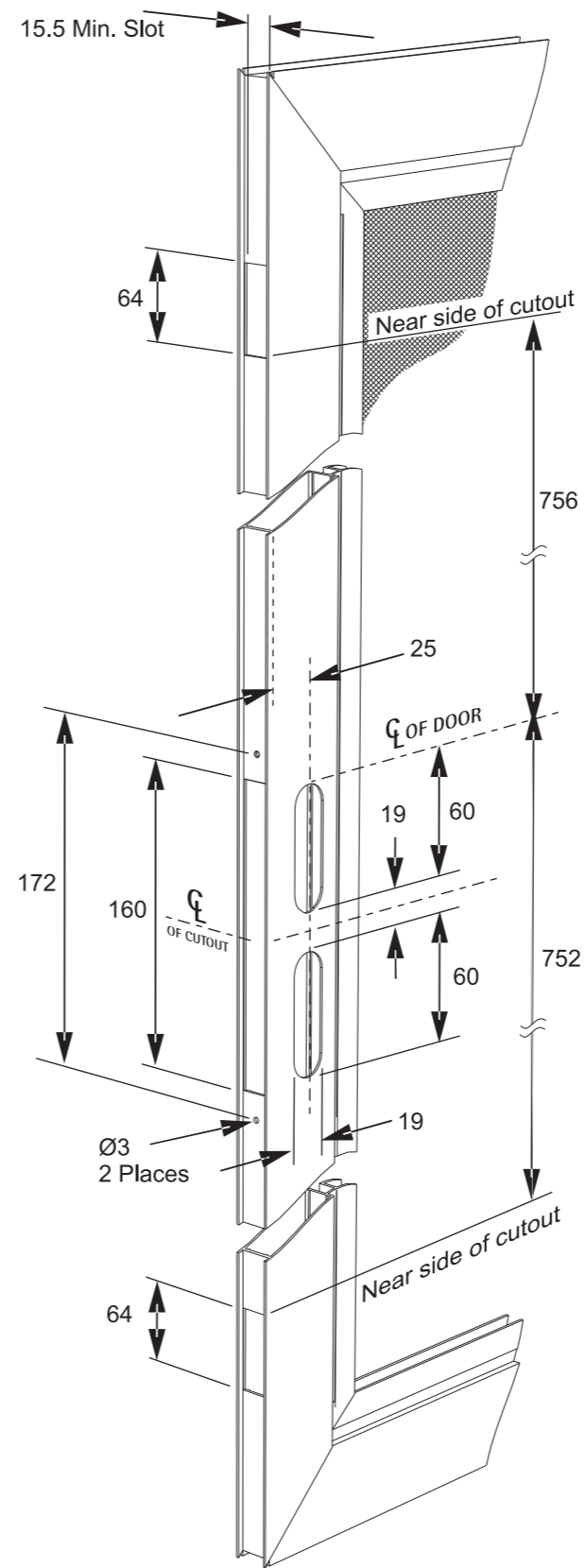
Ensure Actuating bar and Rods are assembled as shown prior to assembly to the door frame. With the 'TOP' mark facing the top of the door.

Keeping the Locating Lugs of the Actuating bar facing the front edge of the stile, insert the rod assembly through the top cut-out, and slide it through the door section. With the Top lock in the locked position, connect the rod and push into place.

Pull bottom rod end through bottom cut-out. Connect to Bottom Lock, and push into place.



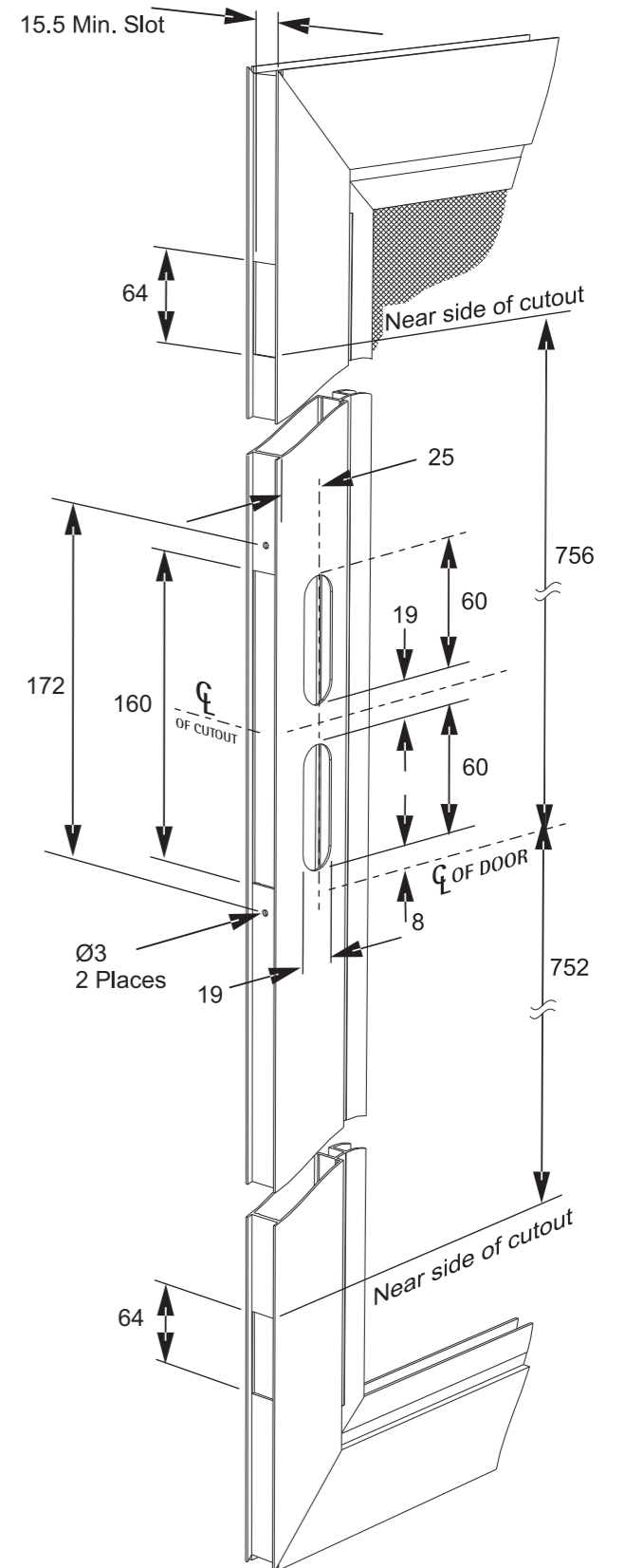
Mounting of the Handle below the centreline



Both sides of the door stile must be cut out to the dimensions given. Start with the centreline of the door.

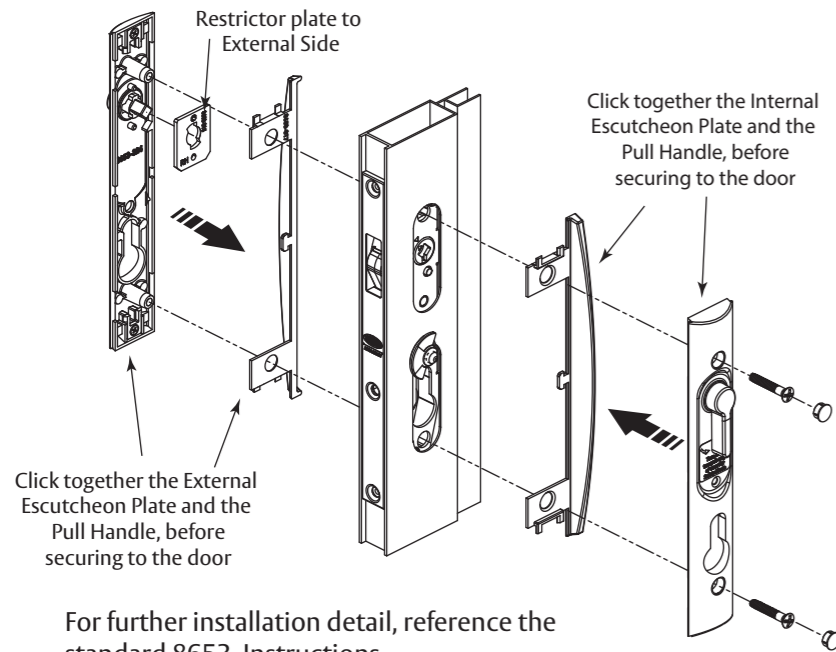
Mounting of the Handle above the centreline

Both sides of the door stile must be cut out to the dimensions given. Start with the centreline of the door.



2

After ascertaining the handing configuration required, simply click the desired handle plates together and install the operating levers and external restrictor plate as required. Then secure the furniture plates to the door section using the two 25mm screws & plugs supplied.



For further installation detail, reference the standard 8653 Instructions

4

Installation of Top Auxiliary Lock

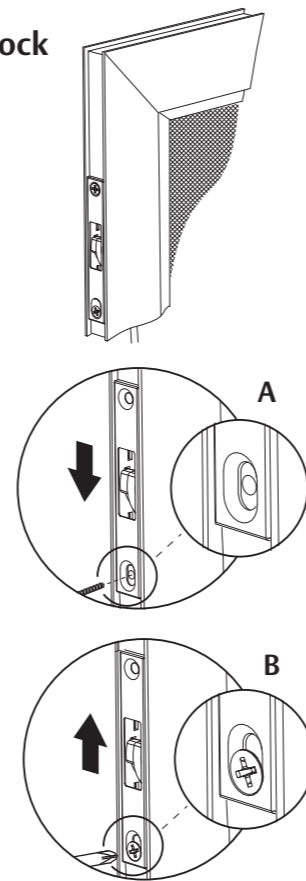
Step A Ensure the lock is in the Red "Locked" position. Gently push the top lock until it stops.

Drill a Ø3mm hole in the centre of the slot, and loosely fit the first fixing screw.

Step B Push the lock towards the top of the door, tighten the first screw.

Check the beak position as per Step 4. Unlock and lock the main lock to check operation.

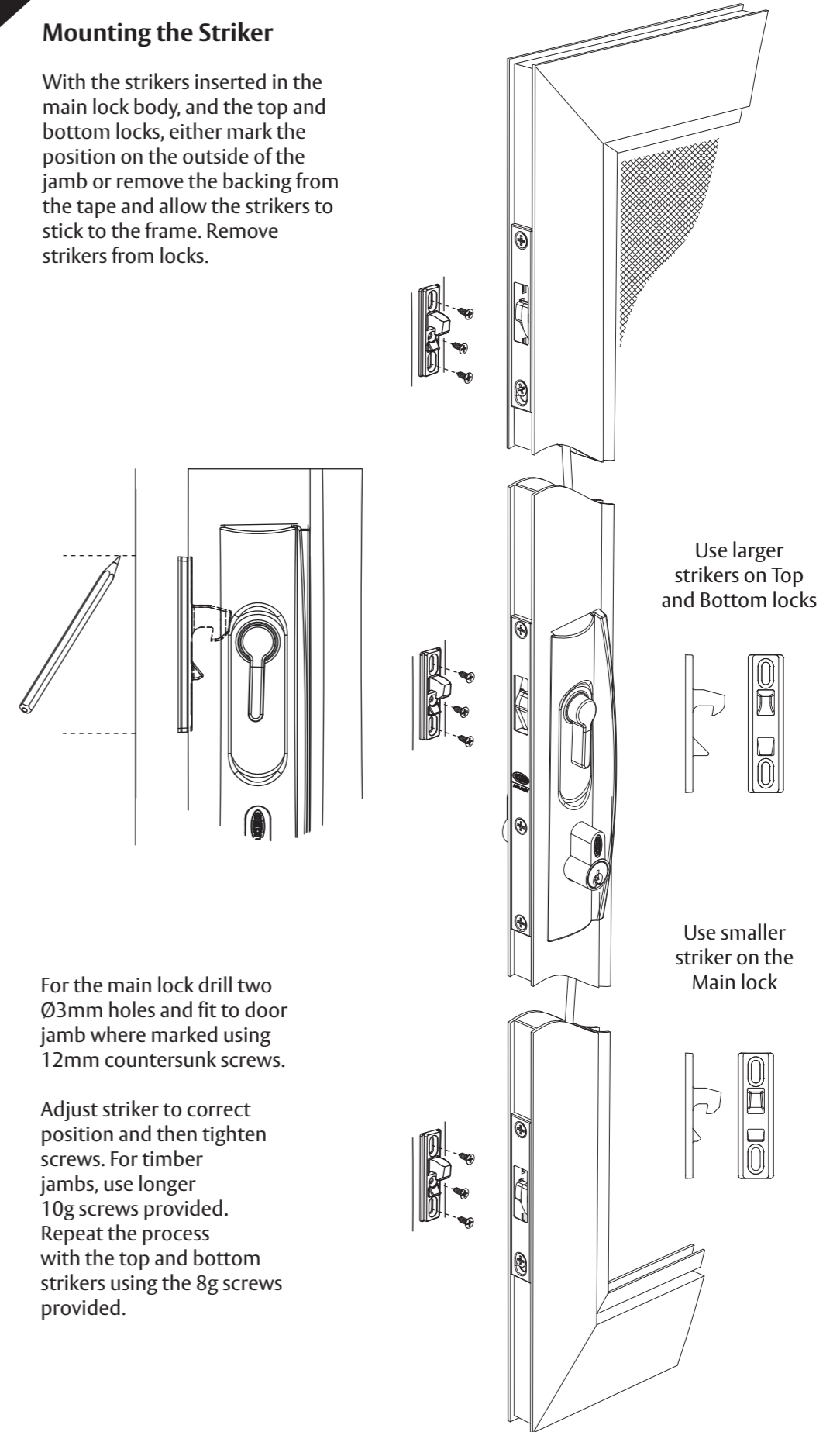
Ensure the lock is in the Red "Locked" position, drill and fasten the second screw.



6

Mounting the Striker

With the strikers inserted in the main lock body, and the top and bottom locks, either mark the position on the outside of the jamb or remove the backing from the tape and allow the strikers to stick to the frame. Remove strikers from locks.



For the main lock drill two Ø3mm holes and fit to door jamb where marked using 12mm countersunk screws.

Adjust striker to correct position and then tighten screws. For timber jambs, use longer 10g screws provided. Repeat the process with the top and bottom strikers using the 8g screws provided.

3

Installation of Bottom Auxiliary Lock

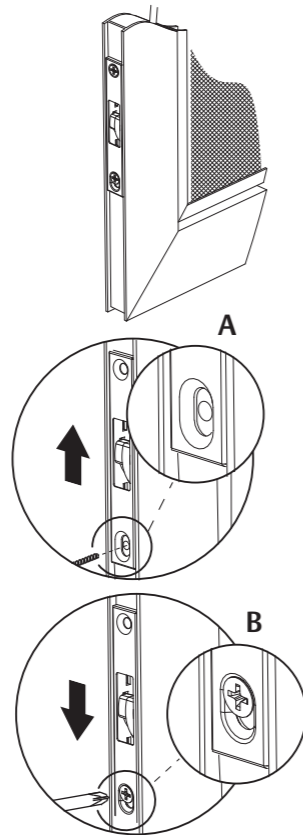
Step A Ensure the lock is in the Red "Locked" position. Gently push the bottom lock until it stops.

Drill a Ø3mm hole in the centre of the slot, and loosely fit the first fixing screw.

Step B Push the lock towards the bottom of the door, tighten the first screw.

Check the beak position as per Step 4. Unlock and lock the main lock to check operation.

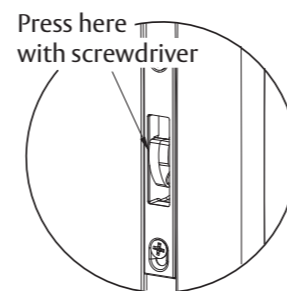
Ensure the lock is in the Red "Locked" position, drill and fasten the second screw.



5

Checking of Top and Bottom Auxiliary Locks

For correct function, the beak should remain secure when pressure is applied in deadlocked state.



To check correct function, deadlock the door and apply downwards pressure with a screw driver, in position shown. If the beak releases, the lock is now out of sync. Re-synchronise the lock and adjust the lock slightly downwards. Deadlock, and repeat test until the beak is secure.

Re-synchronising the Lock

If the lock is out of sync and cannot be operated, remove the furniture plates and indicator assembly. Insert a small flat head screw driver into the indicator mechanism as shown. Turn the mechanism in the key locking direction. Check the operation of the lock.

