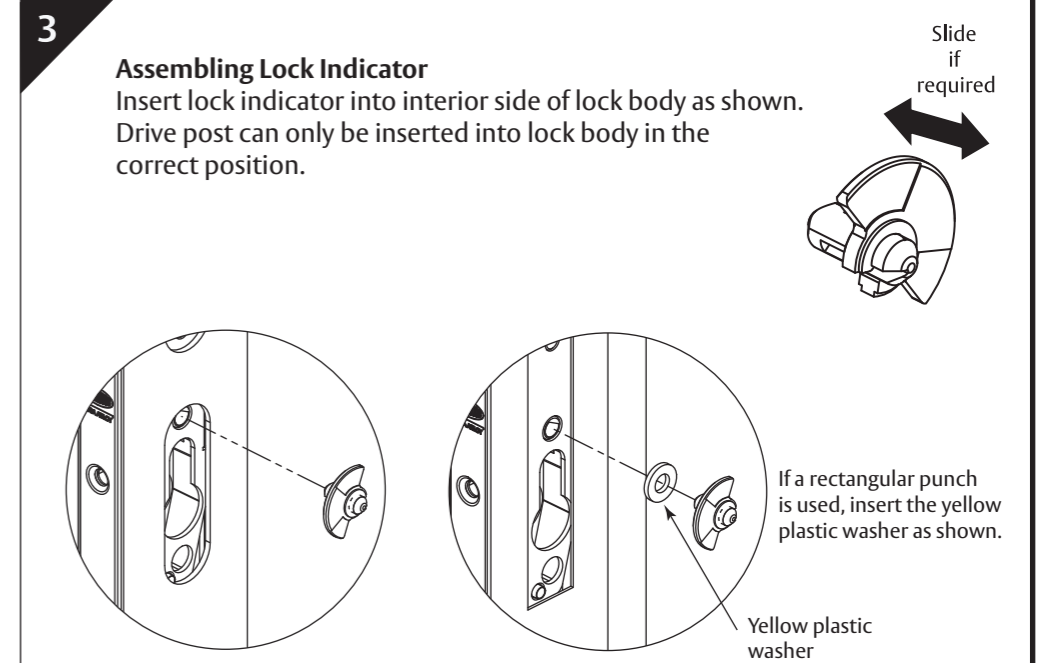
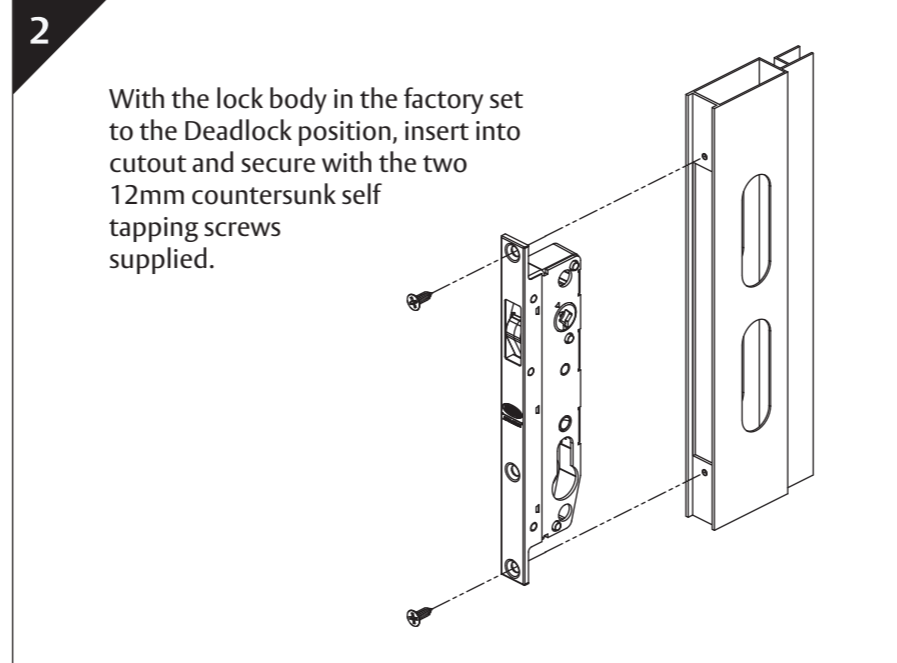
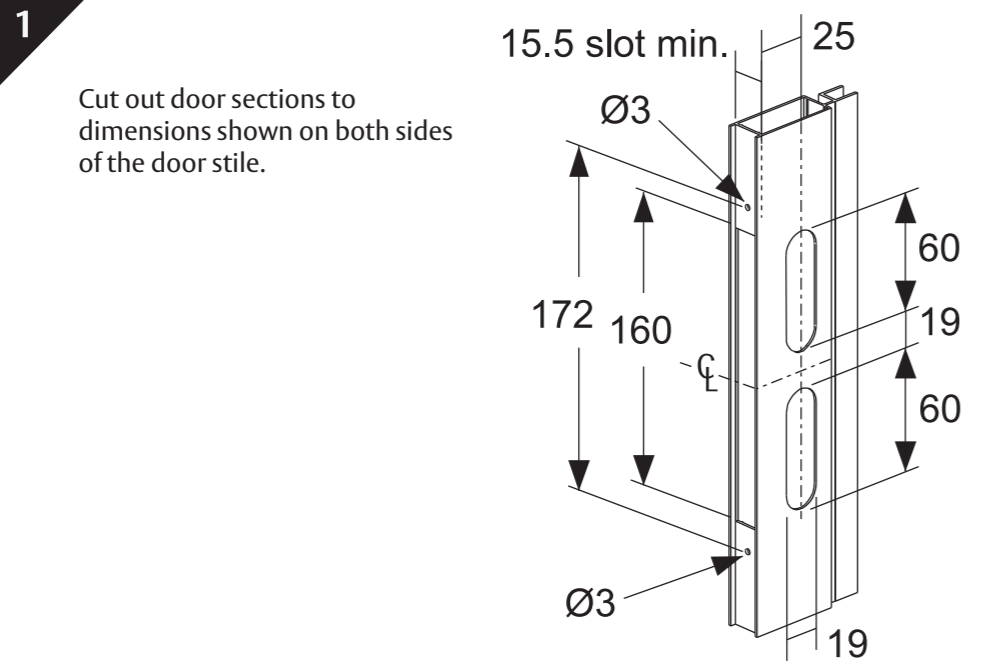


Part No. 8653-121 Iss B 0916



4 HANDING CONFIGURATION

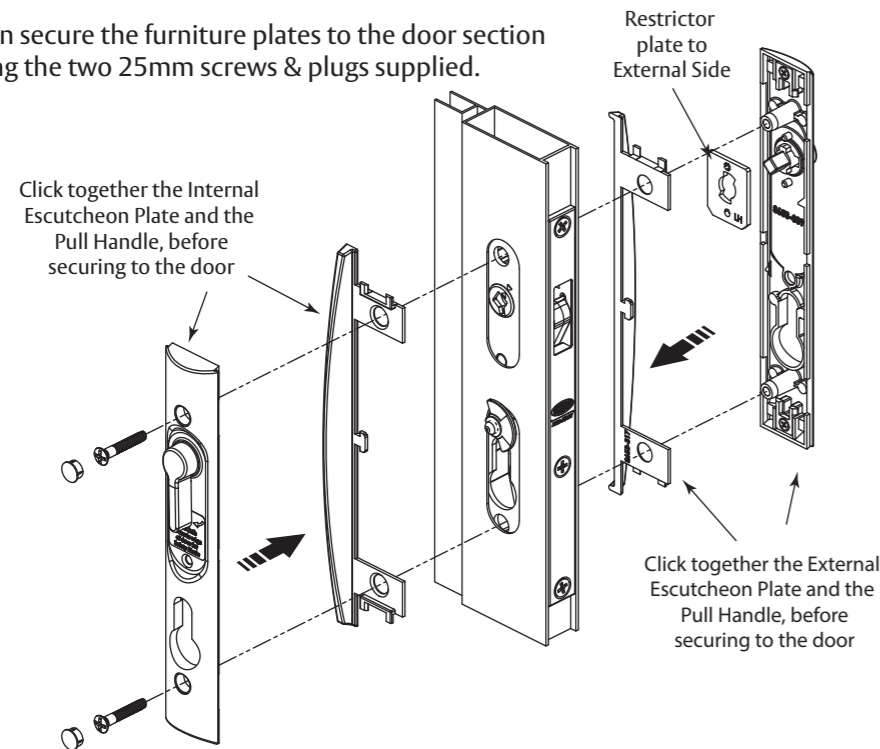
With the lock body and the lock alert indicator now installed within the door, the furniture plate assembly can be installed. Standing on the external side of the door, ascertain the handing required for the door assembly, and then use the following configuration table as per below. (Turn over for further assembly details)

HANDING - LEFT HAND DOOR		EXTERNAL				INTERNAL					
OUTSIDE VIEW											
				"E"		"I"					
HANDING - RIGHT HAND DOOR		EXTERNAL				INTERNAL					
OUTSIDE VIEW											
				"E"		"I"					

5

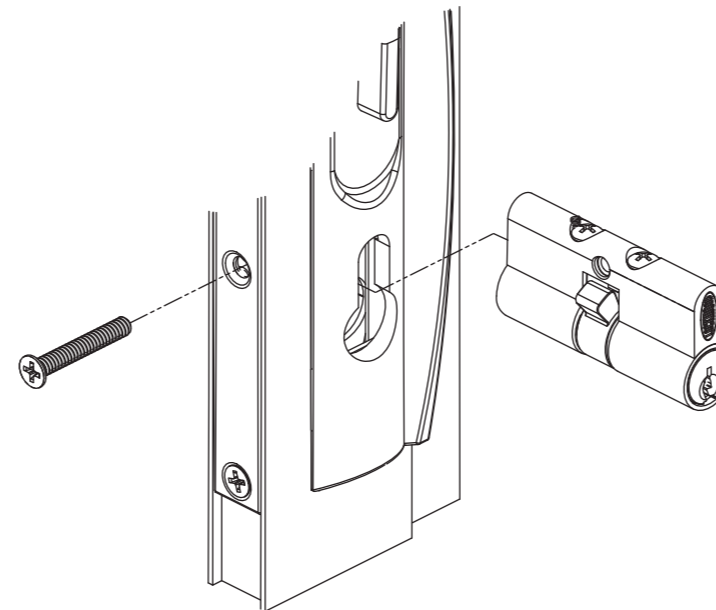
After ascertaining the handing configuration required, simply click the desired handle plates together and install the operating levers and external restrictor plate as required.

Then secure the furniture plates to the door section using the two 25mm screws & plugs supplied.

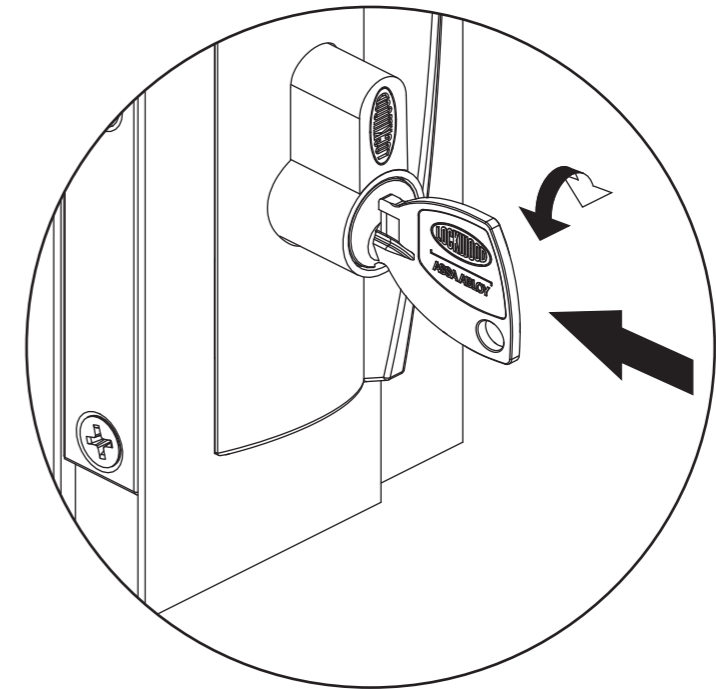
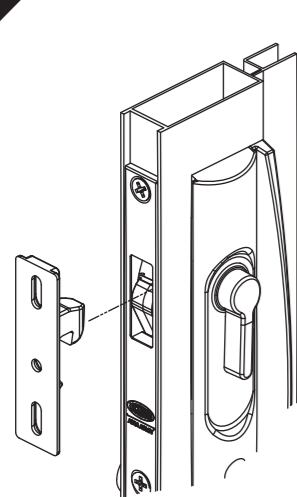

6

Position the cylinder assembly in the lock body so that the cam rotates towards the front end of the door. Secure with 32mm countersunk metal thread screw supplied.

Do not overtighten this screw, as it may jam the locking mechanism.


7
Passage Mode - Green

With the cylinder assembled, insert the key from exterior side and rotate to the unlocked position - "Passage Mode". The indicator will show Green, and both levers will be free to operate.


8


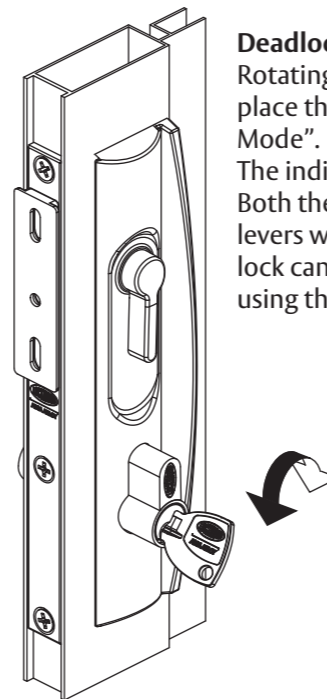
Insert striker into lock body to test operation.


Privacy Mode - Yellow

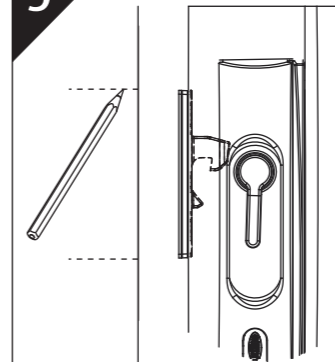
Rotating the key 90° will place the lock into "Privacy Mode". The indicator will show Yellow. The external lever will be locked and the internal lever free to operate.

Snib Operation

Alternatively, turn the internal lever towards the door jamb to also place the lock in Privacy Mode.


Deadlock Mode - Red

Rotating the key 180° will place the lock into "Deadlock Mode". The indicator will show Red. Both the external and internal levers will be locked, and the lock can only be unlocked by using the key.

9

Mounting the Striker

With the striker inserted in the lock body, mark the position on the outside of the jamb, or remove the backing from the tape and allow the striker to stick to the frame. Remove striker from the lock body.

Drill two Ø3mm holes to the top and bottom fixing points, and fit to door jamb where marked using 12mm countersunk screws.

Adjust striker to correct position and then drill final Ø3mm hole in centre and secure. For timber jambs use longer screws provided.

