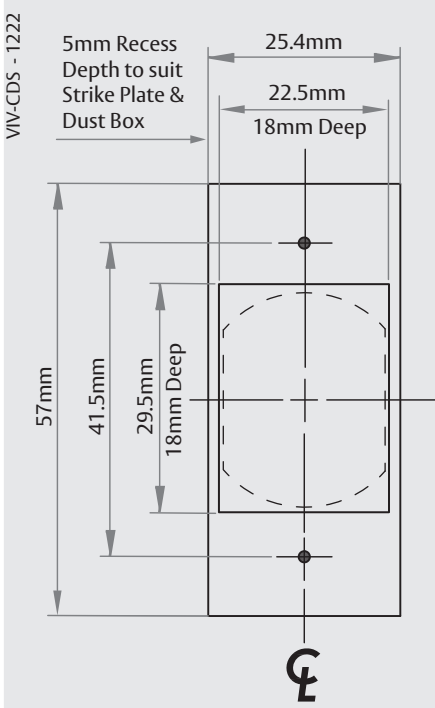
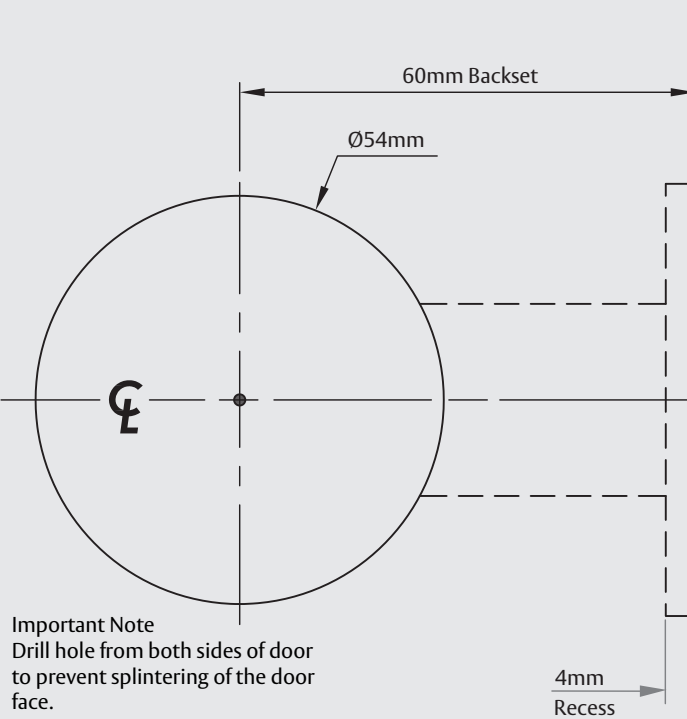


## Privacy set strike template



## Door and pull preparation template



**Important Note**  
Drill hole from both sides of door to prevent splintering of the door face.

Fold here on door edge

Cut along dashed line

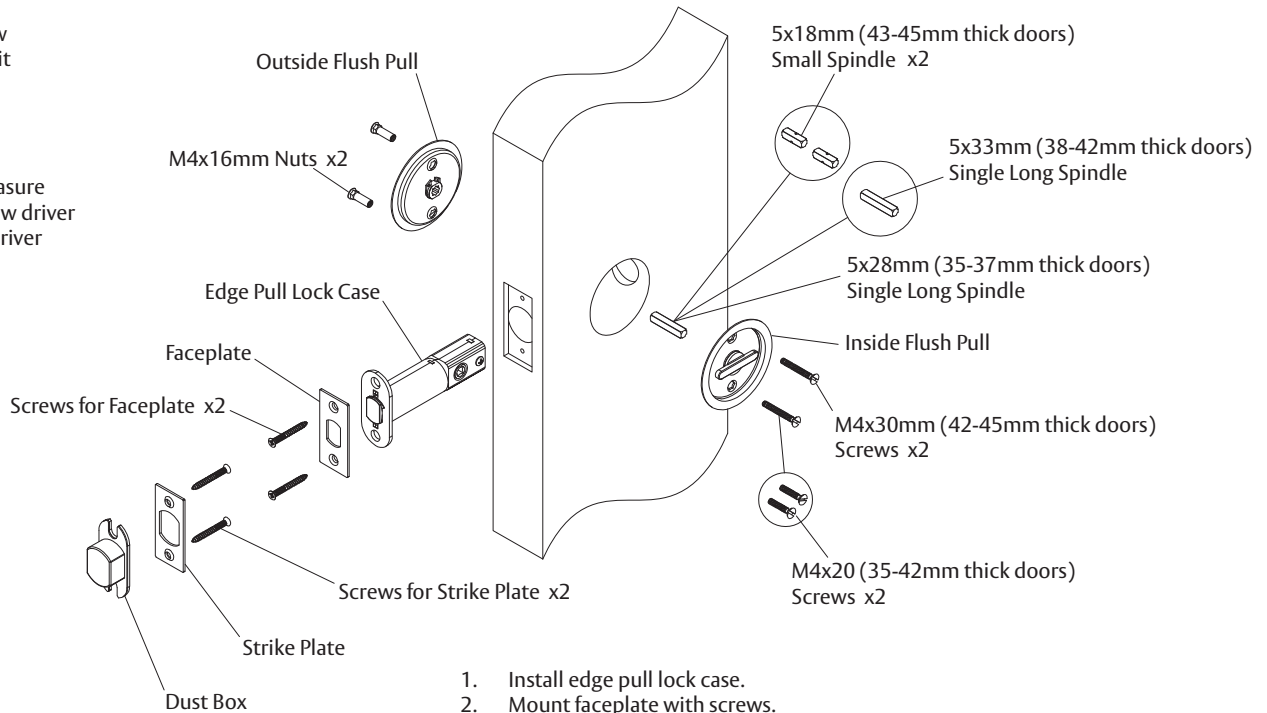
Fold on door edge then find centre of your door thickness. Mark and drill Ø25mm latch hole.

## Privacy Set door and strike preparation and pull installation

Fold here on door edge

### Tools Required

- Ø54mm Hole saw
- Ø25mm Spade bit
- Ø2mm Drill bit
- Power drill
- 25mm Chisel
- Pencil
- Ruler or tape measure
- Phillips head screw driver
- Flat head screw driver



1. Install edge pull lock case.
2. Mount faceplate with screws.
3. Install Spindle:  
For 35-37mm door thickness, please use 5x28 single long spindle.  
For 38-42mm door thickness, please use 5x33mm single long spindle.  
For 43-45mm door thickness, please use both 5x18mm small spindles.
4. Install outside flush pull with coin release and install the spindle into the thumb-turn hub.
5. Install inside flush pull and make sure spindle is in the thumb-turn recess.
6. Install outside nuts.
7. Install inside screws. Use proper screws based on the door thickness. (Do not use power tools for trim screw installation.)
8. Install the dust box.
9. Install the strike plate with screws.

