



ASSA ABLOY

# LOCKWOOD 412 SERIES

*Safety Lockout Padlock*





The Lockwood 412 series padlock is an updated version of the popular Lockwood 312 series padlock. Available in a wide range of colours, it is perfect for safety lockout applications. Multiple departments or jobs can be easily identified using the brightly coloured jackets.

With its rugged brass construction, double ball locking mechanism and stainless steel shackle, the 412 padlock is built to withstand the harshest environments, while maintaining a compact footprint of 30mm.

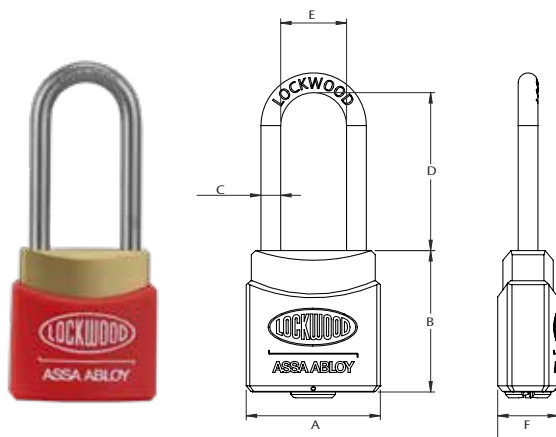
New legally protected keyways exclusive to the 412 padlock are available, to protected against unauthorised key duplication well into the future.

Featuring a redesigned 6-pin tumbler mechanism, the 412 safety lockout improves over its predecessor with enhanced and more reliable coding capabilities.

Building on a foundation of trusted and reliable design, the Lockwood 412 safety lock out padlock is ideal for securing energy sources, machinery or hazardous zones. Elevate your safety protocols with a dependable solution from Lockwood.



**Product Dimensions:**



A	B	C	D	E	F
32	34	4.8	38 or 50	16	15

## CONSTRUCTION:

- Padlock – Solid brass
- Shackle – Stainless steel
- Key – Brass Nickel plated

## FUNCTION:

- Spring loaded shackle, double ball locking
- Available with latching function (L) – key can be removed from padlock in open position
- Available with deadlocking function (D) – key is retained when shackle is open, and can only be removed when shackle is in lock position

## SHACKLE:

4.8mm diameter; 38mm and 50mm lengths available

## CYLINDER:

Custom integrated 6-pin cylinder

## PROFILE:

Launching with 'F' profile, additional profiles coming soon

## CODING:

- 6-pin tumbler mechanism
- Theoretical coding capacity 32,000+ codes per profile
- Available as keyed to differ (KD), keyed alike (KA) or unassembled kit (LS)
- Master keying not available
- Pin system redesigned – 312 components cannot be used
- Key card

## CUSTOMISATION:

Coloured jackets available

- Red (Do not Operate)
- Orange
- Yellow
- Green
- Blue
- Purple
- White
- Black
- Grey (**NEW**)
- Pink (**NEW**)

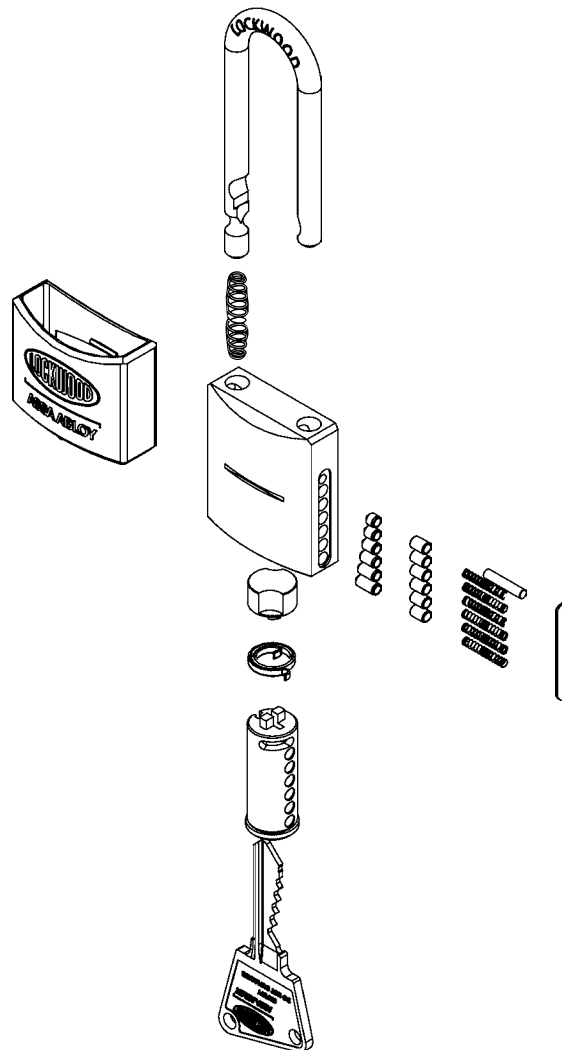
Laser etching available on one or both sides

## ASSEMBLY:

- Available as unassembled Locksmith kits (LS)
- Pin chambers are covered using pressed sealing strip – no pressed fit plugs

## CERTIFICATION:

- Designed and tested to Australian Standard AS4145.2:2008
- Security – Padlock: SP1
- Corrosion resistance: C3
- Durability: D2
- Keying Security: K5



**Lockwood** is the leading brand in the Australian locking industry. With an established reputation for high quality products, this iconic brand provides a wide range of locking solutions to residential housing, commercial building and industrial application markets. Lockwood is supported by an extensive distribution and after-sales support network. Our customers include retailers, architects, trade and industrial personnel, locksmiths and security dealers.

**ASSA ABLOY** is the global leader in door opening solutions, dedicated to satisfying end-user needs for security, safety and convenience.

**ASSA ABLOY** is represented in all major regions, in both mature and emerging markets, with leading positions in Australia, Europe and North America.

### **The Lockwood 25 Year Mechanical Warranty**

Our belief that we manufacture the finest premium products available in today's market place is backed by the Lockwood 25 Year Mechanical Warranty, ensuring that Lockwood continues to keep Australians safe by delivering security and peace of mind.

For warranty terms and conditions, please visit [www.lockweb.com.au](http://www.lockweb.com.au) or call **1300WARRANTY**

**ASSA ABLOY Australia Pty Ltd**  
235 Huntingdale Road  
Oakleigh, Victoria, 3166  
Australia

**1300 LOCK UP (1300 562 587)**  
[lockweb.com.au](http://lockweb.com.au)

**ASSA ABLOY New Zealand Ltd**  
6 Armstrong Road  
Albany, Auckland, 0632  
New Zealand

[info.nz@assaabloy.com](mailto:info.nz@assaabloy.com)  
Telephone +64 9415 7111  
[assaabloy.co.nz](http://assaabloy.co.nz)



#### **Disclaimer**

Whilst every effort has been made to ensure that the information (including product images and drawings) contained in this brochure is accurate at the time of publication, ASSA ABLOY Australia Pty Limited ("ASSA ABLOY") recommends that you consult ASSA ABLOY or its agents prior to placing an order to ascertain current information on specific products, as ASSA ABLOY reserves the right to make changes without notice. ASSA ABLOY will not be liable for any injury, loss or damage whatsoever, arising from any errors or omissions in the information contained in the brochure or arising from the use or application of the information contained herein. © 2024 copyright by ASSA ABLOY All rights reserved

SCAN THE QR CODE FOR  
MORE INFORMATION

